

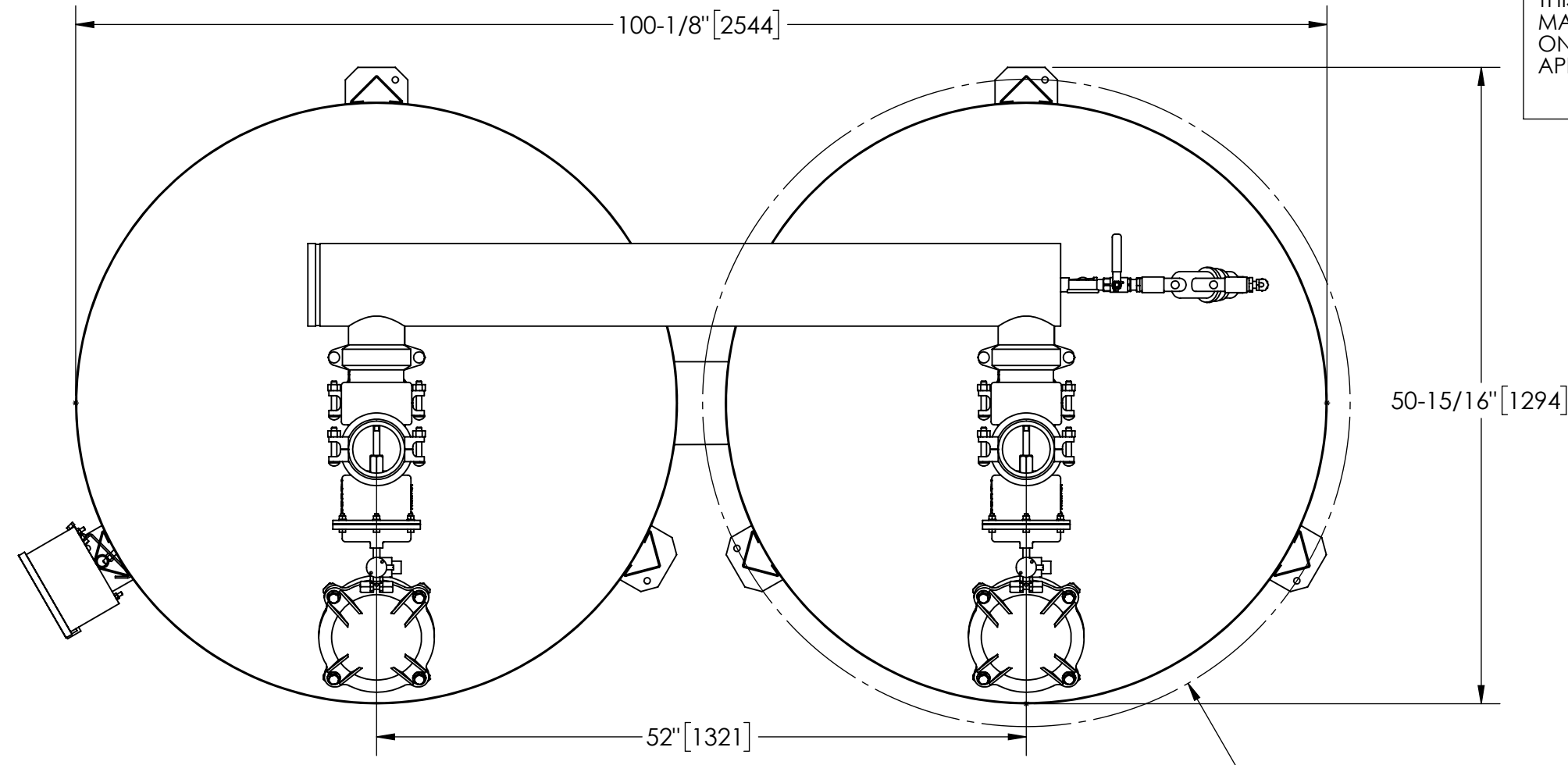
EXCEPT AS OTHERWISE PROVIDED BY CONTRACT, THIS DRAWING AND SPECIFICATIONS SHALL NOT BE REPRODUCED, COPIED OR USED AS THE BASIS FOR MANUFACTURE OR SALE OF MATTER DEPICTED HEREIN WITHOUT THE EXPRESSED WRITTEN PERMISSION OF THE CLAUDE LAVAL CORPORATION, OR ITS ASSIGNEES.

REVISIONS				
ECN	REV.	DESCRIPTION	DATE	APPROVED

THIS DRAWING HAS BEEN GENERATED AND IS MAINTAINED BY A CAD SYSTEM. CHANGES SHALL ONLY BE INCORPORATED AS DIRECTED BY AN APPROVED ENGINEERING CHANGE ORDER (ECO). PAPER COPIES ARE UNCONTROLLED.

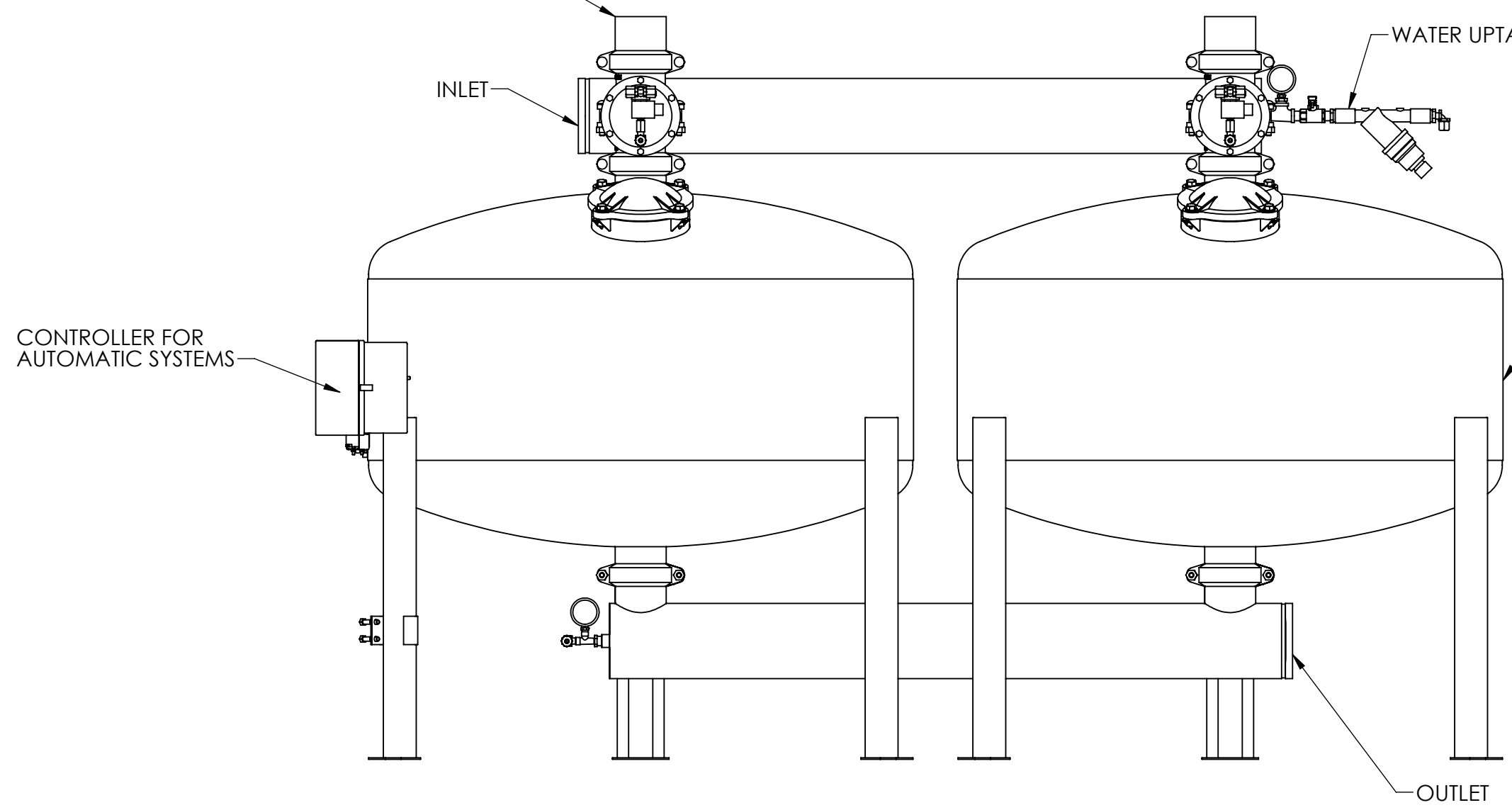
NOTES:

1. INLET & OUTLET ARE 6" GROOVED PIPE.
2. MAXIMUM PRESSURE: 80 psi (5.5 bar).
3. MAXIMUM TEMPERATURE: 100°F (37.8°C).
4. RATED FLOWRATE: 380-625 gpm (86-142 m³/hr).
5. FILTRATION AREA: 25.1 ft² (2.3 m²).
6. MEDIA SAND REQUIREMENT: 2600 lbs (1179 kg).
7. SYSTEM WEIGHT (WITHOUT SAND): 689 lbs (312.5 kg).
8. SYSTEM COMPONENTS SHIPPED LOOSE. FINAL ASSEMBLY BY OTHERS.

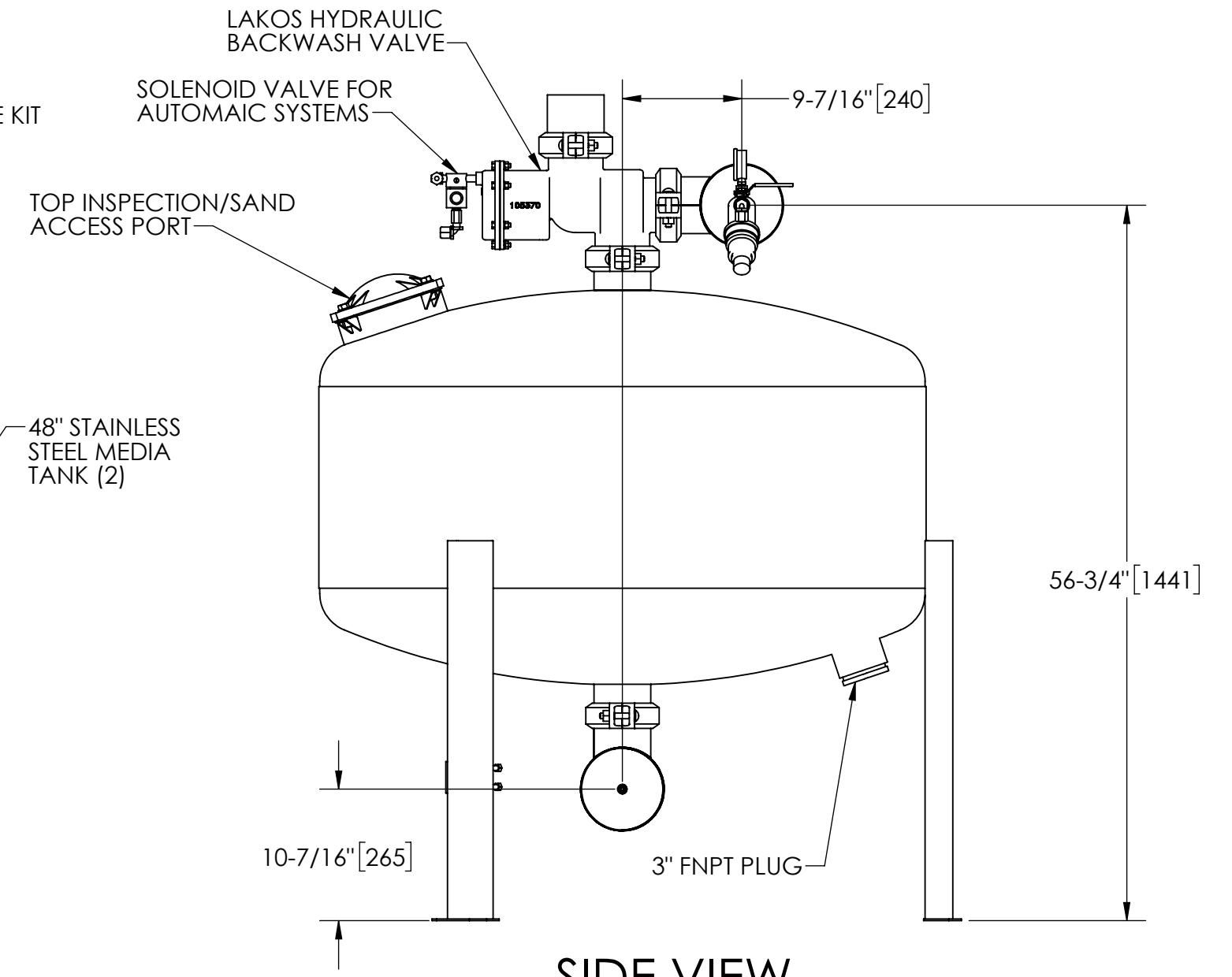


TOP VIEW

4" S/80 PVC GROOVED x SLIP NIPPLE PROVIDED FOR BACKWASH MANIFOLD CONNECTION (BACKWASH MANIFOLD NOT PROVIDED BY LAKOS)



FRONT VIEW



SIDE VIEW

SUBMITTAL DRAWING

This drawing is submitted for spatial consideration only. Do not pre-plumb to these dimensions.

UNLESS OTHERWISE SPECIFIED: DIMENSIONS ARE IN: INCHES (mm) TOLERANCES ARE:		ENGINEERED FOR: STANDARD		LAKOS		CLAUDE LAVAL CORP. FRESNO, CALIFORNIA 93727 WWW.LAKOS.COM	
FRACTIONS ± 1/4"	DECIMALS .XX ± .01 .XXX ± .005 .XXXX ± .0005	ANGLES ± 1/4°	APPROVALS	DATE	TITLE SST-4806-2A/I, SYSTEM 48" 2 TANK MEDIA, END FEED		
DO NOT SCALE DRAWING			DRAWN ES	09/14/15	SIZE C		
MATERIAL PER LAKOS SPEC			ENGR -	-	MODEL NO.		
FINISH AS ASSEMBLED			MFG -	-	DWG NO.		
WORK ORDER			QTY.	-	REV. A		
SCALE 1:24		EST. WT.		SHEET 1 OF 1			

DWG. NO. SST-4806-2A/I
SHEET A