

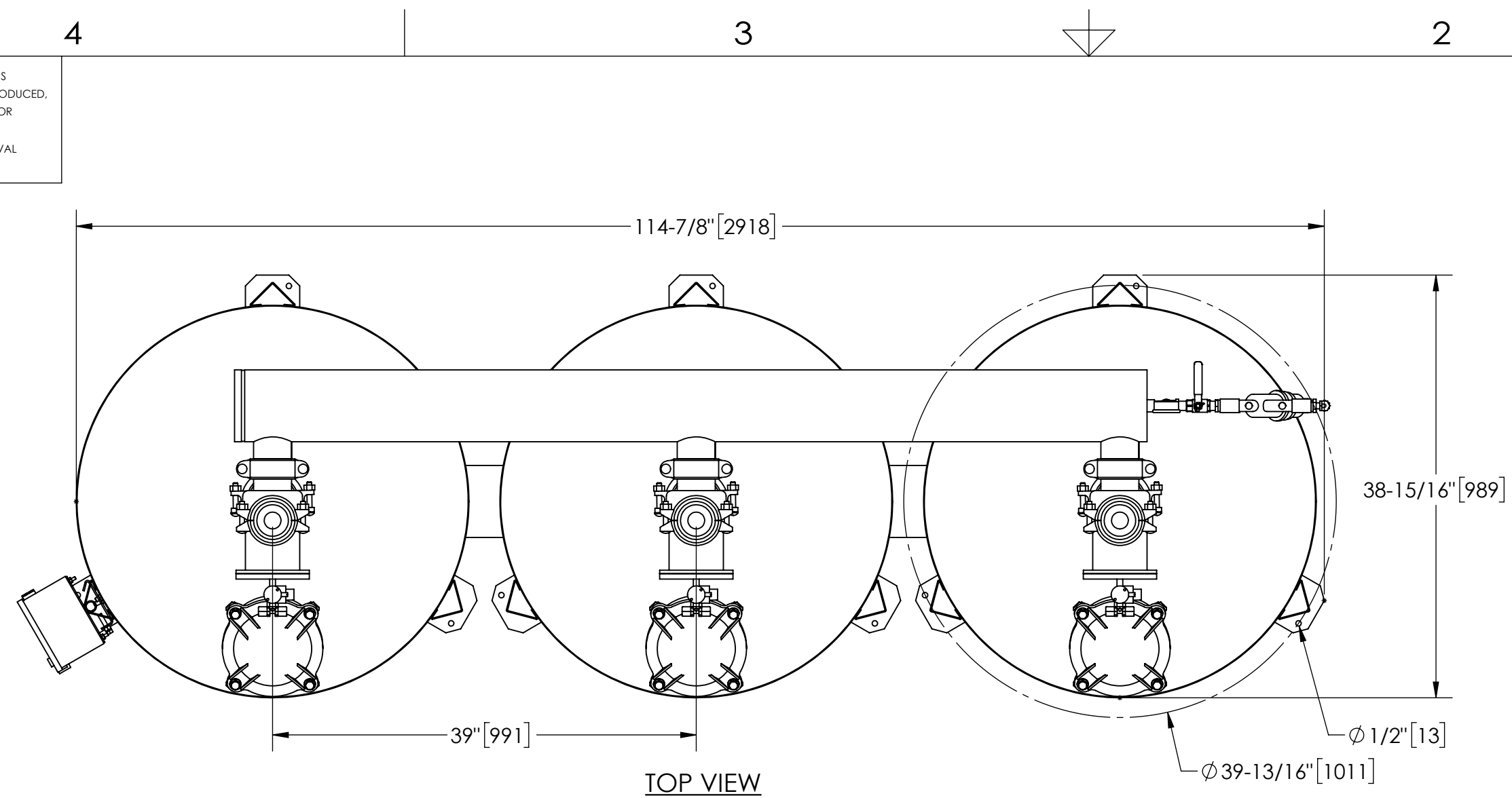
EXCEPT AS OTHERWISE PROVIDED BY CONTRACT, THIS DRAWING AND SPECIFICATIONS SHALL NOT BE REPRODUCED, COPIED OR USED AS THE BASIS FOR MANUFACTURE OR SALE OF MATTER DEPICTED HEREIN WITHOUT THE EXPRESSED WRITTEN PERMISSION OF THE CLAUDE LAVAL CORPORATION, OR ITS ASSIGNEES.

REVISIONS				
ECN	REV.	DESCRIPTION	DATE	APPROVED

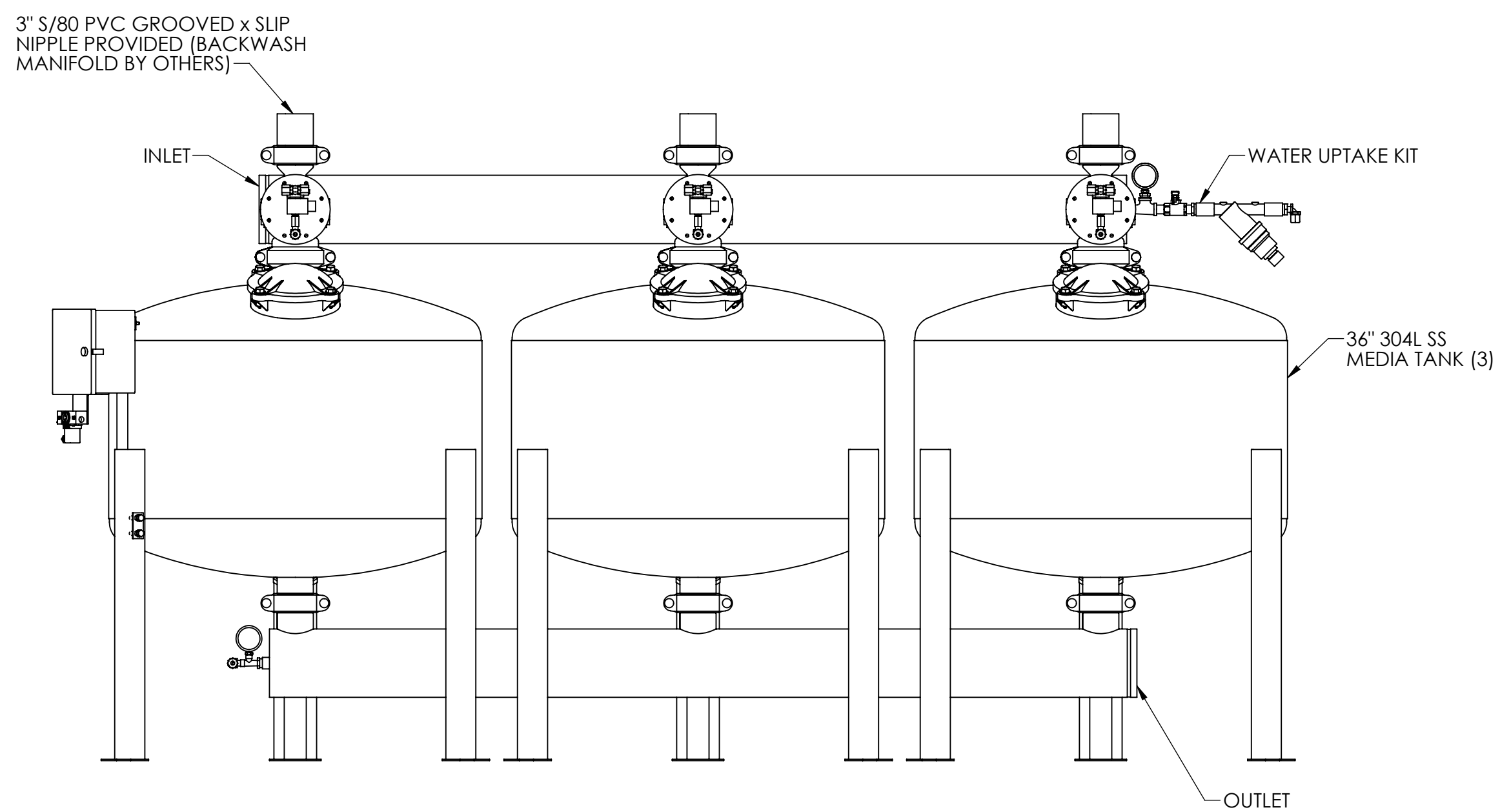
THIS DRAWING HAS BEEN GENERATED AND IS MAINTAINED BY A CAD SYSTEM. CHANGES SHALL ONLY BE INCORPORATED AS DIRECTED BY AN APPROVED ENGINEERING CHANGE ORDER (ECO). PAPER COPIES ARE UNCONTROLLED.

NOTES:

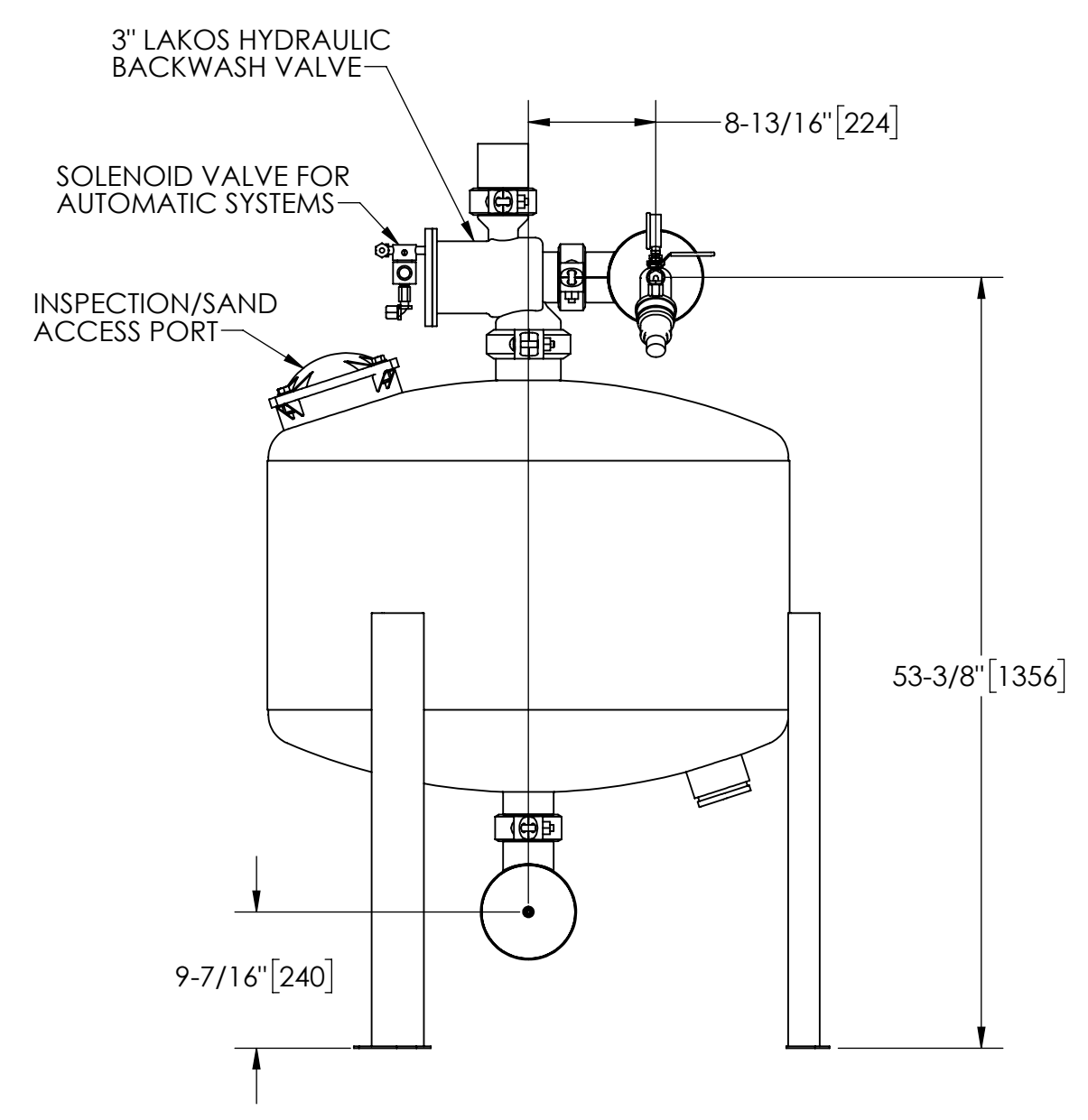
1. INLET & OUTLET ARE 6" GROOVED PIPE.
2. MAXIMUM PRESSURE: 100 psi (6.9 bar).
3. MAXIMUM TEMPERATURE: 100°F (37.8°C).
4. RATED FLOWRATE: 390-525 gpm (89-119 m³/hr).
5. FILTRATION AREA: 21 ft² (2.0 m²).
6. MEDIA SAND REQUIREMENT: 2700 lbs (1225 kg).
7. SYSTEM WEIGHT (WITHOUT SAND): 662 lbs (300 kg).
8. SYSTEM COMPONENTS SHIPPED LOOSE. FINAL ASSEMBLY BY OTHERS.



TOP VIEW



FRONT VIEW



SIDE VIEW

SUBMITTAL DRAWING

This drawing is submitted for spatial consideration only. Do not pre-plumb to these dimensions.

UNLESS OTHERWISE SPECIFIED: DIMENSIONS ARE IN: INCHES [mm] TOLERANCES ARE: FRACTIONS DECIMALS ANGLES $\pm 1/4"$.XX $\pm .01$ $\pm 1/4^\circ$.XXX $\pm .005$.XXXX $\pm .0005$	ENGINEERED FOR:		LAKOS CLAUDE LAVAL CORP. FRESNO, CALIFORNIA 93727 WWW.LAKOS.COM	
	STANDARD			
	APPROVALS	DATE	TITLE	REV.
	DRAWN ES	9/23/16	SST-3606-3A/I, SYSTEM 36" 3 TANK MEDIA, AUTO END FEED	01
MATERIAL	ENGR	MFG	SCALE	MODEL NO.
PER LAKOS SPEC	-	-	C	DWG NO.
FINISH	WORK ORDER	QTY.	EST. WT.	SHEET
AS ASSEMBLED				1 OF 1

DWG NO. SST-3606-3A/I SH 1 REV. 01