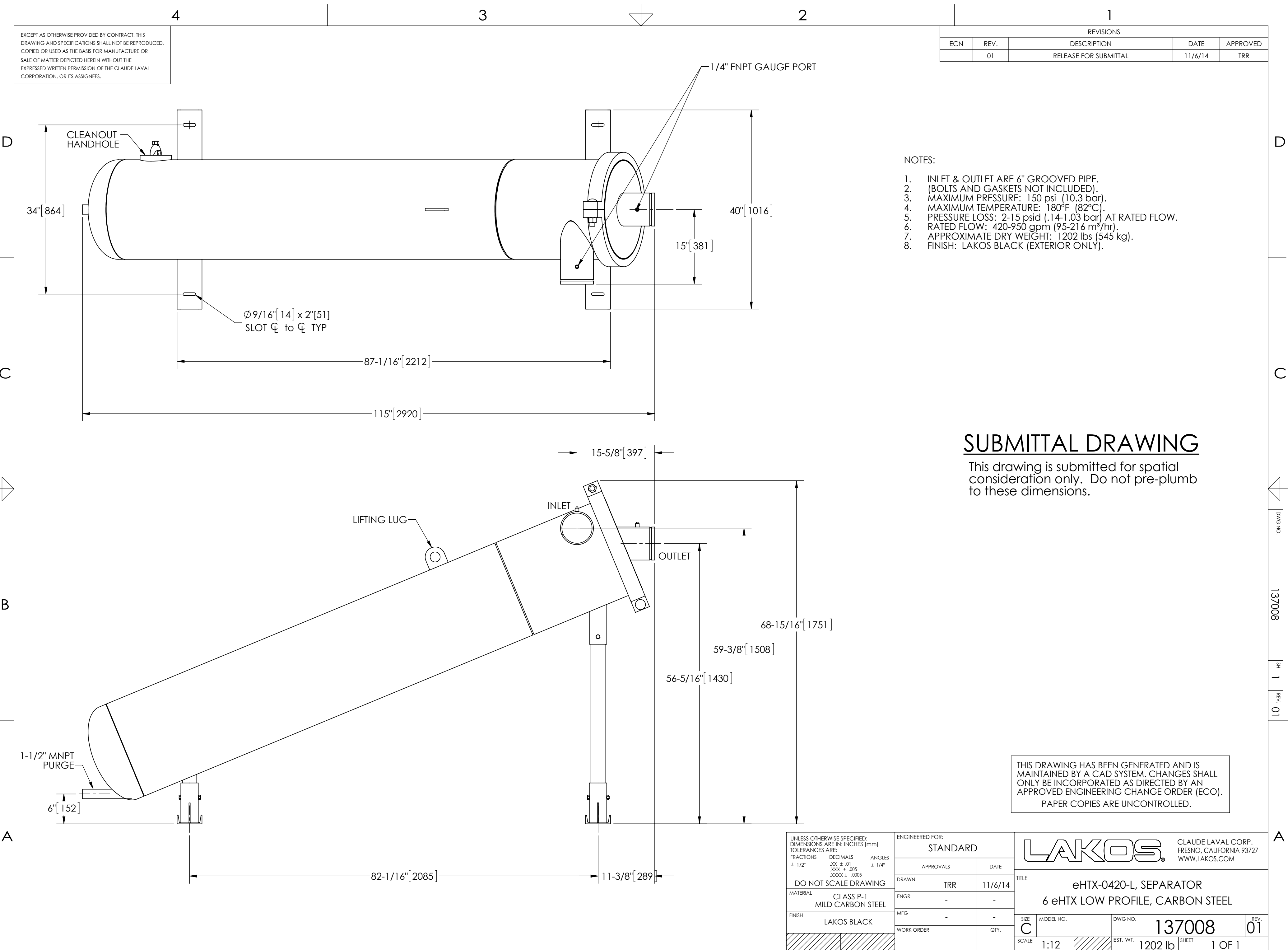


EXCEPT AS OTHERWISE PROVIDED BY CONTRACT, THIS DRAWING AND SPECIFICATIONS SHALL NOT BE REPRODUCED, COPIED OR USED AS THE BASIS FOR MANUFACTURE OR SALE OF MATTER DEPICTED HEREIN WITHOUT THE EXPRESSED WRITTEN PERMISSION OF THE CLAUDE LAVAL CORPORATION, OR ITS ASSIGNEES.

REVISIONS				
ECN	REV.	DESCRIPTION	DATE	APPROVED
	01	RELEASE FOR SUBMITTAL	11/6/14	TRR



- NOTES:
1. INLET & OUTLET ARE 6" GROOVED PIPE. (BOLTS AND GASKETS NOT INCLUDED).
 2. MAXIMUM PRESSURE: 150 psi (10.3 bar).
 3. MAXIMUM TEMPERATURE: 180°F (82°C).
 4. PRESSURE LOSS: 2-15 psid (.14-1.03 bar) AT RATED FLOW.
 5. RATED FLOW: 420-950 gpm (95-216 m³/hr).
 6. APPROXIMATE DRY WEIGHT: 1202 lbs (545 kg).
 7. FINISH: LAKOS BLACK (EXTERIOR ONLY).

SUBMITTAL DRAWING

This drawing is submitted for spatial consideration only. Do not pre-plumb to these dimensions.

THIS DRAWING HAS BEEN GENERATED AND IS MAINTAINED BY A CAD SYSTEM. CHANGES SHALL ONLY BE INCORPORATED AS DIRECTED BY AN APPROVED ENGINEERING CHANGE ORDER (ECO). PAPER COPIES ARE UNCONTROLLED.

UNLESS OTHERWISE SPECIFIED: DIMENSIONS ARE IN: INCHES [mm] TOLERANCES ARE:		ENGINEERED FOR: STANDARD		LAKOS CLAUDE LAVAL CORP. FRESNO, CALIFORNIA 93727 WWW.LAKOS.COM	
FRACTIONS ± 1/2"	DECIMALS .XX ± .01 .XXX ± .005 .XXXX ± .0005	ANGLES ± 1/4°	APPROVALS	DATE	TITLE
DO NOT SCALE DRAWING			DRAWN TRR	11/6/14	eHTX-0420-L, SEPARATOR 6 eHTX LOW PROFILE, CARBON STEEL
MATERIAL CLASS P-1 MILD CARBON STEEL			ENGR -	-	
FINISH LAKOS BLACK			MFG -	-	SIZE C
			WORK ORDER	QTY.	MODEL NO.
					DWG NO. 137008
					REV. 01
					SCALE 1:12
					EST. WT. 1202 lb
					SHEET 1 OF 1

DWG. NO. 137008
SHEET 1
REV. 01