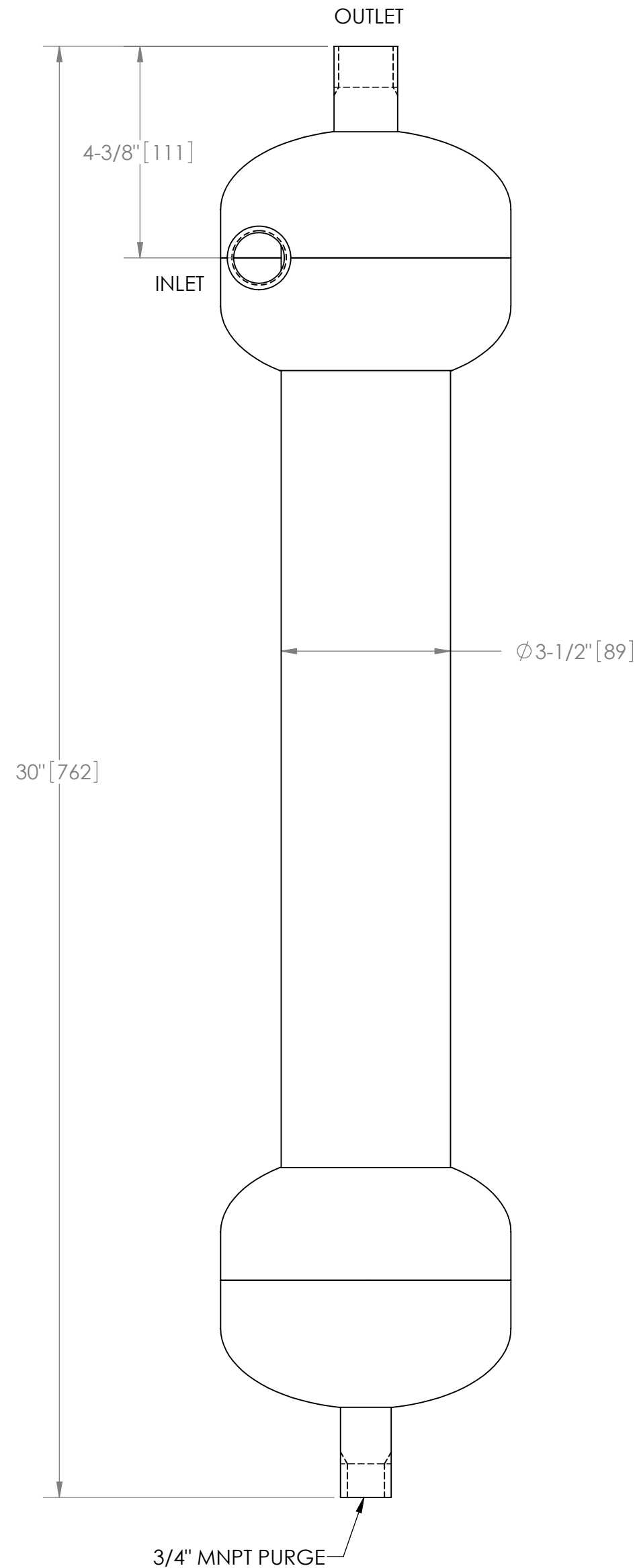


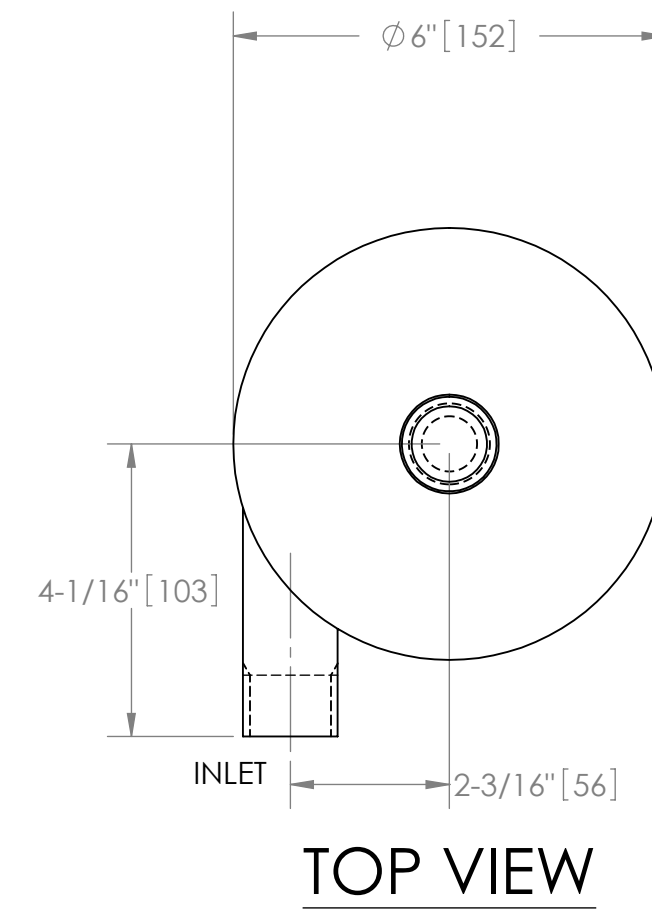
EXCEPT AS OTHERWISE PROVIDED BY CONTRACT, THIS DRAWING AND SPECIFICATIONS SHALL NOT BE REPRODUCED, COPIED OR USED AS THE BASIS FOR MANUFACTURE OR SALE OF MATTER DEPICTED HEREIN WITHOUT THE EXPRESSED WRITTEN PERMISSION OF THE CLAUDE LAVAL CORPORATION, OR ITS ASSIGNEES.

NOTES:

1. INLET & OUTLET ARE 1" MNPT PIPE.
2. MAXIMUM PRESSURE: 150 psi (10.3 bar).
3. MAXIMUM TEMPERATURE: 180°F (82.2°C).
4. PRESSURE LOSS: 5-12 psid (.3-.8 bar) AT RATED FLOW.
5. RATED FLOW: 19-32 gpm (4.5-7.5 m³/hr).
6. APPROXIMATE DRY WEIGHT: 24 lbs (11 kg).
7. FINISH: LAKOS BLUE (EXTERIOR ONLY).



THIS DRAWING HAS BEEN GENERATED AND IS MAINTAINED BY A CAD SYSTEM. CHANGES SHALL ONLY BE INCORPORATED AS DIRECTED BY AN APPROVED ENGINEERING CHANGE ORDER (ECO). PAPER COPIES ARE UNCONTROLLED.



**SUBMITTAL DRAWING**

This drawing is submitted for spatial consideration only. Do not pre-plumb to these dimensions.

REVISIONS				
ECN	REV.	DESCRIPTION	DATE	APPROVED

UNLESS OTHERWISE SPECIFIED: DIMENSIONS ARE IN: INCHES (mm) TOLERANCES ARE:		ENGINEERED FOR: <b>STANDARD</b>		CLAUDE LAVAL CORP. FRESNO, CALIFORNIA 93727 WWW.LAKOS.COM		LAVAL UNDERGROUND SURVEYS	
FRACTIONS ± 1/4"	DECIMALS .XX ± .01 .XXX ± .005 .XXXX ± .0005	ANGLES ± 1/4°		APPROVALS	DATE	TITLE	
DO NOT SCALE DRAWING				DRAWN AMF	2/18/09	ILB-0100, SEPARATOR 19-32 gpm, CARBON STEEL	
MATERIAL CLASS P-1 MILD CARBON STEEL		ENGR -		MFG -		SIZE C	MODEL NO.
FINISH LAKOS BLUE		WORK ORDER		QTY.		DWG NO. <b>100292</b>	REV. <b>E</b>
SCALE 3:8		EST. WT. 24 lb		SHEET 1 OF 1			