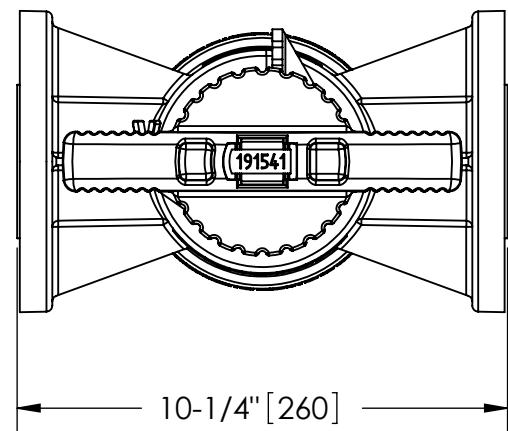


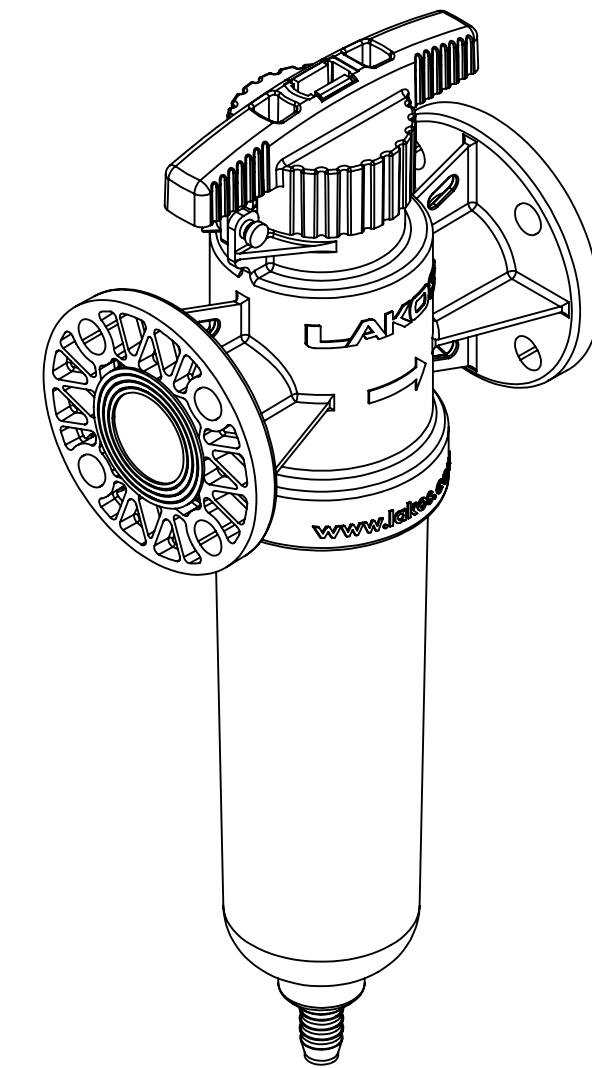
EXCEPT AS OTHERWISE PROVIDED BY CONTRACT, THIS DRAWING AND SPECIFICATIONS SHALL NOT BE REPRODUCED, COPIED OR USED AS THE BASIS FOR MANUFACTURE OR SALE OF MATTER DEPICTED HEREIN WITHOUT THE EXPRESSED WRITTEN PERMISSION OF THE CLAUDE LAVAL CORPORATION, OR ITS ASSIGNEES.

REVISIONS				
ECN	REV.	DESCRIPTION	DATE	APPROVED

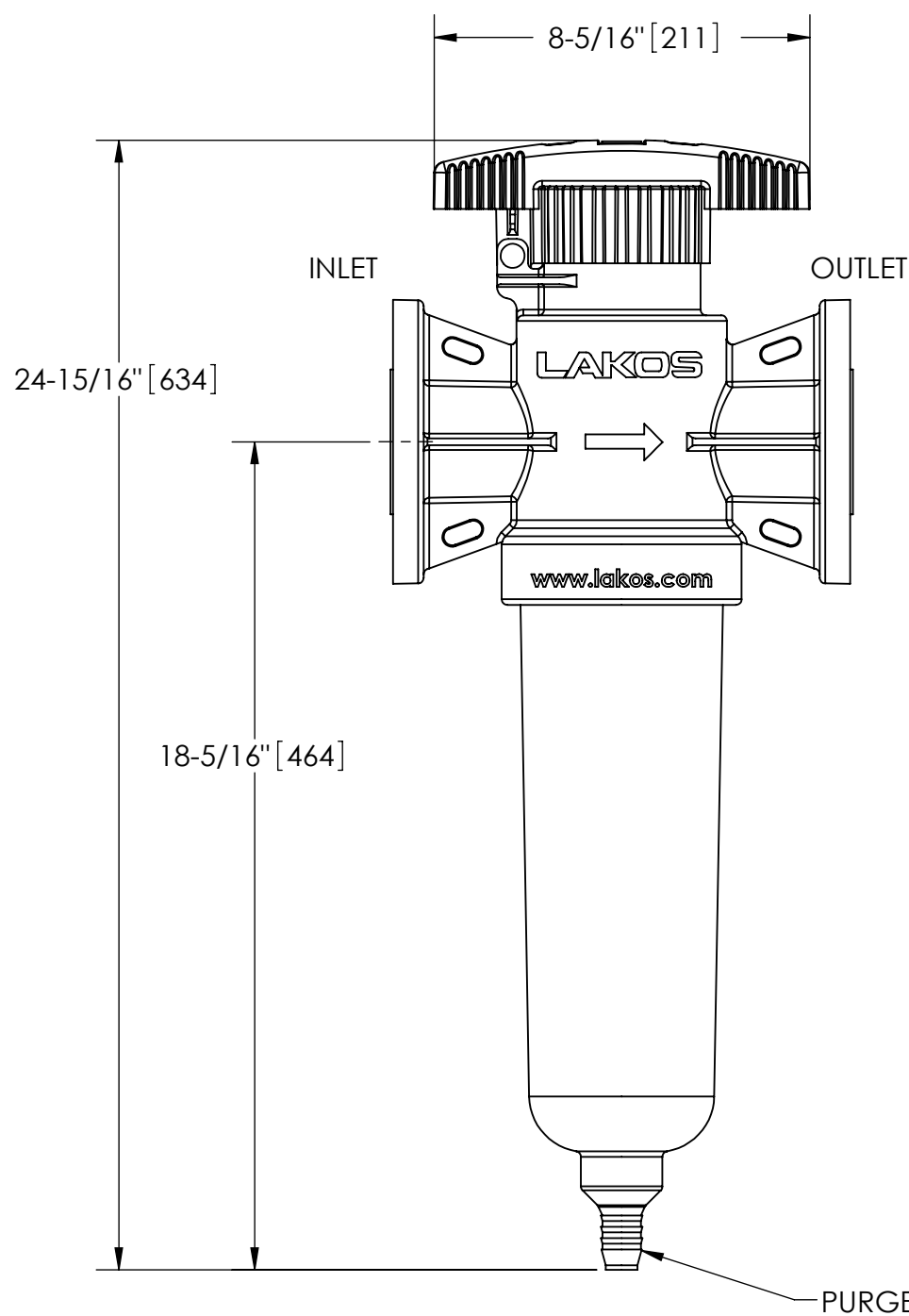
THIS DRAWING HAS BEEN GENERATED AND IS MAINTAINED BY A CAD SYSTEM. CHANGES SHALL ONLY BE INCORPORATED AS DIRECTED BY AN APPROVED ENGINEERING CHANGE ORDER (ECO). PAPER COPIES ARE UNCONTROLLED.



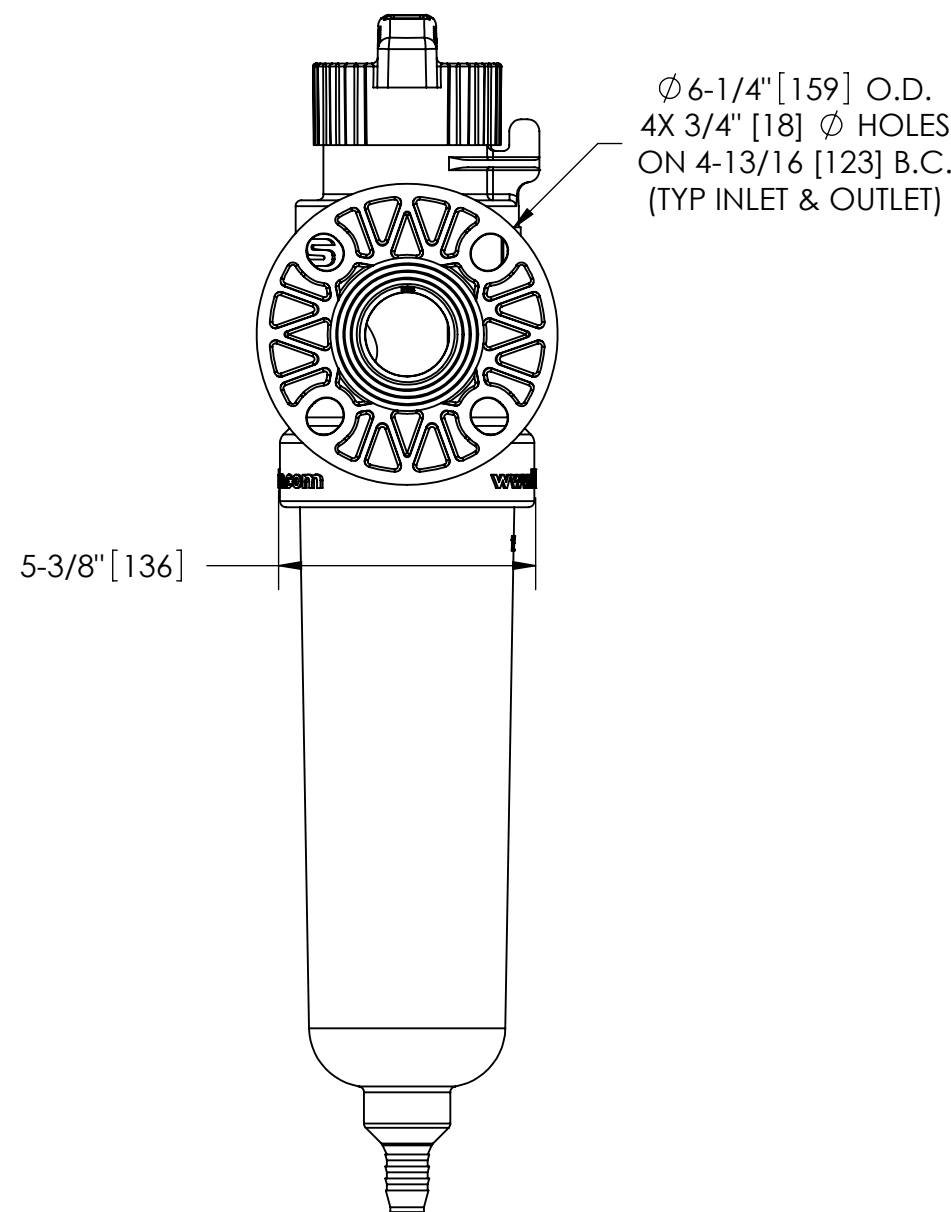
TOP VIEW



ISOMETRIC VIEW



FRONT VIEW



SIDE VIEW

PART NO.	DISCRIPTION
131557	T2C-200-60, TWIST II CLEAN, 2" FLANGED, 60 MESH
131558	T2C-200-100, TWIST II CLEAN, 2" FLANGED, 100 MESH
131559	T2C-200-1400, TWIST II CLEAN, 2" FLANGED, 140 MESH
131560	T2C-200-200, TWIST II CLEAN, 2" FLANGED, 200 MESH

SUBMITTAL DRAWING

This drawing is submitted for spatial consideration only. Do not pre-plumb to these dimensions.

UNLESS OTHERWISE SPECIFIED: DIMENSIONS ARE IN: INCHES [mm] TOLERANCES ARE: FRACTIONS DECIMALS ANGLES ± 1/4" .XX ± .01 ± 1/4° .XXX ± .005 .XXXX ± .0005		ENGINEERED FOR: STANDARD		CLAUDE LAVAL CORP. FRESNO, CALIFORNIA 93727 WWW.LAKOS.COM		LAVAL UNDERGROUND SURVEYS		
DO NOT SCALE DRAWING		APPROVALS	DATE	TITLE				
MATERIAL SEE NOTE		DRAWN	4/8/10	T2C-200-60, TWIST II CLEAN 2" FLANGED, GLASS FILLED POLY				
FINISH SEE NOTE		ENGR	-	SIZE		MODEL NO.	DWG NO.	REV.
		MFG	-	C			131557	C
		WORK ORDER	QTY.	SCALE		EST. WT.	SHEET	
				1:4		11 lb	1 OF 1	

DWG NO. 131557
SHEET 1
REV. C