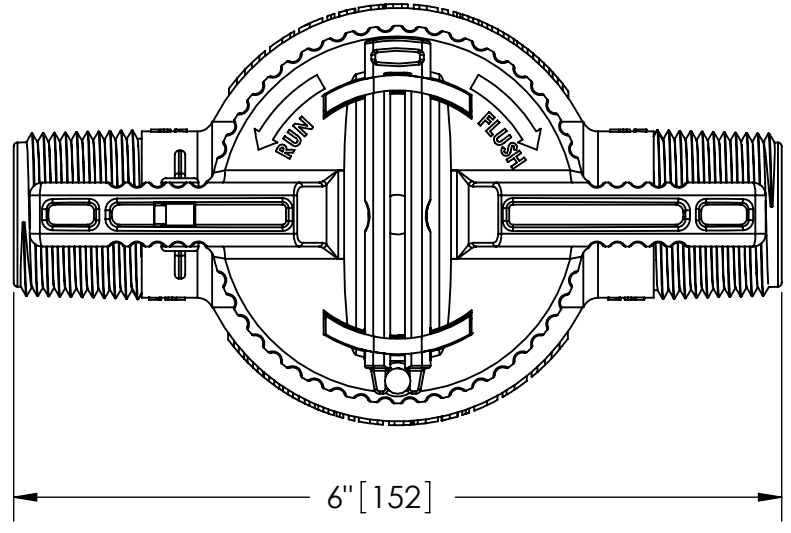


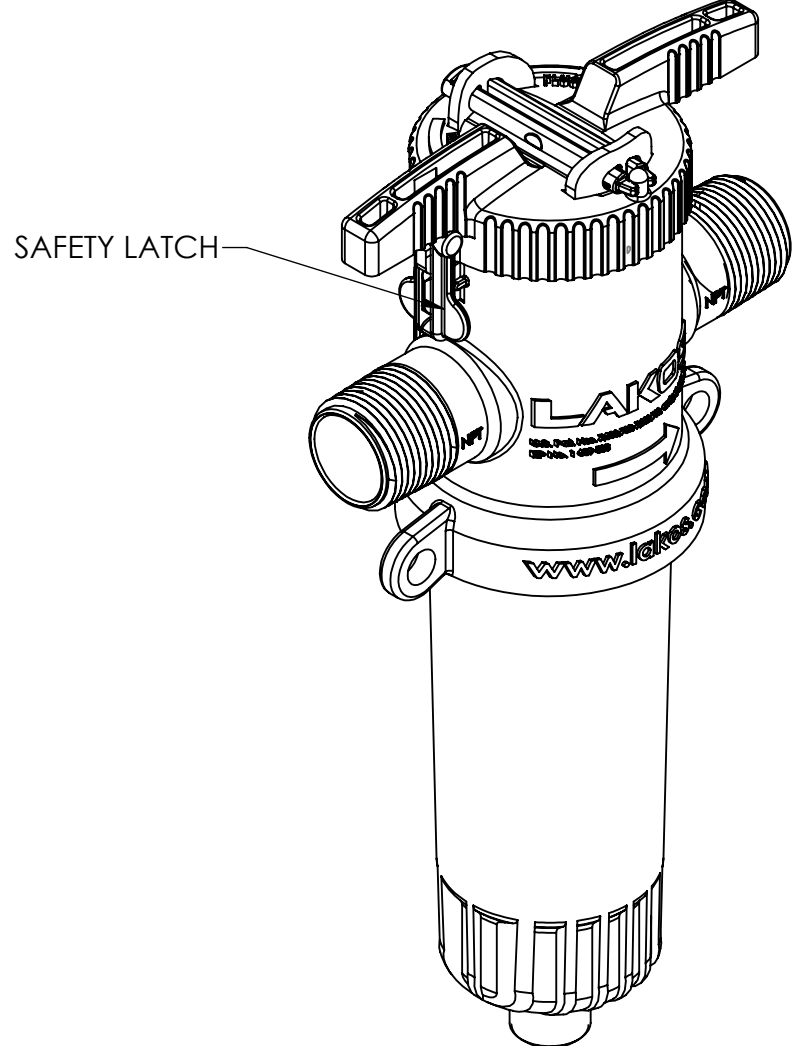
EXCEPT AS OTHERWISE PROVIDED BY CONTRACT, THIS DRAWING AND SPECIFICATIONS SHALL NOT BE REPRODUCED, COPIED OR USED AS THE BASIS FOR MANUFACTURE OR SALE OF MATTER DEPICTED HEREIN WITHOUT THE EXPRESSED WRITTEN PERMISSION OF THE CLAUDE LAVAL CORPORATION, OR ITS ASSIGNEES.

REVISIONS				
ECN	REV.	DESCRIPTION	DATE	APPROVED

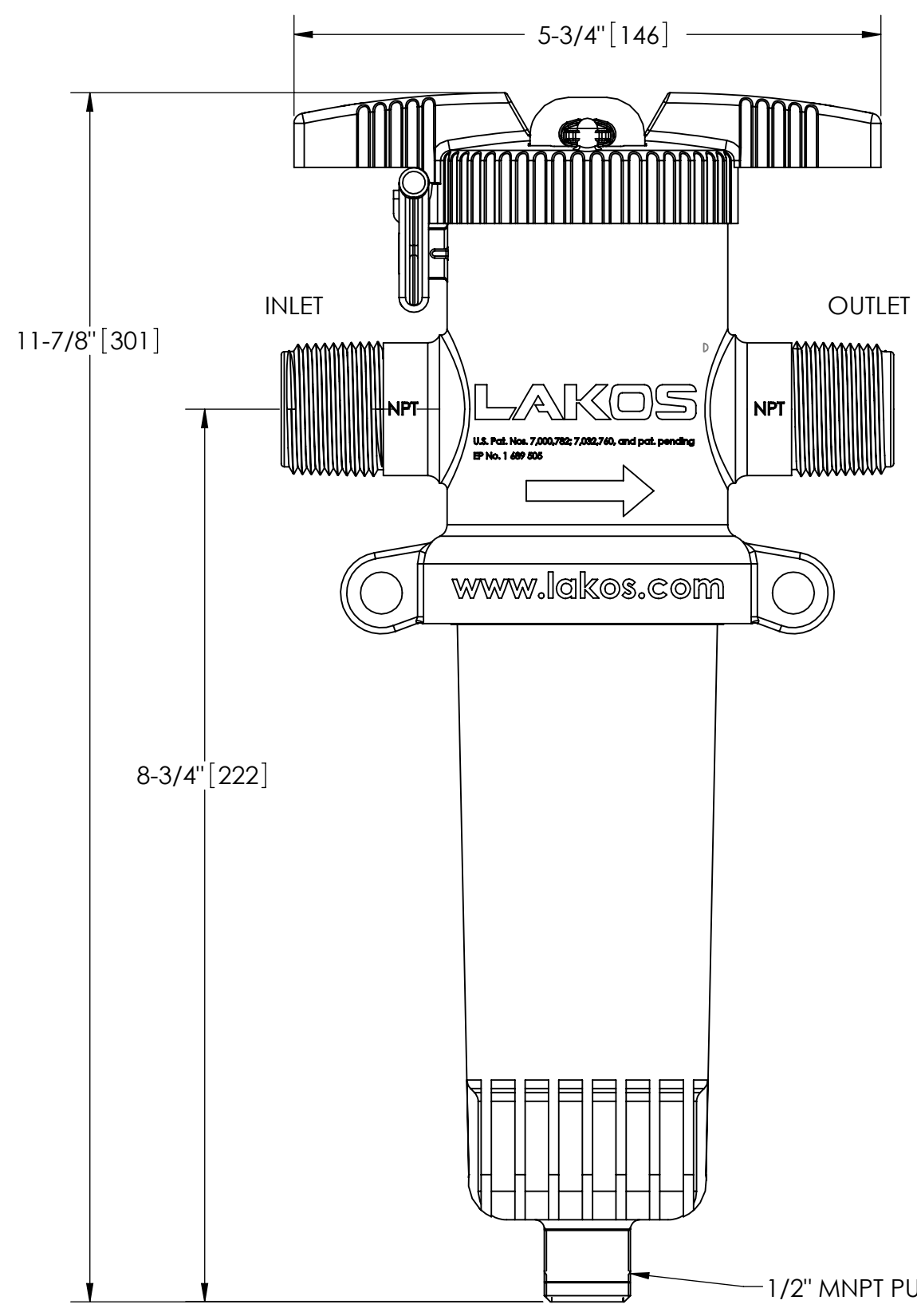
THIS DRAWING HAS BEEN GENERATED AND IS MAINTAINED BY A CAD SYSTEM. CHANGES SHALL ONLY BE INCORPORATED AS DIRECTED BY AN APPROVED ENGINEERING CHANGE ORDER (ECO). PAPER COPIES ARE UNCONTROLLED.



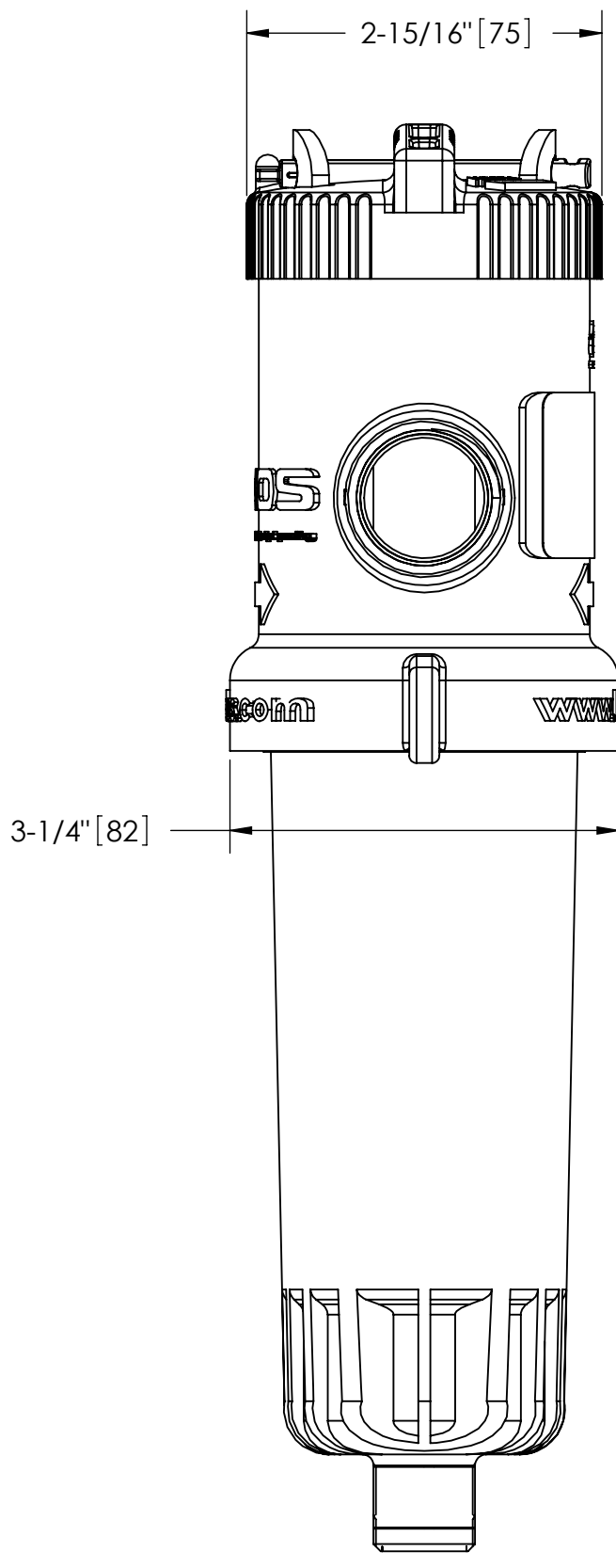
TOP VIEW



ISOMETRIC VIEW



FRONT VIEW



SIDE VIEW

PART NO.	DESCRIPTION
131347	T2C -100-30, TWIST II CLEAN, 1" NPT. 30 MESH
131348	T2C -100-60, TWIST II CLEAN, 1" NPT. 60 MESH
131349	T2C -100-100, TWIST II CLEAN, 1" NPT. 100 MESH
131350	T2C -100-140, TWIST II CLEAN, 1" NPT. 140 MESH
134215	T2C -100-200, TWIST II CLEAN, 1" NPT. 200 MESH

**SUBMITTAL DRAWING**

This drawing is submitted for spatial consideration only. Do not pre-plumb to these dimensions.

UNLESS OTHERWISE SPECIFIED: DIMENSIONS ARE IN: INCHES [mm] TOLERANCES ARE: FRACTIONS DECIMALS ANGLES ± 1/4" .XX ± .01 ± 1/4° .XXX ± .005 .XXXX ± .0005	ENGINEERED FOR: <b>STANDARD</b>		<b>LAKOS</b> CLAUDE LAVAL CORP. FRESNO, CALIFORNIA 93727 WWW.LAKOS.COM		LAVAL UNDERGROUND SURVEYS					
	APPROVALS	DATE	TITLE							
	DRAWN	JBI	5/12/10	T2C-100-30, TWIST II CLEAN 1" NPT, GLASS FILLED POLY						
	ENGR	-	-	SIZE		MODEL NO.	DWG NO.	REV.		
MATERIAL	SEE NOTE	ENGR	-	-	C		131347	A		
FINISH	SEE NOTE	MFG	-	-	SCALE	2:3	EST. WT.	2 lb	SHEET	1 OF 1
		WORK ORDER								

D  
C  
B  
A

D  
C  
B  
A

4  
4  
4  
4

3  
3  
3  
3

2  
2  
2  
2

1  
1  
1  
1

DWG NO. 131347  
SHEET 1  
REV. A