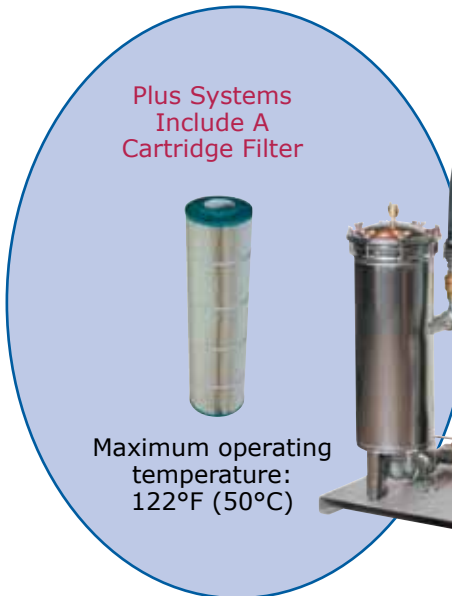


SideStreamClean^{Plus}



Plus Systems Include A Cartridge Filter

Maximum operating temperature: 122°F (50°C)



Model SPX

*Includes Models SPI and SPX
SPX Models are accessible separators*

Conversion Kits

Kits to convert a SideStreamClean system to a SideStreamCleanPLUS system include a single or dual cartridge filter system on a skid (shown below) and instructions for conversion.



TBI/TBX Model

- TBI/TBX-0065
- TBI/TBX-0100
- TBI/TBX-0145
- TBI/TBX-0200
- TBI/TBX-0280
- TBI/TBX-0400
- *TBI/TBX-0525
- *TBI/TBX-0825
- *TBI/TBX-1100
- *TBI/TBX-1670

Conversion Kit

- PLUS-0065-TB/TC
- PLUS-0100-TB/TC
- PLUS-0145-TB/TC
- PLUS-0200-TB/TC
- PLUS-0280-TB/TC
- PLUS-0400-TBI/TBX
- PLUS-0525-TBI/TBX
- PLUS-0825-TBI/TBX
- PLUS-1100-TBI/TBX
- PLUS-1670-TBI/TBX

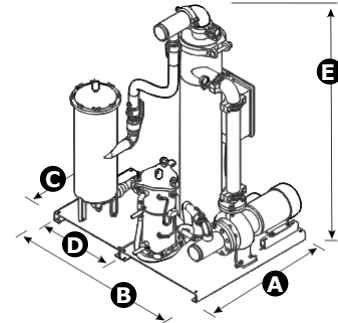
*Dual cartridge filters

Dimensions

SPI or SPX Model	Dim A		Dim B		Dim C		Dim D		Dim E - SPI		Dim E - SPX	
	Inches	mm	Inches	mm	Inches	mm	Inches	mm	Inches	mm	Inches	mm
0065-SRV	39 3/4	1010	48	1219	24	610	24	610	47 15/16	1218	50	1271
0100-SRV	39 3/4	1010	48	1219	24	610	24	610	51 15/16	1319	54 1/2	1384
0145-SRV	39 3/4	1010	52	1321	24	610	24	610	53 1/2	1359	55 3/8	1407
0200-SRV	39 3/4	1010	52	1321	24	610	24	610	56 1/2	1435	57 3/8	1457
0280-SRV	39 3/4	1010	52	1321	28	711	24	610	69 1/4	1759	74 1/16	1891
0400-SRV	48	1219	54	1372	28	711	24	610	76 11/16	1948	76 11/16	1948
*0525-SRV	48	1219	54	1372	39 3/4	1010	24	610	76 11/16	1948	76 11/16	1948
*0825-SRV	60	1524	60	1524	39 3/4	1010	24	610	93 5/8	2378	93 5/8	2378
*1100-SRV	60	1524	60	1524	39 3/4	1010	24	610	93 5/8	2378	93 5/8	2378

*Dual cartridge filters

SideStreamCleanPLUS



Configurations

SPI or SPX Model	Separator Model		Cartridge *				Inlet / Outlet		SPI / Weight		SPX / Weight		Pump HP	Full Load Amperage		
	SPI	SPX	Flow US gpm	Flow m3/hr	Flow US gpm	Flow m3/hr	Inlet (grv/flgd)	Outlet (grooved)	Empty (lbs)	Empty (kg)	Empty (lbs)	Empty (kg)		230V	460V	575V
0065-SRV	ILB-0150	HTX-0038	65	15	10	2.3	2" grv	1-1/2"	650	295	566	257	1.5	4	2	1.7
0100-SRV	ILB-0200	HTX-0060	100	23	20	4.5	3" grv	2"	685	310	646	293	2	5.3	2.7	2.2
0145-SRV	ILB-0250	HTX-0085	145	33	30	6.8	3" grv	2-1/2"	673	305	800	363	3	8.3	4.2	3.4
0200-SRV	ILB-0300	HTX-0130	200	45	30	6.8	3" grv	3"	726	329	833	378	5	13.7	6.8	5.5
0280-SRV	ILB-0350	HTX-0200	280	64	50	11.4	4" grv	4"	813	369	987	448	5	13.7	6.8	5.5
0400-SRV	HTH-0285	HTX-0285	400	91	50	11.4	6" flgd	4"	1191	540	1293	587	7.5	20.3	10.1	8.1
0525-SRV	HTH-0285	HTX-0285	525	119	90	20.4	6" flgd	4"	1446	656	1533	695	15	38	18.9	15.3
0825-SRV	HTH-0450	HTX-0450	825	187	90	20.4	8" flgd	6"	1926	874	1990	903	20	49	24.7	19.7
1100-SRV	HTH-0500	HTX-0500	1100	250	90	20.4	8" flgd	6"	1933	877	1996	905	20	49	24.7	19.7

* Cartridge filters available in 0.35, 1, 5 and 10 micron sizes

All SideStreamCleanPLUS systems are rated for 150 psi (10.3 bar) maximum pressure

LAKOS is the recognized leader in solids removal from liquids in the Heat Transfer Industry. With the most complete line of filtration, including separators, media and cartridge filtration, LAKOS can provide you with the best filtration solutions to your fouling problems. Choose LAKOS for customized solutions to your filtration needs.

Lakos Separators are manufactured and sold under one or more of the following U.S. Patents: 5,320,747; 5,338,341; 5,368,735; 5,425,876; 5,571,416; 5,578,203; 5,622,545; 5,653,874; 5,894,995; 6,090,276; 6,143,175; 6,167,960; 6,202,543; 7,000,782; 7,032,760 and corresponding foreign patents, other U.S. and foreign patents pending.

LAKOS
Separators and Filtration Solutions

1365 North Clovis Avenue
Fresno, California 93727
info@lakos.com

www.lakos.com