

EXCEPT AS OTHERWISE PROVIDED BY CONTRACT, THIS DRAWING AND SPECIFICATIONS SHALL NOT BE REPRODUCED, COPIED OR USED AS THE BASIS FOR MANUFACTURE OR SALE OF MATTER DEPICTED HEREIN WITHOUT THE EXPRESSED WRITTEN PERMISSION OF THE CLAUDE LAVAL CORPORATION, OR ITS ASSIGNEES.

THIS DRAWING HAS BEEN GENERATED AND IS MAINTAINED BY A CAD SYSTEM. CHANGES SHALL ONLY BE INCORPORATED AS DIRECTED BY AN APPROVED ENGINEERING CHANGE ORDER (ECO). PAPER COPIES ARE UNCONTROLLED.

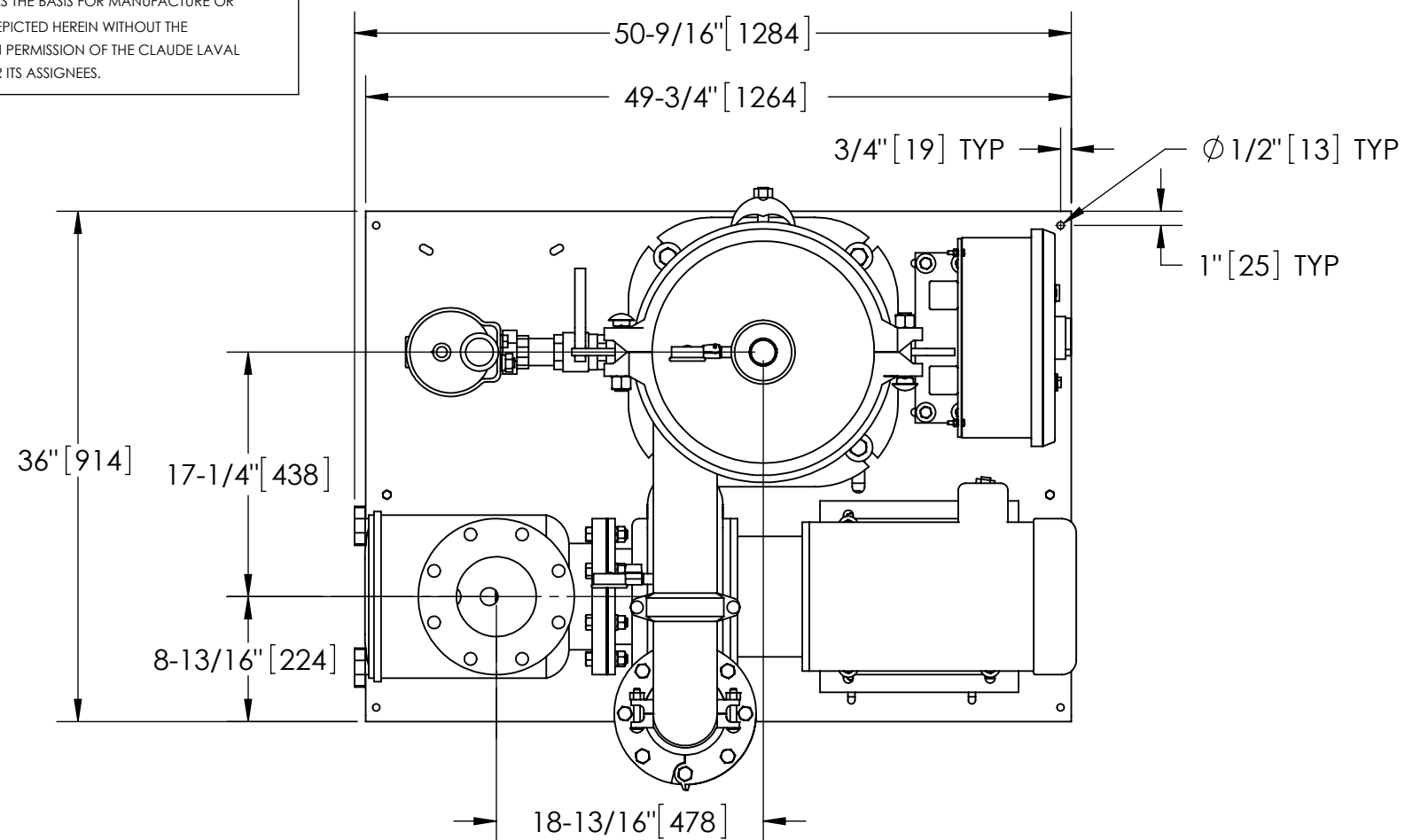
REVISION HISTORY				
ZONE	REV	DESCRIPTION	DATE	APPROVED
	01	RELEASE FOR PRODUCTION	12/19/13	TRR

NOTES:

- INLET IS 6" PIPE (125# ANSI FLANGED).
- OUTLET IS 4" PIPE (GROOVED).
- PURGE OUTLET IS 1-1/2" PIPE.
- MAXIMUM PRESSURE: 150 psi (10.3 bar).
- MAX FLUID OPERATING TEMPERATURE: 100°F (37.8°C).
- SPECIFIED FLOW RATES:
BASIN SWEEPING- 610 gpm (139 m³/hr).
- FINISH: AS ASSEMBLED.
- POWER REQUIREMENT: 208V/230V/460V, 3PH, 60Hz. (CUSTOMER SPECIFIED)
- NEMA 4X MOTOR STARTER ENCLOSURE WITH SAFETY DISCONNECT AND H.O.A. SWITCH.
- APPROXIMATE DRY WEIGHT: 1859 lbs (843 kg).
- INLET/OUTLET VALVE KIT RECOMMENDED: SEE FACTORY.
- MINIMUM SUCTION LINE TO SYSTEM IS 6" PIPE.
- FLOODED SUCTION REQUIRED.

COMPONENT LIST:

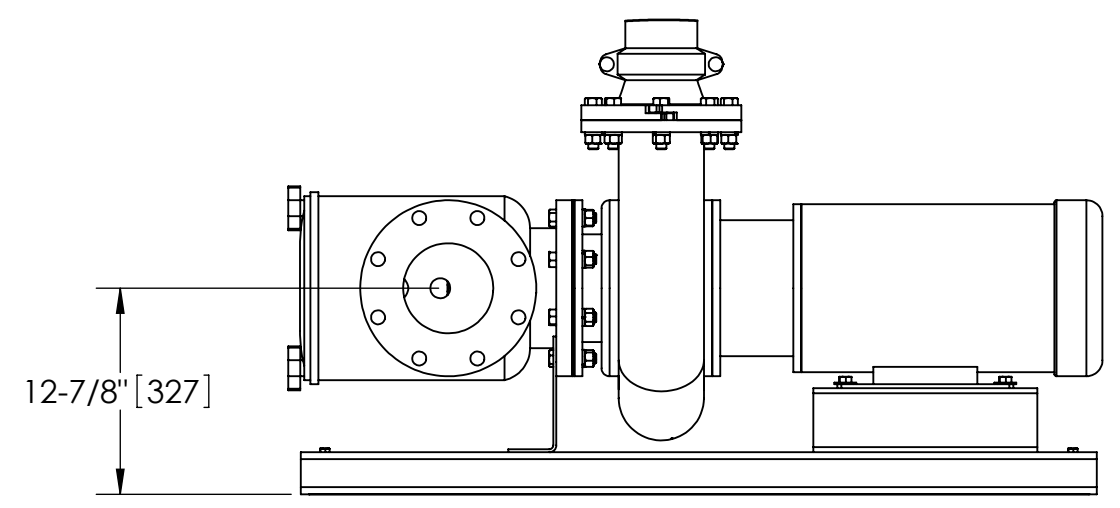
- ELECTRICAL CONTROL BOX 208V/230V/460V, 60Hz W/120V TRANSFORMER.
- SEPARATOR: eHTX-0260-V.
- PUMP: 20 HP CENTRIFUGAL, 1800 rpm, 208V/230V/460V, 60Hz.
- INLET/OUTLET PRESSURE GAUGES: 0-100 psi, GLYCERIN-FILLED.
- PURGE EQUIPMENT: EFS-15-120V.
- STRAINER, SUCTION DIFFUSER.



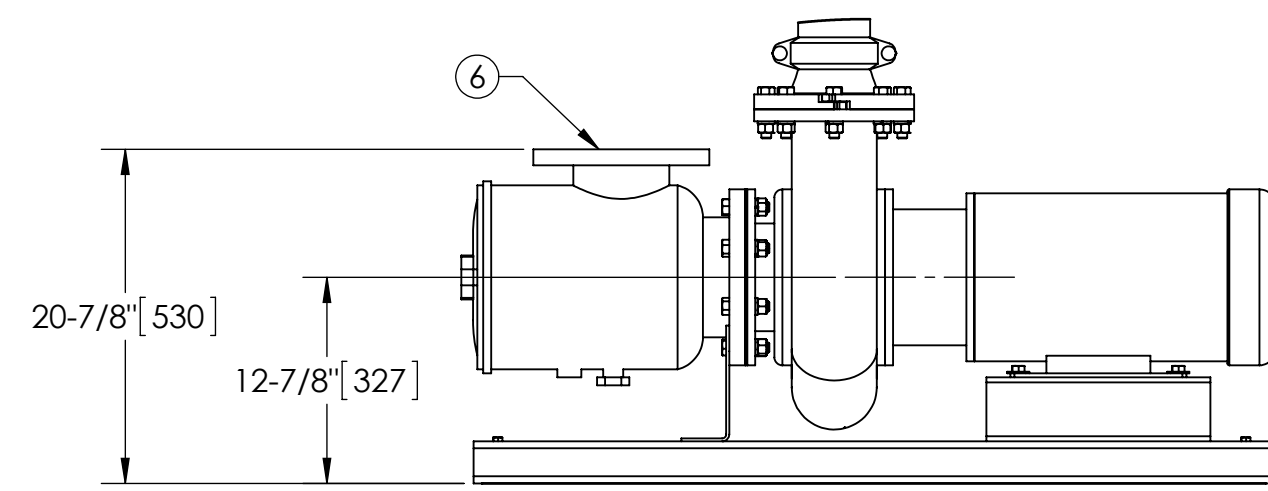
TOP VIEW

SUBMITTAL DRAWING

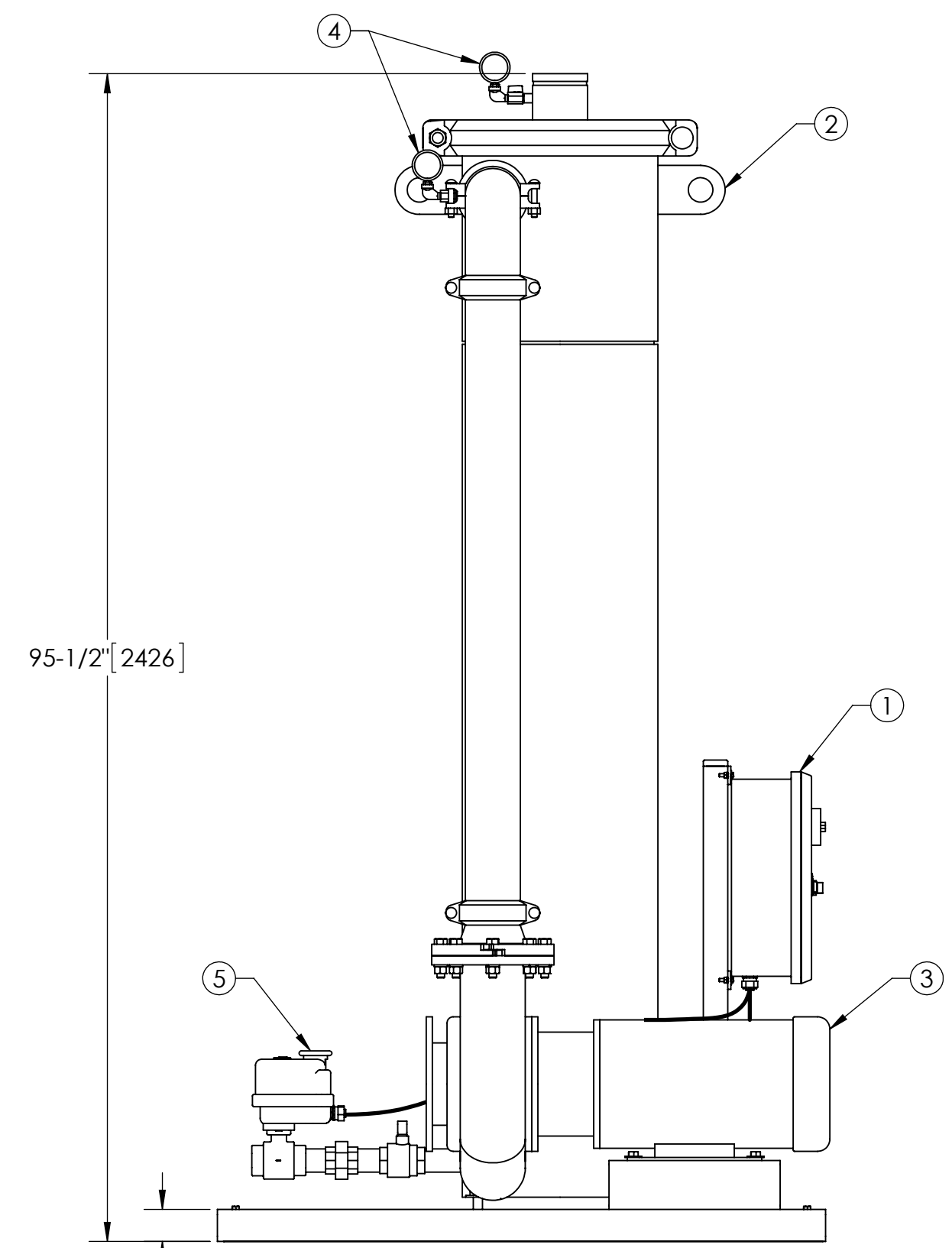
This drawing is submitted for spatial consideration only. Do not pre-plumb to these dimensions.



FRONT VIEW ROTATED STRAINER (OPTIONAL)



FRONT VIEW PUMP & STRAINER



FRONT VIEW W/O STRAINER

UNLESS OTHERWISE SPECIFIED: DIMENSIONS ARE IN: INCHES (mm) TOLERANCES ARE: FRACTIONS DECIMALS ANGLES ± 1/2" .XX ± .01 ± 1/4" .XXX ± .005 .XXXX ± .0005	ENGINEERED FOR: STANDARD	CLAUDE LAVAL CORP. FRESNO, CALIFORNIA 93727 WWW.LAKOS.COM	LAVAL UNDERGROUND SURVEYS	
	APPROVALS			DATE
	DRAWN			9/6/13
	ENGR			-
DO NOT SCALE DRAWING	MFG	TITLE eTCX-0610-EFS, TC SYSTEM		
MATERIAL PER LAKOS SPEC	WORK ORDER	HI EFFICIENCY eHTX-0260, 3/60/208, 230, 460V		
FINISH AS ASSEMBLED	QTY.	SCALE C 1:12	MODEL NO. DWG NO. 136379	
		EST. WT. 1859 lb	REV. A SHEET 1 OF 1	

DWG NO. 136379
SHEET A