

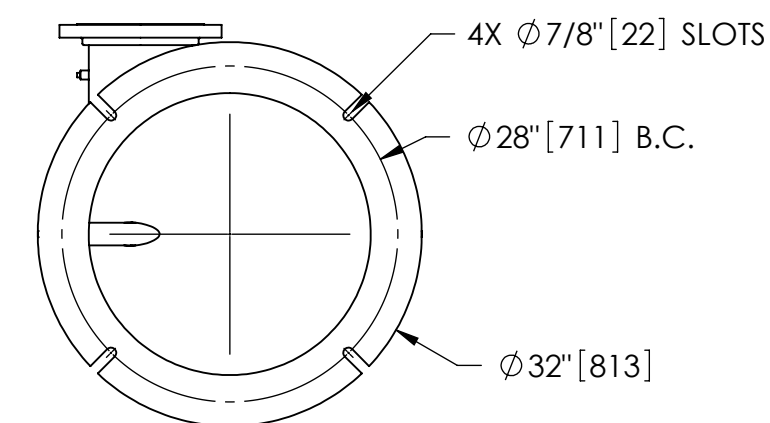
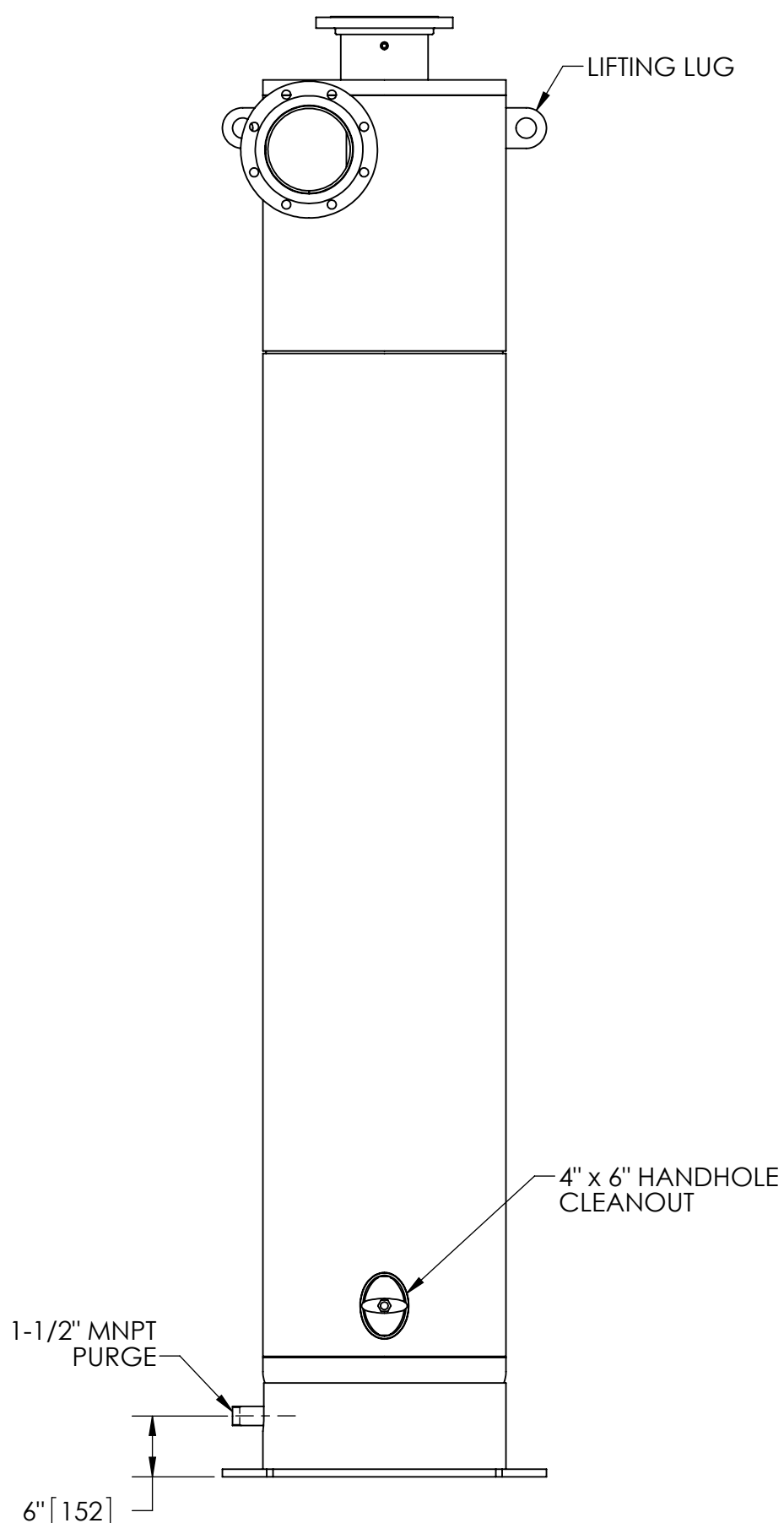
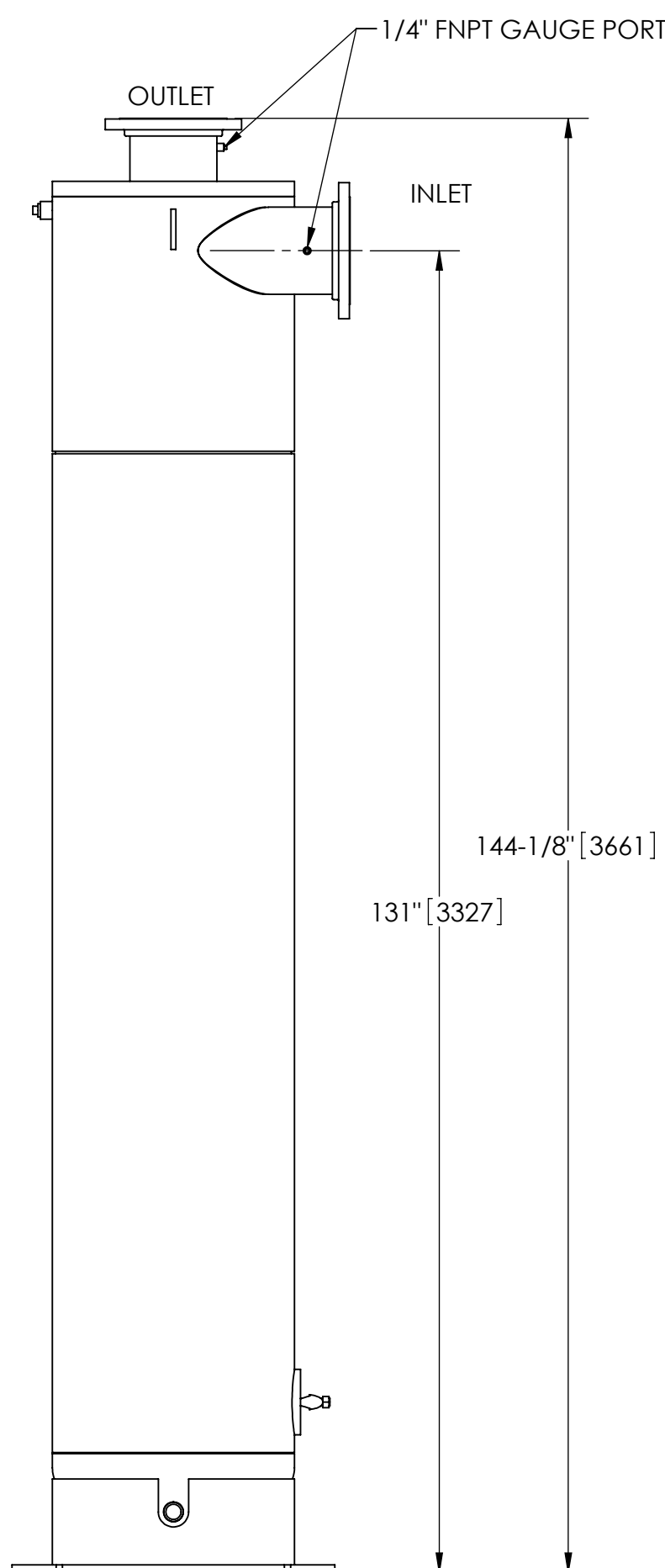
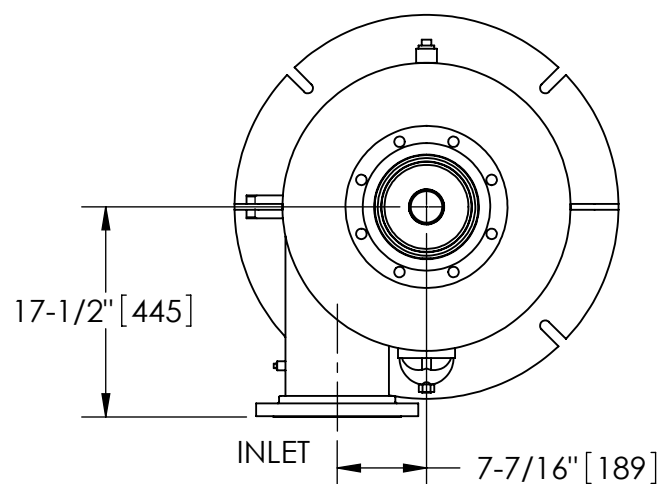
EXCEPT AS OTHERWISE PROVIDED BY CONTRACT, THIS DRAWING AND SPECIFICATIONS SHALL NOT BE REPRODUCED, COPIED OR USED AS THE BASIS FOR MANUFACTURE OR SALE OF MATTER DEPICTED HEREIN WITHOUT THE EXPRESSED WRITTEN PERMISSION OF THE CLAUDE LAVAL CORPORATION, OR ITS ASSIGNEES.

NOTES:

1. INLET & OUTLET FLANGES ARE 8" 150# RF PER ANSI B16.5 REQUIRING 8X $\phi 3/4$ " BOLTS (BOLTS AND GASKETS NOT INCLUDED).
2. MAXIMUM PRESSURE: 150 psi (10.3 bar).
3. MAXIMUM TEMPERATURE: 200°F (93.3°C).
4. PRESSURE LOSS: 2-15 psid (.14-1.03 bar) AT RATED FLOW.
5. RATED FLOW: 820-2050 gpm (168-466 m³/hr).
6. APPROXIMATE DRY WEIGHT: 1690 lbs (767 kg).
7. FINISH: POWDERCOAT LAKOS MEDIUM GRAY RAL-7005 (EXTERIOR ONLY).
8. CERTIFIED UNDER NSF/ANSI STANDARD NSF 61 & ANNEX G.

| REVISIONS | | | | |
|-----------|------|-------------|------|----------|
| ECN | REV. | DESCRIPTION | DATE | APPROVED |
| | | | | |

THIS DRAWING HAS BEEN GENERATED AND IS MAINTAINED BY A CAD SYSTEM. CHANGES SHALL ONLY BE INCORPORATED AS DIRECTED BY AN APPROVED ENGINEERING CHANGE ORDER (ECO). PAPER COPIES ARE UNCONTROLLED.



BOTTOM VIEW

SUBMITTAL DRAWING

This drawing is submitted for spatial consideration only. Do not pre-plumb to these dimensions.

| | | | | | | | |
|---|--|------------------------------------|-----------|---|---------------------|---------------------------|-----------|
| UNLESS OTHERWISE SPECIFIED: DIMENSIONS ARE IN: INCHES [mm] TOLERANCES ARE: FRACTIONS DECIMALS ANGLES $\pm 1"$.XX $\pm .01$ $\pm 1/4^\circ$.XXX $\pm .005$.XXXX $\pm .0005$ | | ENGINEERED FOR: STANDARD | | CLAUDE LAVAL CORP. FRESNO, CALIFORNIA 93727 WWW.LAKOS.COM | | LAVAL UNDERGROUND SURVEYS | |
| DO NOT SCALE DRAWING | | APPROVALS | DATE | TITLE | | | |
| MATERIAL CLASS P-1 MILD CARBON STEEL | | DRAWN CAG | 1/30/2012 | PWC-1080-V, SEPARATOR, 820-2050 GPM, CARBON STEEL | | | |
| FINISH POWDERCOAT LAKOS MEDIUM GRAY RAL-7005 | | ENGR - | - | SIZE C | MODEL NO. | DWG NO. 133382 | REV. A |
| | | WORK ORDER | QTY. | SCALE 1:16 | EST. WT. 1690 lb | SHEET 1 OF 1 | |

DWG. NO. 133382 SH 1 REV. A