

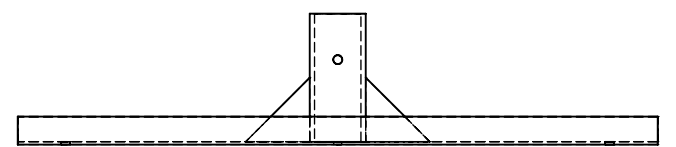
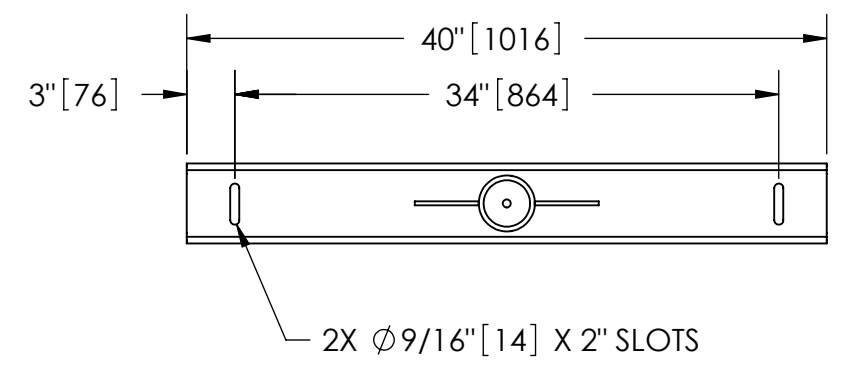
EXCEPT AS OTHERWISE PROVIDED BY CONTRACT, THIS DRAWING AND SPECIFICATIONS SHALL NOT BE REPRODUCED, COPIED OR USED AS THE BASIS FOR MANUFACTURE OR SALE OF MATTER DEPICTED HEREIN WITHOUT THE EXPRESSED WRITTEN PERMISSION OF THE CLAUDE LAVAL CORPORATION, OR ITS ASSIGNEES.

NOTES:

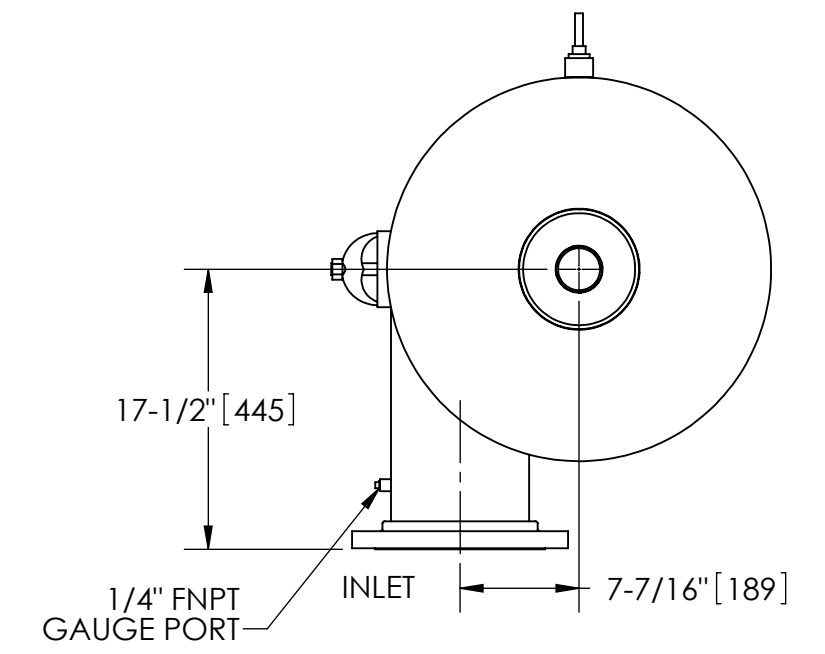
1. INLET & OUTLET FLANGES ARE 8" 150# RF PER ANSI B16.5, REQUIRING 8X Ø3/4" BOLTS (BOLTS AND GASKETS NOT INCLUDED).
2. MAXIMUM PRESSURE: 150 psi (10.3 bar).
3. MAXIMUM TEMPERATURE: 200°F (93.3°C).
4. PRESSURE LOSS: 2-15 psid (.14-1.03 bar) AT RATED FLOW.
5. RATED FLOW: 820-2050 gpm (168-466 m³/hr).
6. APPROXIMATE DRY WEIGHT: 1695 lbs (769 kg).
7. FINISH: POWDERCOAT LAKOS MEDIUM GRAY RAL-7005 (EXTERIOR ONLY).
8. CERTIFIED UNDER NSF/ANSI STANDARD NSF 61 & ANNEX G.

REVISIONS				
ECN	REV.	DESCRIPTION	DATE	APPROVED

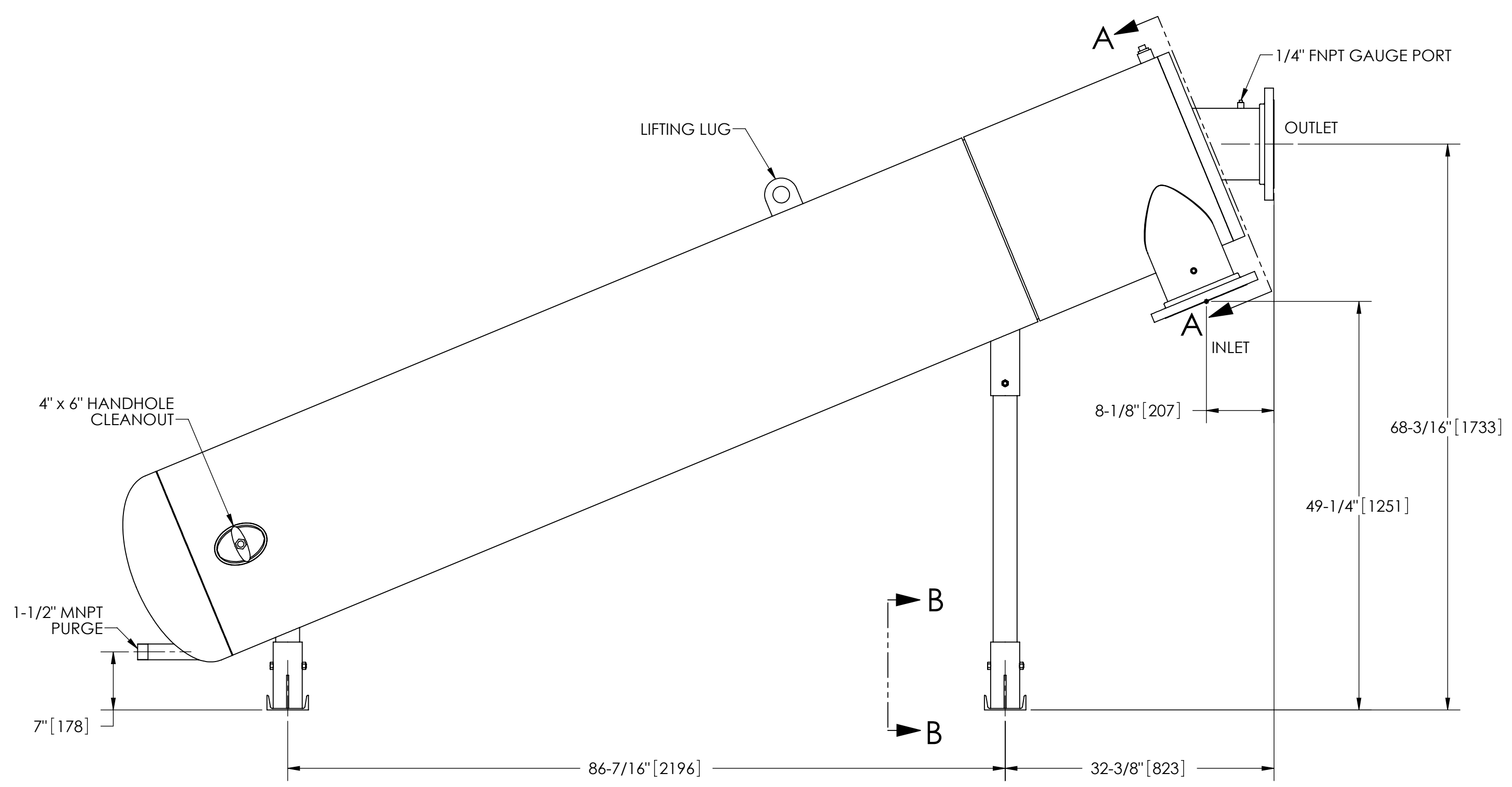
THIS DRAWING HAS BEEN GENERATED AND IS MAINTAINED BY A CAD SYSTEM. CHANGES SHALL ONLY BE INCORPORATED AS DIRECTED BY AN APPROVED ENGINEERING CHANGE ORDER (ECO). PAPER COPIES ARE UNCONTROLLED.



SECTION B-B



SECTION A-A



SUBMITTAL DRAWING

This drawing is submitted for spatial consideration only. Do not pre-plumb to these dimensions.

UNLESS OTHERWISE SPECIFIED: DIMENSIONS ARE IN: INCHES [mm] TOLERANCES ARE: FRACTIONS DECIMALS ANGLES ± 1" .XX ± .01 ± 1/4° .XXX ± .005 .XXXX ± .0005		ENGINEERED FOR: STANDARD		CLAUDE LAVAL CORP. FRESNO, CALIFORNIA 93727 WWW.LAKOS.COM		LAVAL UNDERGROUND SURVEYS	
DO NOT SCALE DRAWING		APPROVALS	DATE	TITLE			
MATERIAL CLASS P-1 MILD CARBON STEEL		DRAWN CAG	01/30/12	PWC-1080-L, SEPARATOR, 820-2050 GPM, CARBON STEEL			
FINISH POWDERCOAT LAKOS MEDIUM GRAY RAL-7005		ENGR SDF	8/2212	SIZE C	MODEL NO.	DWG NO. 133381	REV. 01
WORK ORDER		MFG -	-	SCALE 1:12	EST. WT. 1695 lb	SHEET 1 OF 1	

DWG. NO. 133381 SH 1 REV. 01