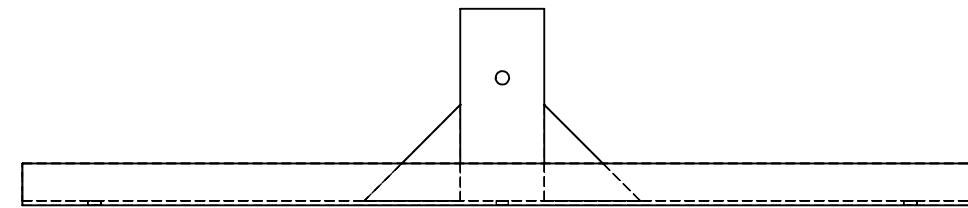
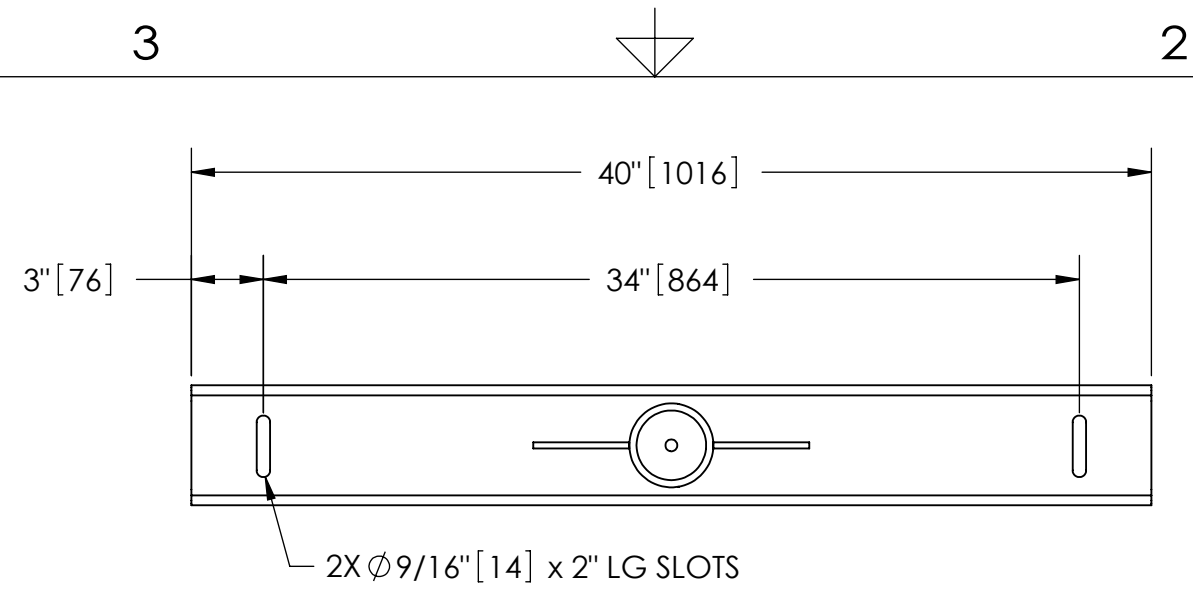


EXCEPT AS OTHERWISE PROVIDED BY CONTRACT, THIS DRAWING AND SPECIFICATIONS SHALL NOT BE REPRODUCED, COPIED OR USED AS THE BASIS FOR MANUFACTURE OR SALE OF MATTER DEPICTED HEREIN WITHOUT THE EXPRESSED WRITTEN PERMISSION OF THE CLAUDE LAVAL CORPORATION, OR ITS ASSIGNEES.

NOTES:

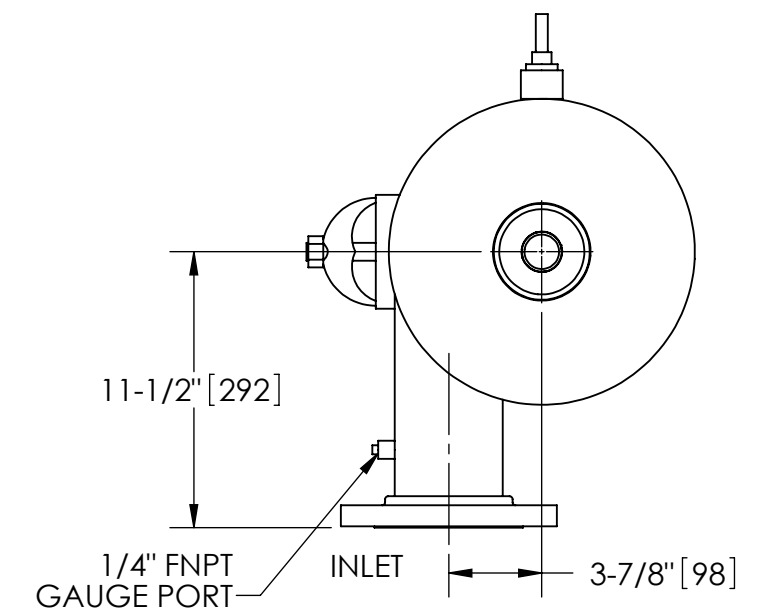
1. INLET & OUTLET FLANGES ARE 4" 150# RF PER ANSI B16.5 REQUIRING 8X ϕ 5/8" BOLTS (BOLTS AND GASKETS NOT INCLUDED).
2. MAXIMUM PRESSURE: 150 psi (10.3 bar).
3. MAXIMUM TEMPERATURE: 200°F (93.3°C).
4. PRESSURE LOSS: 2-15 psid (.14-1.03 bar) AT RATED FLOW.
5. RATED FLOW: 225-525 gpm (51-119 m³/hr).
6. APPROXIMATE DRY WEIGHT: 556 lbs (253 kg).
7. FINISH: POWDERCOAT LAKOS MEDIUM GRAY RAL-7005 (EXTERIOR ONLY).
8. CERTIFIED UNDER NSF/ANSI STANDARD NSF-61 & ANNEX G.



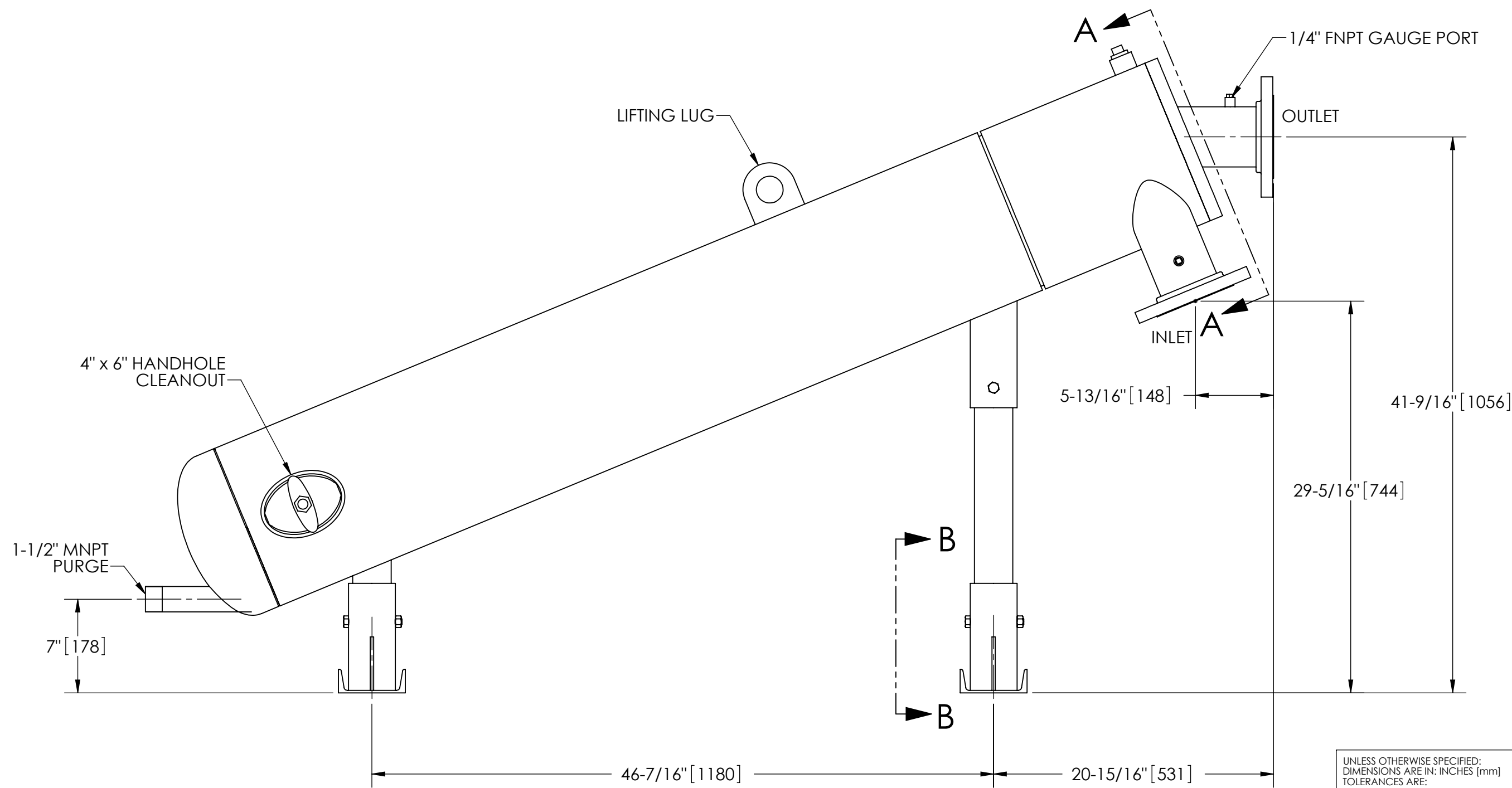
SECTION B-B

REVISIONS				
ECN	REV.	DESCRIPTION	DATE	APPROVED

THIS DRAWING HAS BEEN GENERATED AND IS MAINTAINED BY A CAD SYSTEM. CHANGES SHALL ONLY BE INCORPORATED AS DIRECTED BY AN APPROVED ENGINEERING CHANGE ORDER (ECO). PAPER COPIES ARE UNCONTROLLED.



SECTION A-A



SUBMITTAL DRAWING

This drawing is submitted for spatial consideration only. Do not pre-plumb to these dimensions.

UNLESS OTHERWISE SPECIFIED: DIMENSIONS ARE IN: INCHES (mm) TOLERANCES ARE:		ENGINEERED FOR: STANDARD		LAKOS CLAUDE LAVAL CORP. FRESNO, CALIFORNIA 93727 WWW.LAKOS.COM	LAVAL UNDERGROUND SURVEYS
FRACTIONS ± 1"	DECIMALS .XX ± .01 .XXX ± .005 .XXXX ± .0005	ANGLES ± 1/4°	APPROVALS		
DO NOT SCALE DRAWING		DRAWN	JB1	10/10/11	
MATERIAL CLASS P-1 MILD CARBON STEEL		ENGR	-	-	
FINISH POWDERCOAT LAKOS MEDIUM GRAY RAL-7005		MFG	-	-	
		WORK ORDER		SIZE C	MODEL NO.
				SCALE 1:8	DWG NO. 133375
				EST. WT. 556 lb	REV. A
				SHEET 1 OF 1	

DWG. NO. 133375 SH 1 REV. A