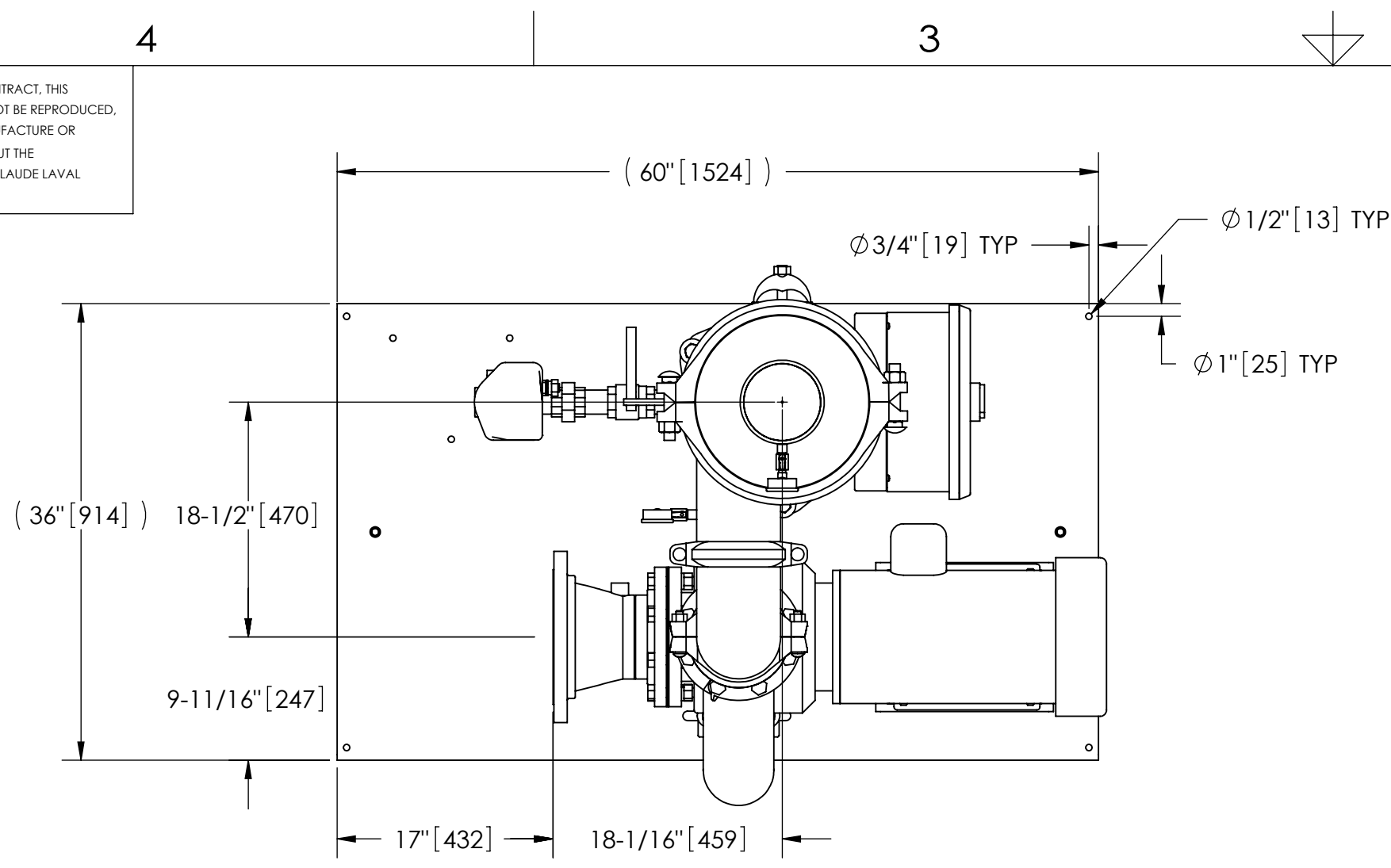


EXCEPT AS OTHERWISE PROVIDED BY CONTRACT, THIS DRAWING AND SPECIFICATIONS SHALL NOT BE REPRODUCED, COPIED OR USED AS THE BASIS FOR MANUFACTURE OR SALE OF MATTER DEPICTED HEREIN WITHOUT THE EXPRESSED WRITTEN PERMISSION OF THE CLAUDE LAVAL CORPORATION, OR ITS ASSIGNEES.

THIS DRAWING HAS BEEN GENERATED AND IS MAINTAINED BY A CAD SYSTEM. CHANGES SHALL ONLY BE INCORPORATED AS DIRECTED BY AN APPROVED ENGINEERING CHANGE ORDER (ECO). PAPER COPIES ARE UNCONTROLLED.

| REVISIONS | | | | |
|-----------|------|-------------|------|----------|
| ZONE | REV. | DESCRIPTION | DATE | APPROVED |
| | | | | |



TOP VIEW

NOTES:

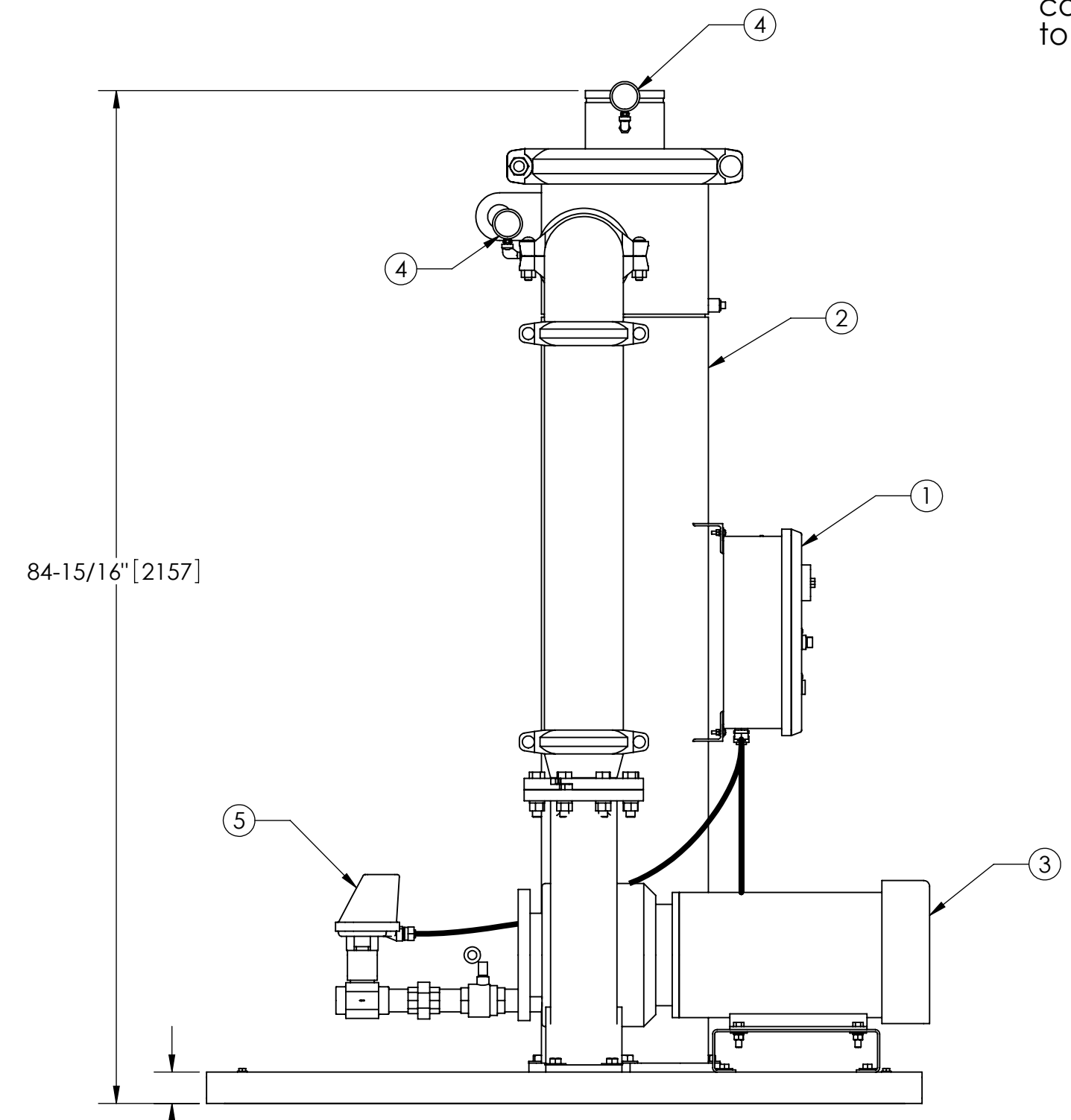
1. INLET IS 8" PIPE (150# ANSI FLANGED).
2. OUTLET IS 6" PIPE (GROOVED).
3. PURGE OUTLET IS 1-1/2" PIPE.
4. MAXIMUM PRESSURE: 150 psi (10.3 bar).
5. MAXIMUM TEMPERATURE: 100°F (37.8°C).
6. SPECIFIED FLOWRATE OF 1100 gpm (250 m³/hr).
7. FINISH: AS ASSEMBLED.
8. POWER REQUIREMENT: 460V, 3PH, 60Hz.
9. NEMA 4X MOTOR STARTER ENCLOSURE WITH SAFETY DISCONNECT AND H.O.A. SWITCH.
10. APPROXIMATE DRY WEIGHT: 1929 lbs (875 kg).
11. INLET/OUTLET VALVE KIT, MODEL TCV-1100 RECOMMENDED.
12. MINIMUM PIPE TO TB SYSTEM IS 10" PIPE.
13. FLOODED SUCTION REQUIRED.

COMPONENT LIST:

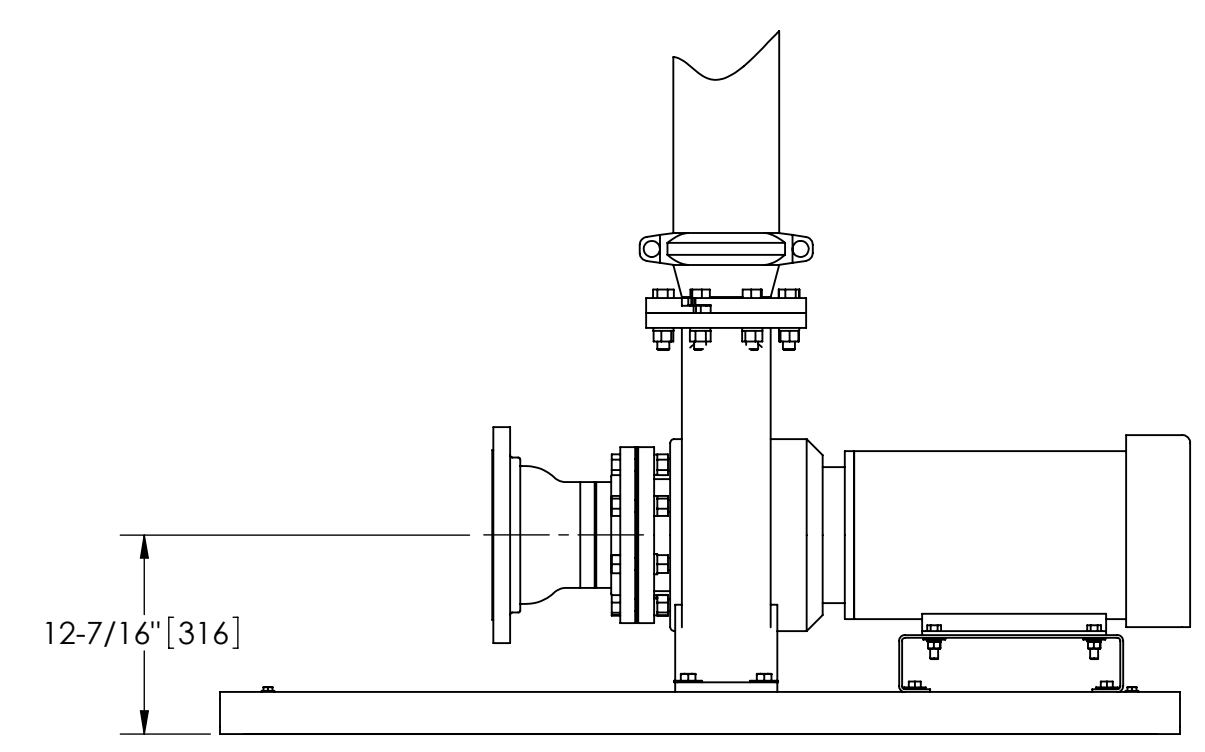
- ① ELECTRICAL CONTROL BOX 460V 60Hz W/120V TRANSFORMER.
- ② SEPARATOR: HTX-0500-TC.
- ③ PUMP: 20 HP CENTRIFUGAL, 1750 rpm, 460V, 60Hz.
- ④ INLET/OUTLET PRESSURE GAUGES: 0-100 psi, GLYCERIN-FILLED.
- ⑤ PURGE EQUIPMENT: ABV-15-120V.

SUBMITTAL DRAWING

This drawing is submitted for spatial consideration only. Do not pre-plumb to these dimensions.



FRONT VIEW W/O SPOOL



FRONT VIEW PUMP AND SPOOL

| | | | | |
|--|------------------------------------|---------|--|---------------------------|
| UNLESS OTHERWISE SPECIFIED: DIMENSIONS ARE IN: INCHES (mm) TOLERANCES ARE: FRACTIONS .XX ± .01 ± 1/4" DECIMALS .XXX ± .005 ANGLES ± .0005 | ENGINEERED FOR: STANDARD | | LAKOS CLAUDE LAVAL CORP. FRESNO, CALIFORNIA 93727 WWW.LAKOS.COM | LAVAL UNDERGROUND SURVEYS |
| | APPROVALS | DATE | | |
| DO NOT SCALE DRAWING | DRAWN HSK | 5/23/05 | TITLE TBX-1100-ABV, TC SYSTEM, SIDESTREAM HTX-0500, 460V 60HZ DELUXE | |
| MATERIAL PER LAKOS SPEC | ENGR DLW | 8/29/07 | | |
| FINISH AS ASSEMBLED | MFG - | - | SIZE C | MODEL NO. |
| | WORK ORDER | QTY. | DWG NO. 122718 | REV. B |
| | | | SCALE 1:12 | EST. WT. 1929 lb |
| | | | | SHEET 1 OF 1 |

DWG NO. 122718
SHEET 1 OF 1
REV. B