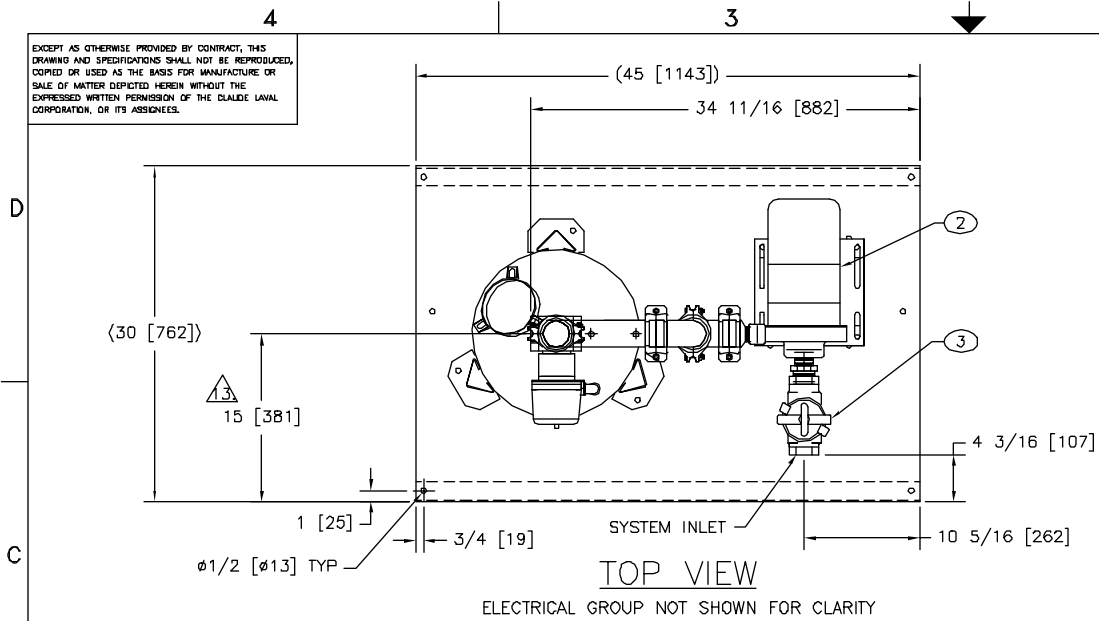


EXCEPT AS OTHERWISE PROVIDED BY CONTRACT, THIS DRAWING AND SPECIFICATIONS SHALL NOT BE REPRODUCED, COPIED OR USED AS THE BASIS FOR MANUFACTURE OR SALE OF MATTER DEPICTED HEREIN WITHOUT THE EXPRESSED WRITTEN PERMISSION OF THE CLAUDE LAVAL CORPORATION, OR ITS ASSIGNEES.

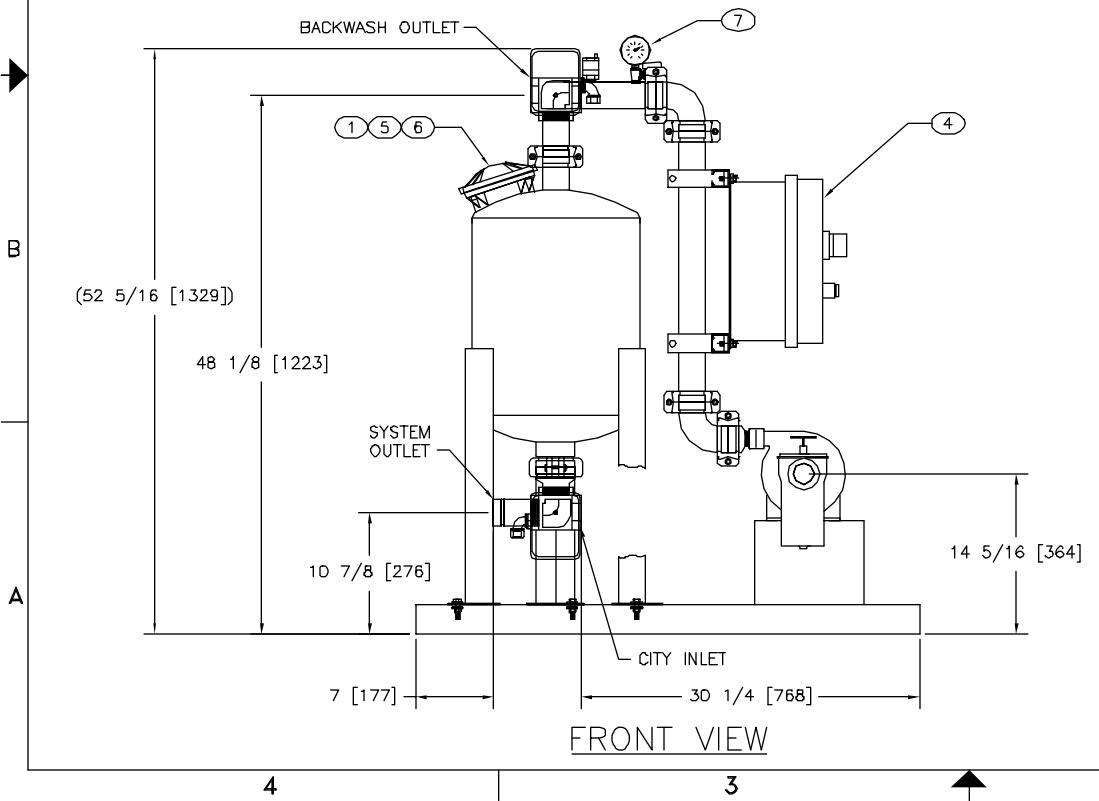
REVISIONS				
ZONE	REV	DESCRIPTION	DATE	APPROVED
-	A	UPDATED FLOW RATES	7/2/03	NAC
-	B	NEW VALVES AND LAYOUT	11/10/03	NAC

THIS DRAWING HAS BEEN GENERATED AND IS MAINTAINED BY A CAD SYSTEM. CHANGES SHALL ONLY BE INCORPORATED AS DIRECTED BY AN APPROVED ENGINEERING CHANGE ORDER (ECO). PAPER COPIES ARE UNCONTROLLED.



NOTES:

1. INLET IS 1-1/2" (FNPT).
2. OUTLET IS 2" (GROOVED).
3. BACKWASH IS 2" (FNPT).
4. MAXIMUM PRESSURE: 100 psi (6.9 bar).
5. MAXIMUM TEMPERATURE: 100°F (37.8°C).
6. SPECIFIED MAXIMUM FLOWRATE OF 25 gpm (6 m³/hr).
7. SPECIFIED MINIMUM BACKWASH FLOW RATE OF 18 gpm (4 m³/hr).
8. POWER REQUIREMENT: 460V, 3PH, 60HZ
9. NEMA 4X MOTOR STARTER ENCLOSURE WITH SAFETY DISCONNECT, H.O.A. SWITCH, 24 HR BACKWASH TIMER AND BACKWASH CYCLE TIMER.
10. APPROXIMATE DRY WEIGHT: 385 lbs (175 kg).
11. MINIMUM PIPE SIZE TO STS SYSTEM INLET IS 2".
12. FLOODED SUCTION REQUIRED.
13. DIM APPLICABLE TO BOTH OUTLET & BACKWASH DRAIN.
14. FINISHED: AS ASSEMBLED



1. MEDIA TANK: 15" DIAMETER STAINLESS STEEL FILTER.
2. PUMP: 1/2 HP CENTRIFUGAL, CAST IRON, TEFC, 3500 rpm.
3. STRAINER: CAST IRON BASKET STRAINER.
4. ELECTRICAL CONTROL BOX: 460V 60HZ W/115V TRANSFORMER.
5. MEDIA: 10 MICRON AT 95% EFFICIENCY - STANDARD.
5 MICRON AT 90% EFFICIENCY - OPTIONAL.
6. UNDERDRAIN: S/40 PVC HEADER, PVC INTERNALLY SLOTTED WELL SCREEN.
7. INLET/OUTLET PRESSURE GAUGES: 0-100 PSI, GLYCERIN-FILLED.

SUBMITTAL DRAWING

This drawing is submitted for spatial consideration only. Do not pre-plumb to these dimensions.

UNLESS OTHERWISE SPECIFIED: DIMENSIONS ARE IN: INCHES (mm) TOLERANCES ARE: FRACTIONS DECIMALS ANGLES ± 1/2" ± .005 ± 1/4" DO NOT SCALE DRAWING	DESIGNED FOR: STANDARD	CLAUDE LAVAL CORP. 1365 N. CLOVIS AVE. FRESNO, CALIFORNIA 93727
	APPROVALS: _____ DATE: 4/8/02	
MATERIAL: SEE LAKOS SPEC	DRAWN: NAC DATE: 12/8/03	TITLE: STS-15-025-A-C, SS MEDIA SYSTEM CITY BW, AUTO, 460V 60HZ
FINISH: AS ASSEMBLED	ENVR: _____	SIZE: C MODEL NO.: 117973 REV: B
WORK ORDER: _____	QTY: _____	SCALE: 1/8" SHEET 1 OF 1

DWG NO. 117973 BR 1 REV B A