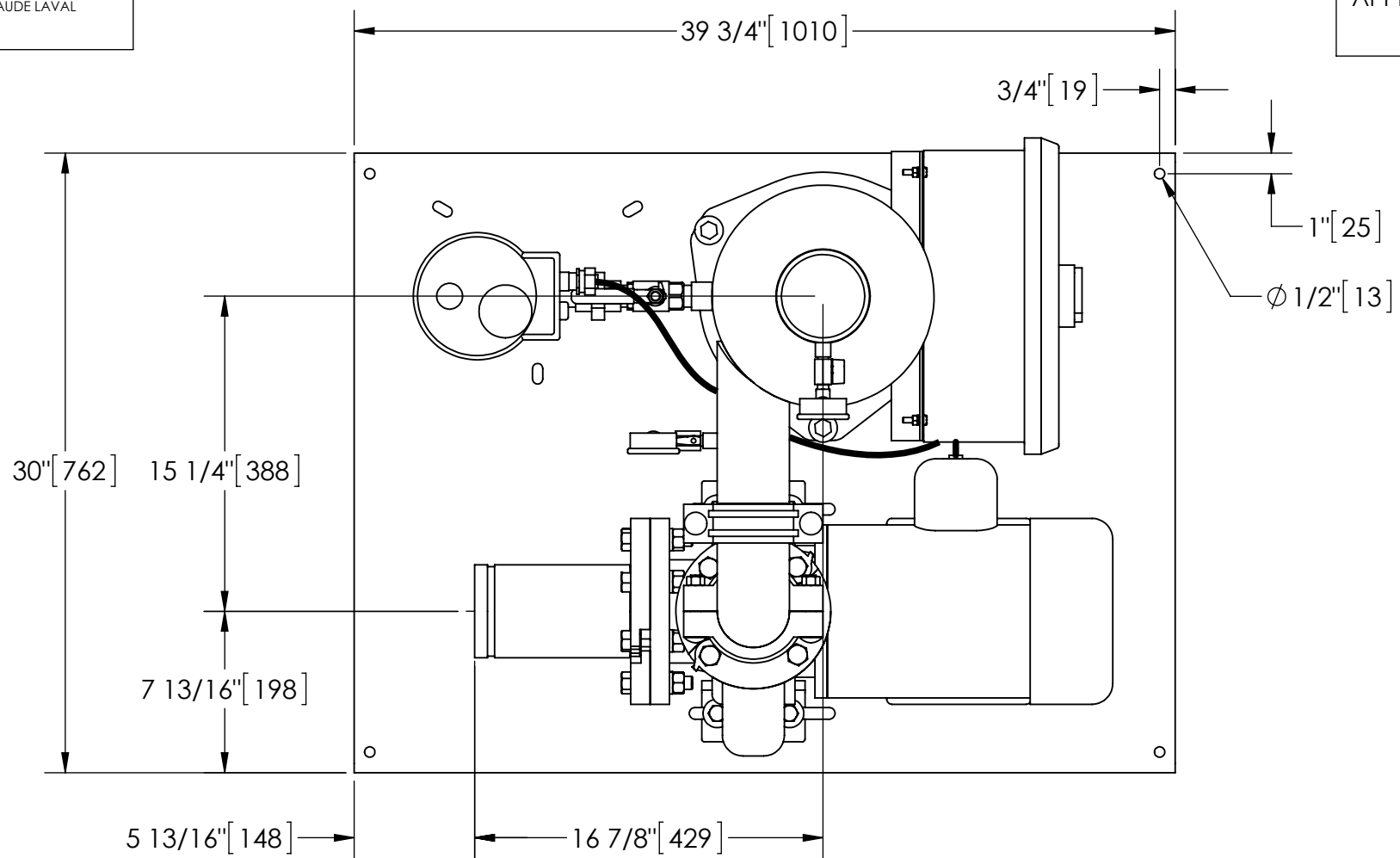


EXCEPT AS OTHERWISE PROVIDED BY CONTRACT, THIS DRAWING AND SPECIFICATIONS SHALL NOT BE REPRODUCED, COPIED OR USED AS THE BASIS FOR MANUFACTURE OR SALE OF MATTER DEPICTED HEREIN WITHOUT THE EXPRESSED WRITTEN PERMISSION OF THE CLAUDE LAVAL CORPORATION, OR ITS ASSIGNEES.

THIS DRAWING HAS BEEN GENERATED AND IS MAINTAINED BY A CAD SYSTEM. CHANGES SHALL ONLY BE INCORPORATED AS DIRECTED BY AN APPROVED ENGINEERING CHANGE ORDER (ECO). PAPER COPIES ARE UNCONTROLLED.

REVISION HISTORY				
ZONE	REV	DESCRIPTION	DATE	APPROVED



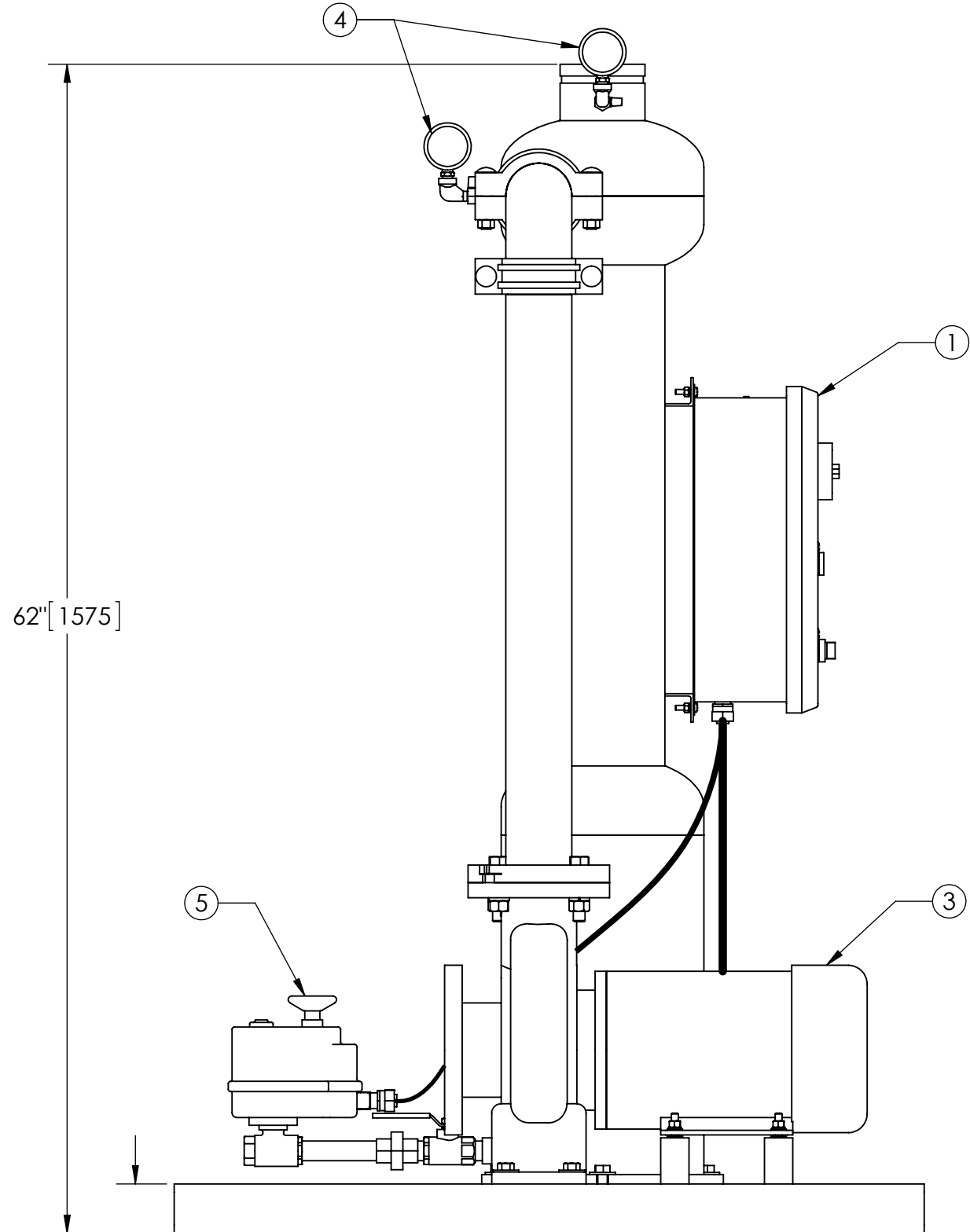
TOP VIEW

- NOTES:
- INLET IS 4" PIPE (GROOVED).
 - OUTLET IS 4" PIPE (GROOVED).
 - PURGE OUTLET IS 3/4" PIPE.
 - MAXIMUM PRESSURE: 150 psi (10.3 bar).
 - MAXIMUM TEMPERATURE: 100°F (37.8°C).
 - SPECIFIED FLOWRATE OF 280 gpm (64 m³/hr).
 - FINISH: AS ASSEMBLED.
 - POWER REQUIREMENT: 460V, 3PH, 60Hz.
 - NEMA 4X MOTOR STARTER ENCLOSURE WITH SAFETY DISCONNECT AND H.O.A. SWITCH.
 - APPROXIMATE DRY WEIGHT: 740 lbs (336 kg).
 - INLET/OUTLET VALVE KIT, MODEL TCV-0280 RECOMMENDED.
 - MINIMUM PIPE TO TB SYSTEM IS 6" PIPE.
 - FLOODED SUCTION REQUIRED.

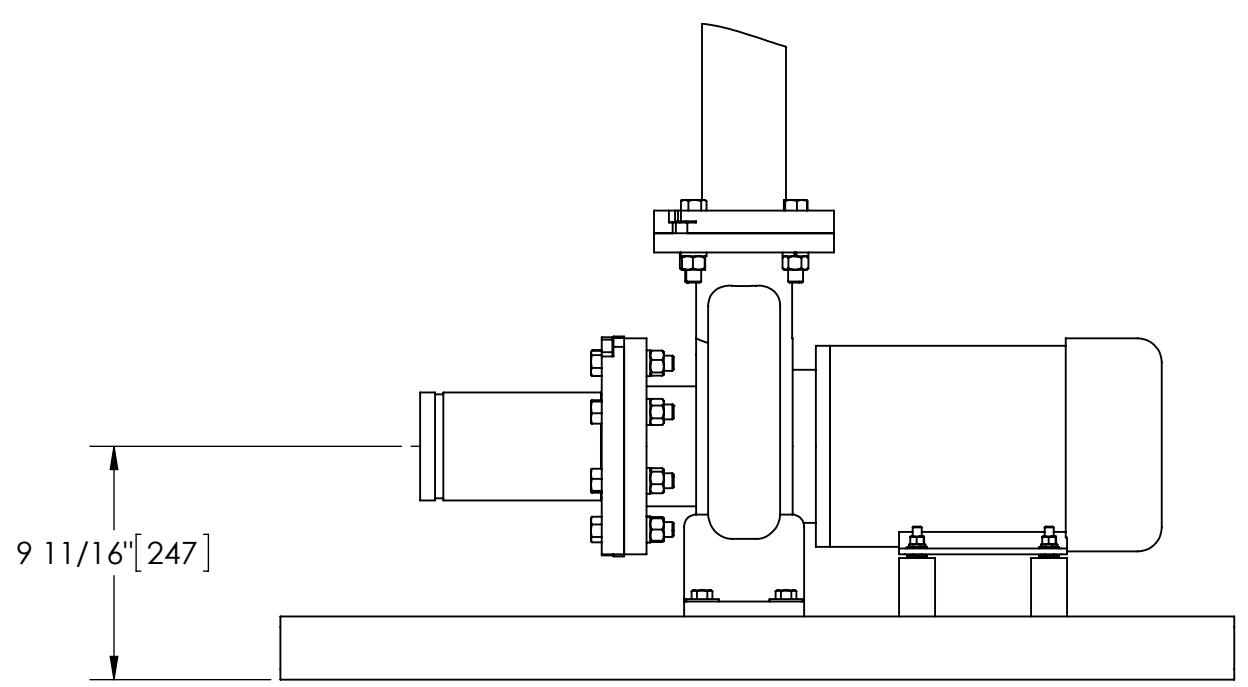
- COMPONENT LIST:
- ELECTRICAL CONTROL BOX 460V 60Hz W/120V TRANSFORMER.
 - SEPARATOR: ILB-0350-TC.
 - PUMP: 5 HP CENTRIFUGAL, 1750 rpm, 460V, 60Hz.
 - INLET/OUTLET PRESSURE GAUGES: 0-100 psi, GLYCERIN-FILLED.
 - PURGE EQUIPMENT: ABV-07-120V.

SUBMITTAL DRAWING

This drawing is submitted for spatial consideration only. Do not pre-plumb to these dimensions.



SIDE VIEW W/O TEE



PUMP & TEE VIEW

UNLESS OTHERWISE SPECIFIED: DIMENSIONS ARE IN: INCHES (mm) TOLERANCES ARE: FRACTIONS DECIMALS ANGLES ± 1/2" .XX ± .01 ± 1/4" .XXX ± .005 .XXXX ± .0005	ENGINEERED FOR: STANDARD	CLAUDE LAVAL CORP. FRESNO, CALIFORNIA 93727 WWW.LAKOS.COM	LAVAL UNDERGROUND SURVEYS
	APPROVALS		
DO NOT SCALE DRAWING	DRAWN DLW	5/2/05	TITLE
MATERIAL PER LAKOS SPEC	ENGR HSK	7/21/05	TBI-0280-ABV, TC SYSTEM, SIDESTREAM ILB-0350, 460V 60HZ STD
FINISH AS ASSEMBLED	MFG -	-	SIZE MODEL NO. DWG NO. 122709
	WORK ORDER	QTY.	SCALE 1:12 EST. WT. 740 lb SHEET 1 OF 1

D

C

B

A

D

C

B

A

DWG NO.

122709

SHT

1

REV.

B