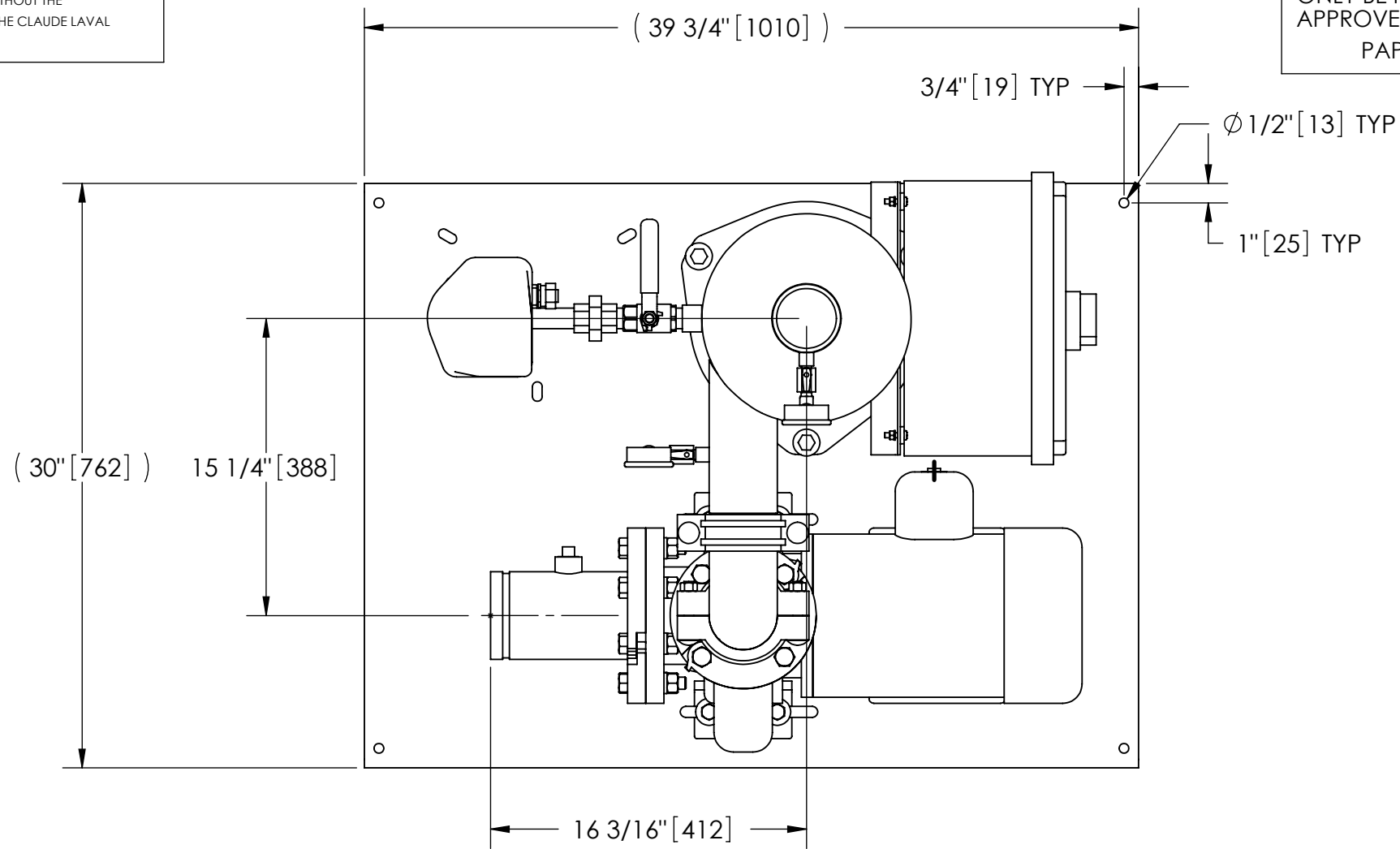


EXCEPT AS OTHERWISE PROVIDED BY CONTRACT, THIS DRAWING AND SPECIFICATIONS SHALL NOT BE REPRODUCED, COPIED OR USED AS THE BASIS FOR MANUFACTURE OR SALE OF MATTER DEPICTED HEREIN WITHOUT THE EXPRESSED WRITTEN PERMISSION OF THE CLAUDE LAVAL CORPORATION, OR ITS ASSIGNEES.

THIS DRAWING HAS BEEN GENERATED AND IS MAINTAINED BY A CAD SYSTEM. CHANGES SHALL ONLY BE INCORPORATED AS DIRECTED BY AN APPROVED ENGINEERING CHANGE ORDER (ECO). PAPER COPIES ARE UNCONTROLLED.

| REVISION HISTORY | | | | |
|------------------|-----|-------------|------|----------|
| ZONE | REV | DESCRIPTION | DATE | APPROVED |
| | | | | |



TOP VIEW

NOTES:

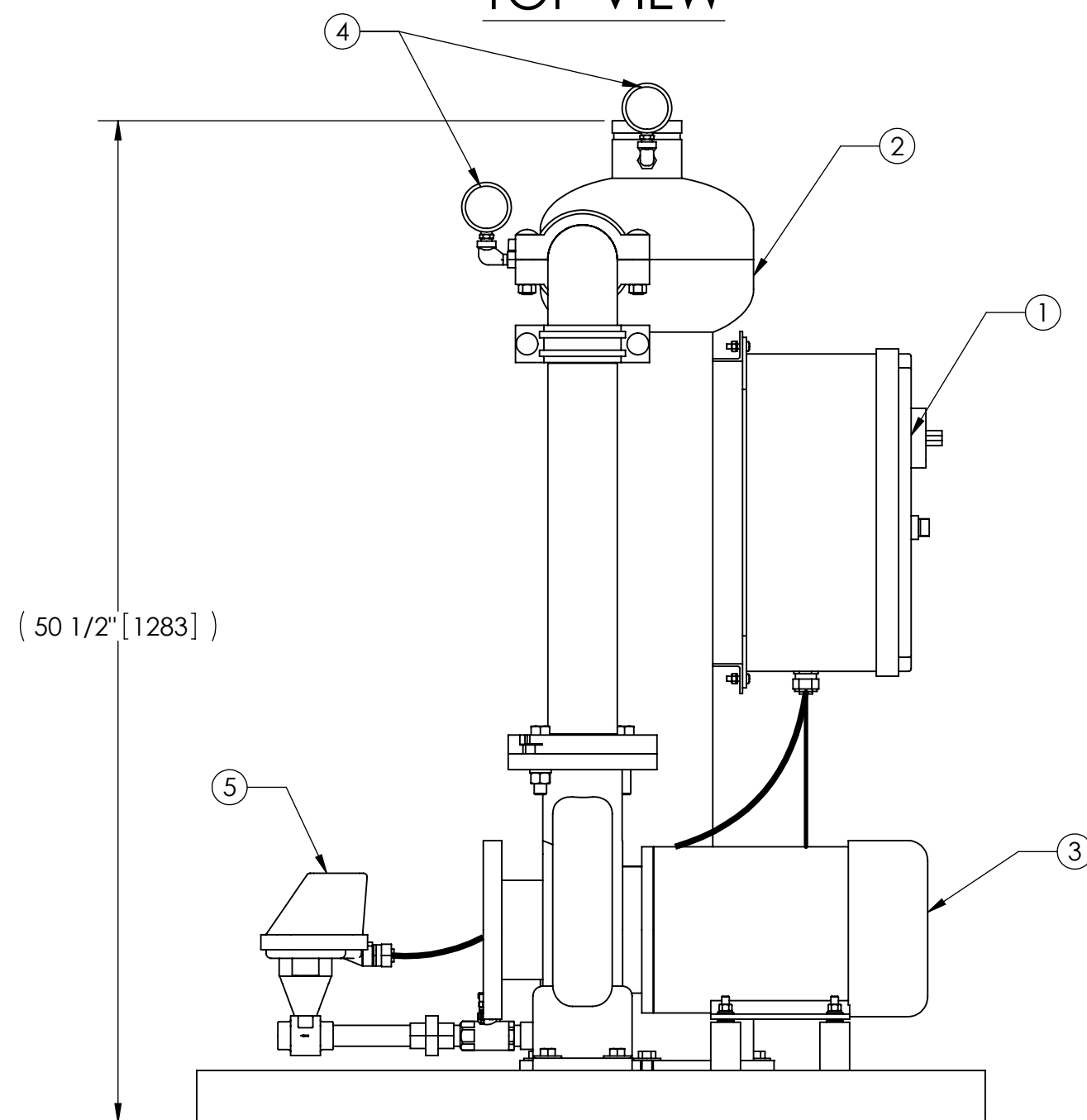
1. INLET IS 3" PIPE (GROOVED).
2. OUTLET IS 3" PIPE (GROOVED).
3. PURGE OUTLET IS 3/4" PIPE.
4. MAXIMUM PRESSURE: 150 psi (10.3 bar).
5. MAXIMUM TEMPERATURE: 100°F (37.8°C).
6. SPECIFIED FLOWRATE OF 200 gpm (45 m³/hr).
7. FINISH: AS ASSEMBLED.
8. POWER REQUIREMENT: 460V, 3PH, 60Hz.
9. NEMA 4X MOTOR STARTER ENCLOSURE WITH SAFETY DISCONNECT AND H.O.A. SWITCH.
10. APPROXIMATE DRY WEIGHT: 682 lbs (309 kg).
11. INLET/OUTLET VALVE KIT, MODEL TCV-0200 RECOMMENDED.
12. MINIMUM PIPE TO TB SYSTEM IS 4" PIPE.
13. FLOODED SUCTION REQUIRED.

COMPONENT LIST:

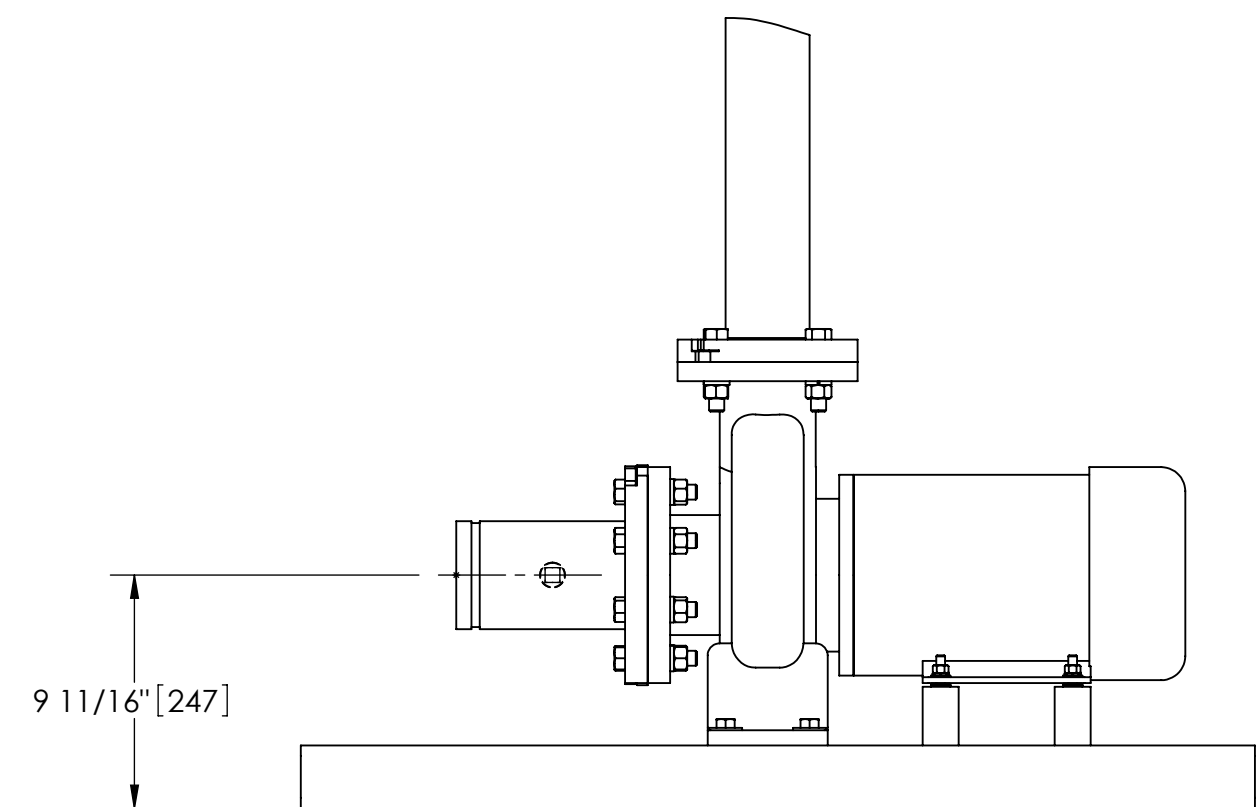
- ① ELECTRICAL CONTROL BOX 460V 60Hz W/120V TRANSFORMER.
- ② SEPARATOR: ILB-0300-TC.
- ③ PUMP: 5 HP CENTRIFUGAL, 1750 rpm, 460V, 60Hz.
- ④ INLET/OUTLET PRESSURE GAUGES: 0-100 psi, GLYCERIN-FILLED.
- ⑤ PURGE EQUIPMENT: CMBV-07-120V.

SUBMITTAL DRAWING

This drawing is submitted for spatial consideration only. Do not pre-plumb to these dimensions.



FRONT VIEW W/O SPOOL



FRONT VIEW PUMP & SPOOL

| | | | | |
|---|------------------------------------|---------|--|--|
| <small>UNLESS OTHERWISE SPECIFIED: DIMENSIONS ARE IN: INCHES (mm) TOLERANCES ARE: FRACTIONS DECIMALS ANGLES ± 1/2" .XX ± .01 ± 1/4" .XXX ± .005 .XXXX ± .0005</small> | ENGINEERED FOR: STANDARD | | <small>CLAUDE LAVAL CORP. FRESNO, CALIFORNIA 93727 WWW.LAKOS.COM</small> | <small>LAVAL UNDERGROUND SURVEYS</small> |
| | APPROVALS | DATE | | |
| | DRAWN DLW | 5/2/05 | | |
| | ENGR HSK | 6/21/05 | | |
| MATERIAL PER LAKOS SPEC | MFG | - | TITLE TBI-0200-CMBV, TC SYSTEM, SIDESTREAM ILB-0300, 460V 60HZ STD | |
| FINISH AS ASSEMBLED | WORK ORDER | QTY. | SIZE C | MODEL NO. |
| | | | DWG NO. 115474 | REV. B |
| | | | SCALE 1:8 | EST. WT. 682 lb |
| | | | SHEET 1 OF 1 | |

DWG NO. 115474
SHEET 1 OF 1
REV. B