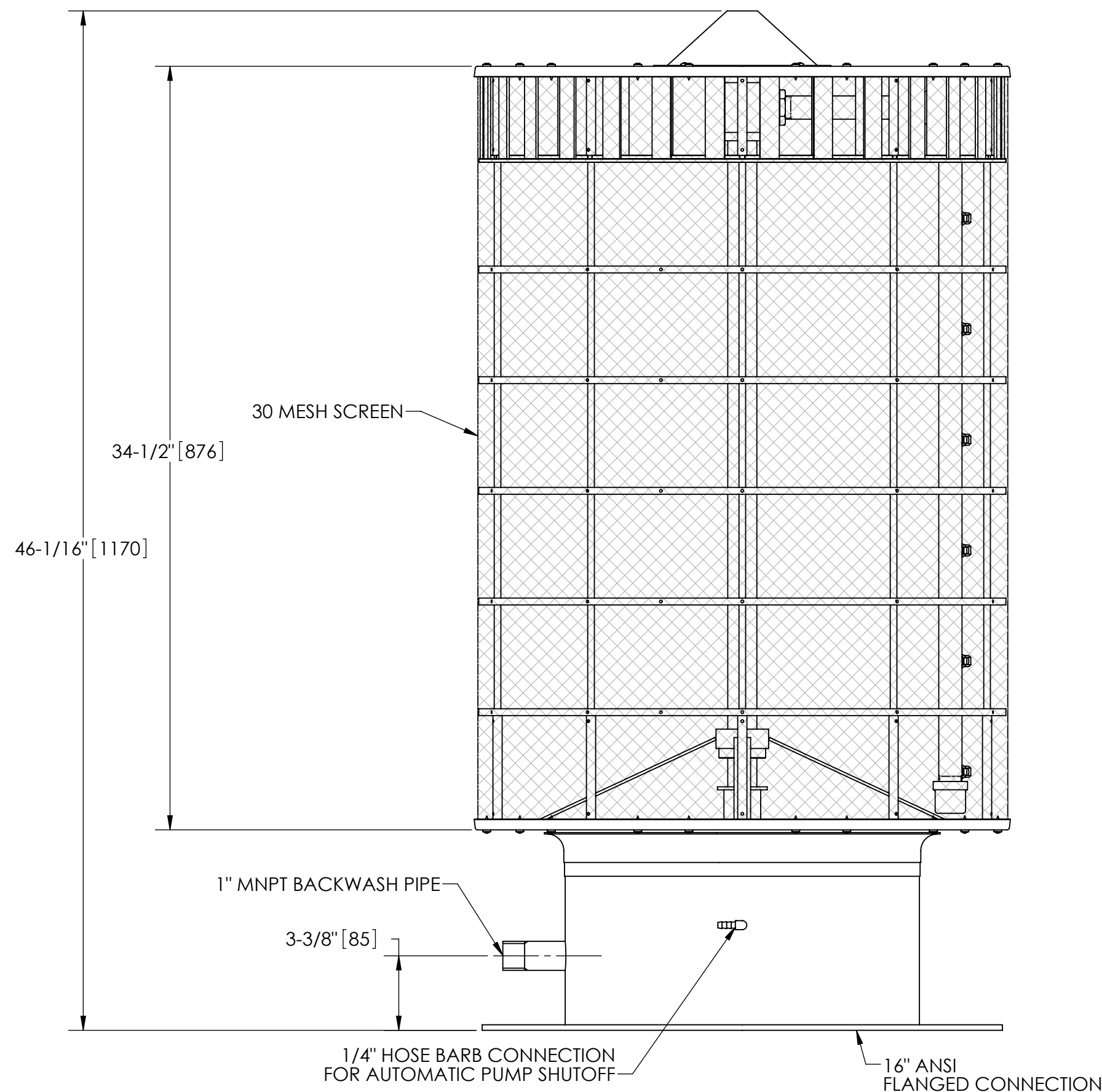
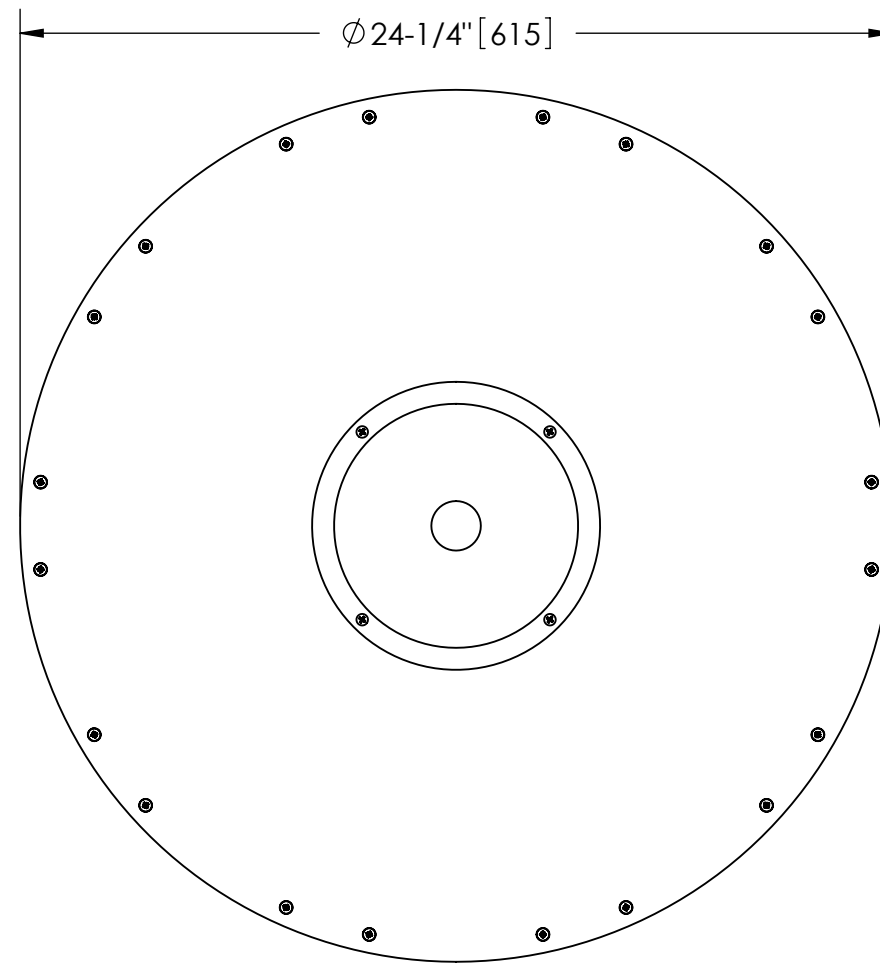


EXCEPT AS OTHERWISE PROVIDED BY CONTRACT, THIS DRAWING AND SPECIFICATIONS SHALL NOT BE REPRODUCED, COPIED OR USED AS THE BASIS FOR MANUFACTURE OR SALE OF MATTER DEPICTED HEREIN WITHOUT THE EXPRESSED WRITTEN PERMISSION OF THE CLAUDE LAVAL CORPORATION, OR ITS ASSIGNEES.

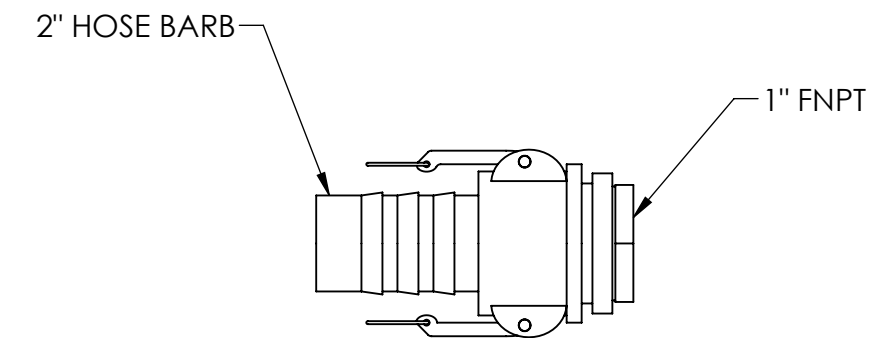
NOTES:

1. OUTLET FLANGE IS 16" ANSI B16.5 HOLE PATTERN REQUIRING 16X 1" BOLTS (BOLTS AND GASKETS NOT INCLUDED).
2. REQUIRED BACKWASH PRESSURE: 75-100 psi (5.1-6.9 bar).
3. APPROXIMATE BACKWASH FLOW AT PROPER PRESSURE: 50 gpm (11.5 m³/hr).
4. MAXIMUM FLOWRATE: 1900 gpm (432 m³/hr).
5. APPROXIMATE DRY WEIGHT: 95 lb (43 kg).
6. FINISH: GLASSBLAST

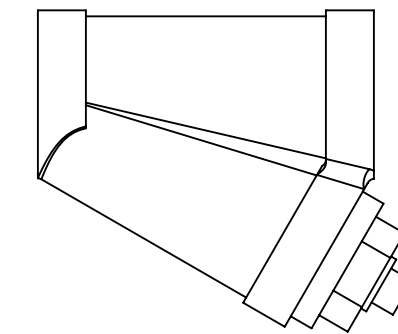


REVISIONS				
ZONE	REV.	DESCRIPTION	DATE	APPROVED

THIS DRAWING HAS BEEN GENERATED AND IS MAINTAINED BY A CAD SYSTEM. CHANGES SHALL ONLY BE INCORPORATED AS DIRECTED BY AN APPROVED ENGINEERING CHANGE ORDER (ECO). PAPER COPIES ARE UNCONTROLLED.



2" QUICK DISCONNECT ADAPTER (INCLUDED)
SCALE 1:4



2" INLINE STRAINER (INCLUDED)
SCALE 1:4

SUBMITTAL DRAWING

This drawing is submitted for spatial consideration only. Do not pre-plumb to these dimensions.

UNLESS OTHERWISE SPECIFIED: DIMENSIONS ARE IN: INCHES [mm] TOLERANCES ARE: FRACTIONS DECIMALS ANGLES ± 1/4" .XX ± .01 ± 1/4° .XXX ± .005 .XXXX ± .0005	ENGINEERED FOR: STANDARD		CLAUDE LAVAL CORP. FRESNO, CALIFORNIA 93727 WWW.LAKOS.COM	LAVAL UNDERGROUND SURVEYS
	APPROVALS	DATE		
DO NOT SCALE DRAWING	DRAWN	JB1	6/11/07	TITLE
MATERIAL	ENGR	JB1	6/11/07	ISF-3424-30, PC SCREEN 3424 30 MESH INDUSTRIAL, STAINLESS STEEL
FINISH	MFG	-	-	SIZE
SEE NOTES	WORK ORDER			C
				MODEL NO.
				DWG NO.
				103082
				REV.
				01
				EST. WT.
				95 lb
				SHEET
				1 OF 1
				SCALE
				3:16

DWG NO. 103082
SHEET 1
REV. 01