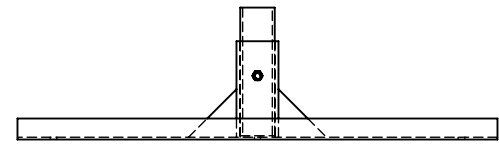
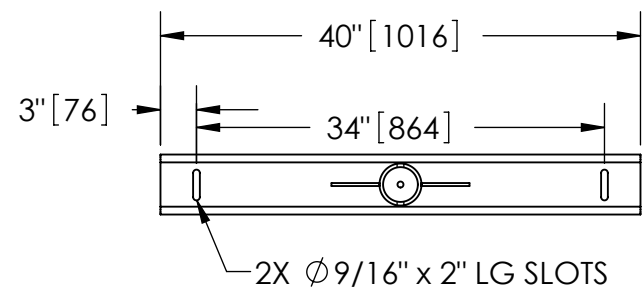


EXCEPT AS OTHERWISE PROVIDED BY CONTRACT, THIS DRAWING AND SPECIFICATIONS SHALL NOT BE REPRODUCED, COPIED OR USED AS THE BASIS FOR MANUFACTURE OR SALE OF MATTER DEPICTED HEREIN WITHOUT THE EXPRESSED WRITTEN PERMISSION OF THE CLAUDE LAVAL CORPORATION, OR ITS ASSIGNEES.

NOTES:

1. INLET & OUTLET ARE 12" GROOVED PIPE.
2. MAXIMUM PRESSURE: 150 psi (10.3 bar).
3. MAXIMUM TEMPERATURE: 180°F (82.2°C).
4. PRESSURE LOSS: 3-12 psid (.2-.8 bar) AT RATED FLOW.
5. RATED FLOW: 1950-4350 gpm (443-988 m³/hr).
6. APPROXIMATE DRY WEIGHT: 1695 lbs (772 kg).
7. FINISH: LAKOS GREEN (EXTERIOR ONLY).

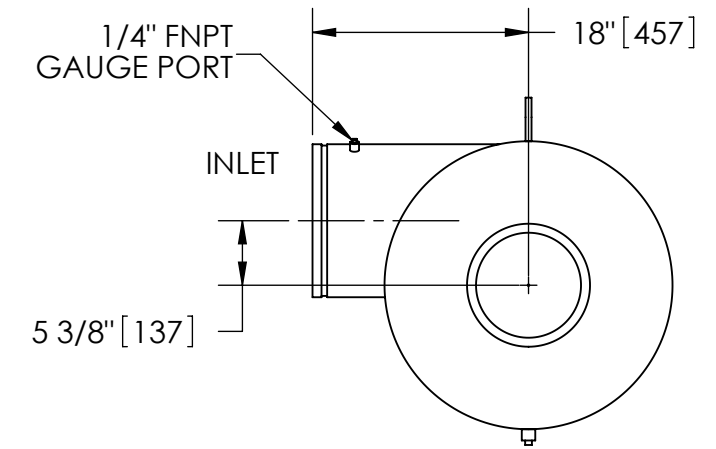


SECTION B-B

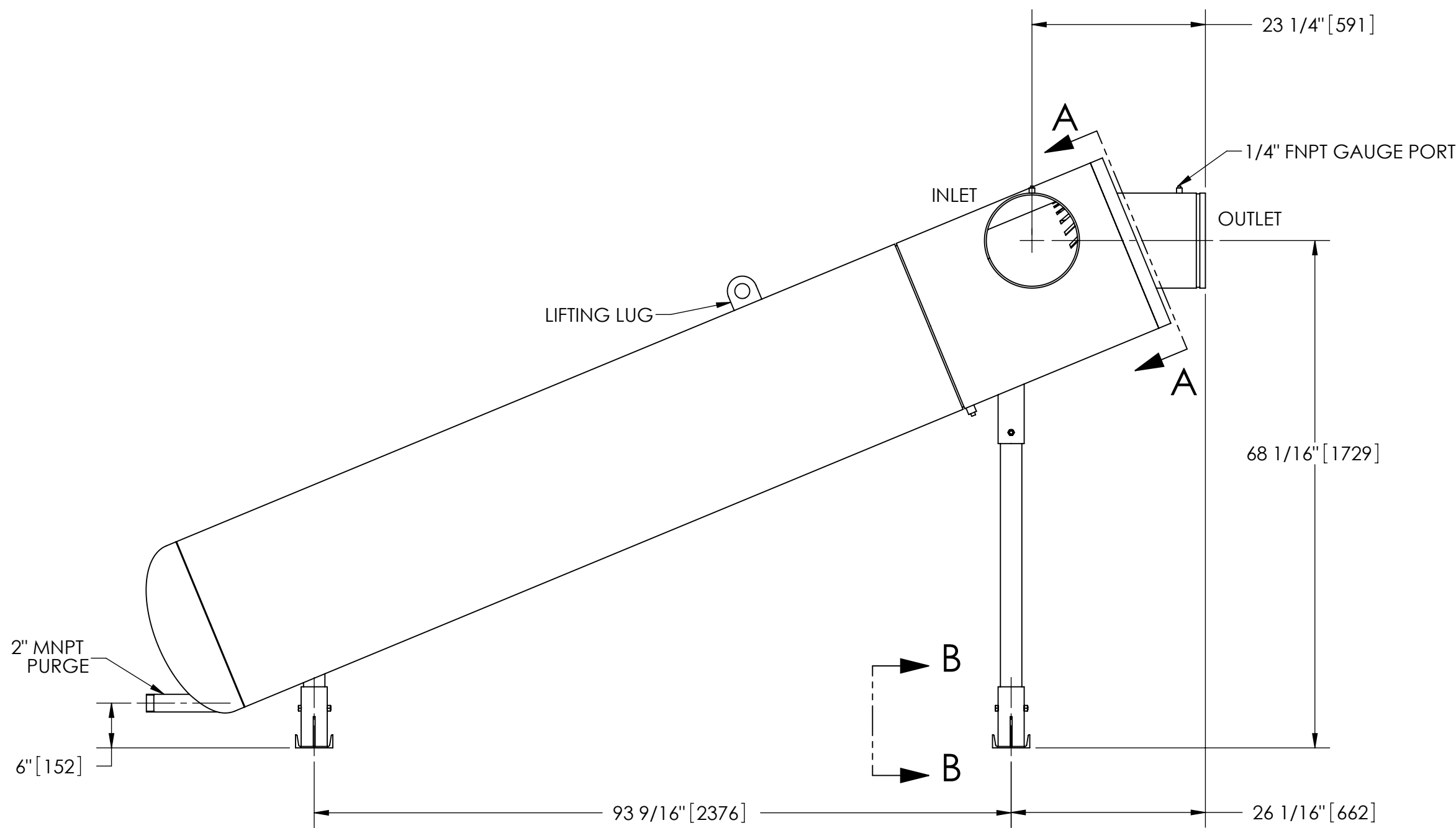
REVISION HISTORY

| ZONE | REV | DESCRIPTION | DATE | APPROVED |
|------|-----|-------------|------|----------|
| | | | | |

THIS DRAWING HAS BEEN GENERATED AND IS MAINTAINED BY A CAD SYSTEM. CHANGES SHALL ONLY BE INCORPORATED AS DIRECTED BY AN APPROVED ENGINEERING CHANGE ORDER (ECO). PAPER COPIES ARE UNCONTROLLED.



SECTION A-A



SUBMITTAL DRAWING

This drawing is submitted for spatial consideration only. Do not pre-plumb to these dimensions.

| | | | | | | | |
|--|--------------------------------|------------------------------------|------|---|-----------|---------------------------|--------|
| UNLESS OTHERWISE SPECIFIED: DIMENSIONS ARE IN: INCHES [mm] TOLERANCES ARE: FRACTIONS DECIMALS ANGLES ± 1/4" .XX ± .01 ± 1/4° XXX ± .005 XXXX ± .0005 | | ENGINEERED FOR: STANDARD | | CLAUDE LAVAL CORP. FRESNO, CALIFORNIA 93727 WWW.LAKOS.COM | | LAVAL UNDERGROUND SURVEYS | |
| DO NOT SCALE DRAWING | | APPROVALS | DATE | TITLE IHB-1950, SEPARATOR, 1950-4350 gpm, CARBON STEEL | | | |
| MATERIAL | CLASS P-1 MILD CARBON STEEL | DRAWN | DLW | 1/27/06 | SIZE C | | |
| FINISH | LAKOS GREEN | ENGR | β | 1/30/06 | MODEL NO. | DWG NO. | REV. |
| | | MFG | - | - | | 115205 | C |
| | | WORK ORDER | | QTY. | SCALE | EST. WT. | SHEET |
| | | | | | 1:16 | 1695 lb | 1 OF 1 |

DWG NO. 115205 SH 1 REV C