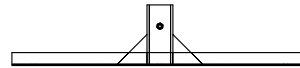
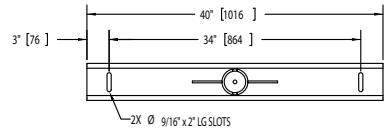


EXCEPT AS OTHERWISE PROVIDED BY CONTRACT, THE DRAWING AND SPECIFICATIONS SHALL NOT BE REPRODUCED, COPIED OR USED IN ANY MANNER WITHOUT THE WRITTEN PERMISSION OF THE CLAUDE LALAK CORPORATION OR ITS ASSIGNEES.

NOTES:

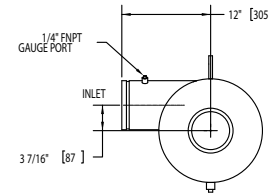
1. INLET & OUTLET ARE 6 " GROOVED PIPE.
2. MAXIMUM PRESSURE: 150 psi (10.3 bar).
3. MAXIMUM TEMPERATURE: 180°F (82.2°C).
4. PRESSURE LOSS: 3-12 psid (2-8 bar) AT RATED FLOW.
5. RATED FLOW: 500 -1100 gpm (115-250 m<sup>3</sup>/hr).
6. APPROXIMATE DRY WEIGHT: 696 lbs (316 kg).
7. FINISH: LAKOS GREEN (EXTERIOR ONLY).



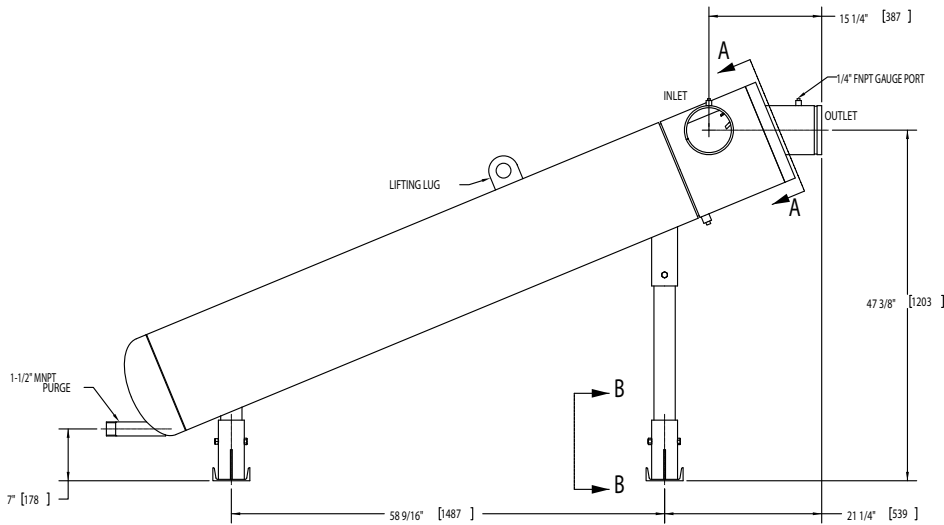
SECTION B-B

| REVISION HISTORY |     |             |      |          |
|------------------|-----|-------------|------|----------|
| ZONE             | REV | DESCRIPTION | DATE | APPROVED |
|                  |     |             |      |          |

THIS DRAWING HAS BEEN GENERATED AND IS MAINTAINED BY A CAD SYSTEM. CHANGES SHALL ONLY BE INCORPORATED AS DIRECTED BY AN APPROVED ENGINEERING CHANGE ORDER (ECO). PAPER COPIES ARE UNCONTROLLED.



SECTION A-A



**SUBMITTAL DRAWING**

This drawing is submitted for spatial consideration only. Do not pre-plumb to these dimensions.

|  |  |   |                                      |  |                                   |
|--|--|---|--------------------------------------|--|-----------------------------------|
| <small>UNLESS OTHERWISE SPECIFIED:<br/>DIMENSIONS ARE IN INCHES (MM)<br/>FRACTIONS DECIMALS ANGLES<br/>1/16" 0.03125" 30" 90° 90°<br/>DO NOT SCALE DRAWING</small> | <small>ENGINEERED FOR:</small><br><b>STANDARD</b>                              |   |                                      | <small>CLAUDE LALAK CORP.<br/>FREDRICK, CALIFORNIA 95727<br/>WWW.LAKOS.COM</small> |                                   |
|  | <small>APPROVALS:</small><br>DRAWN: DLW DATE: 1/27/06<br>ENGR: b DATE: 1/30/06 | <small>TITLE:</small><br><b>IHB-0500, SEPARATOR,<br/>500-1100 gpm, CARBON STEEL</b> |                                      |  |                                   |
| <small>MATERIAL:</small><br>CLASS P-1<br>MILD CARBON STEEL   | <small>FINISH:</small><br>LAKOS GREEN  | <small>SCALE:</small><br>1:10   | <small>REV. NO.:</small><br><b>C</b> | <small>DRG. NO.:</small><br><b>115202</b>  | <small>REV. DATE:</small><br>10F1 |

115202