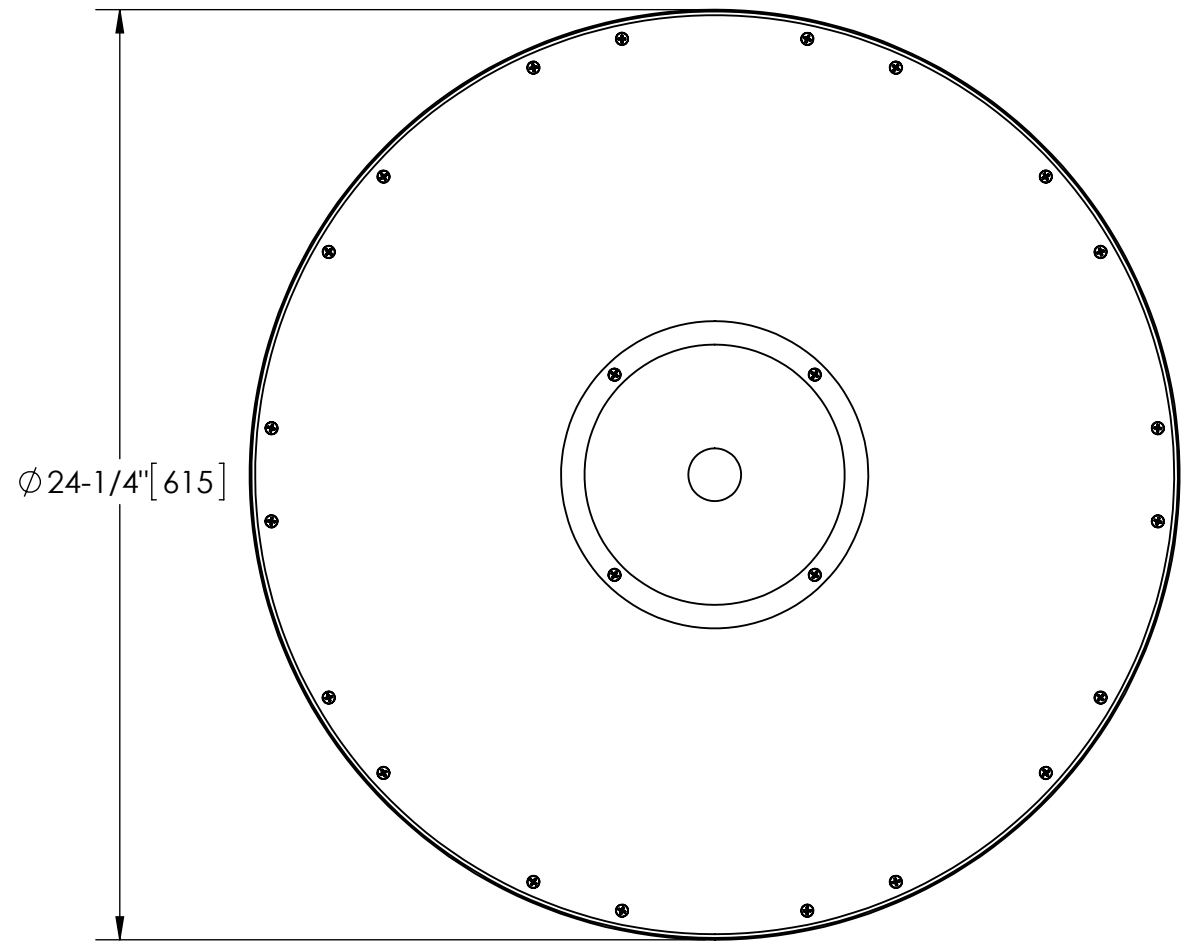


EXCEPT AS OTHERWISE PROVIDED BY CONTRACT, THIS DRAWING AND SPECIFICATIONS SHALL NOT BE REPRODUCED, COPIED OR USED AS THE BASIS FOR MANUFACTURE OR SALE OF MATTER DEPICTED HEREIN WITHOUT THE EXPRESSED WRITTEN PERMISSION OF THE CLAUDE LAVAL CORPORATION, OR ITS ASSIGNEES.

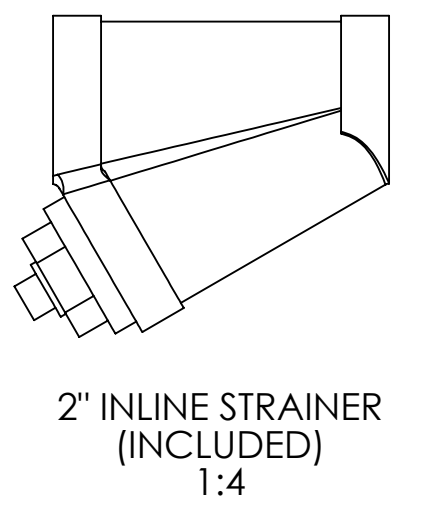
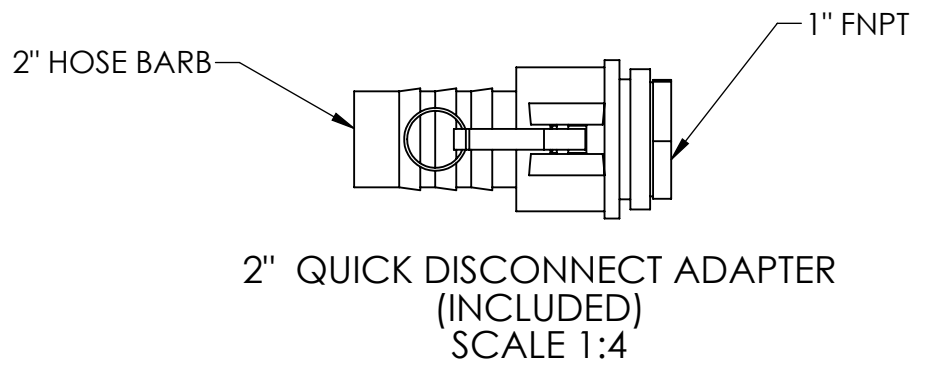
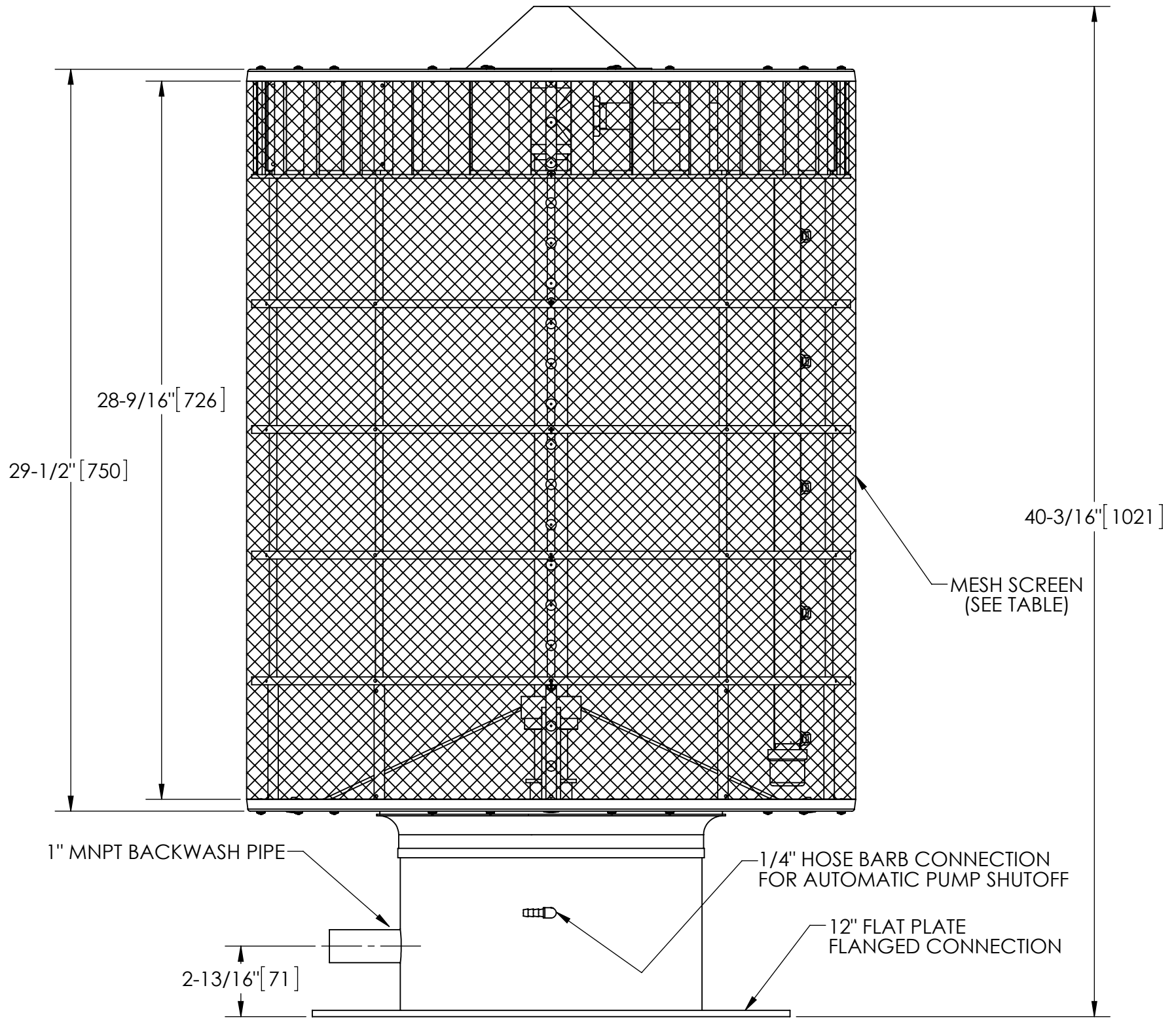
REVISIONS				
ZONE	REV.	DESCRIPTION	DATE	APPROVED



NOTES:

1. OUTLET FLANGE IS 12" FLAT PLATE B16.5 HOLE PATTERN REQUIRING 12X 7/8" BOLTS (BOLTS AND GASKETS NOT INCLUDED).
2. REQUIRED BACKWASH PRESSURE: 75-100 psi (5.1-6.9 Bar).
3. APPROXIMATE BACKWASH FLOW AT PROPER PRESSURE: 41 gpm. (9.5 m³/hr)
4. MAXIMUM FLOWRATE: SEE TABLE.
5. APPROXIMATE DRY WEIGHT: 93 lbs. (42 kg.)
6. FINISH: SEE TABLE

PART NO.	DESCRIPTION	SCREEN MESH	MAXIMUM FLOW RATE		SUCTION PIPE	
			GPM	M ³ /HR	MATERIAL	FINISH
106890	PC292410E	10	2050	465	CARBON STEEL	LAKOS GREEN
106893	PC292418E	18	2050	465	CARBON STEEL	LAKOS GREEN
106896	PC292430E	30	1450	330	CARBON STEEL	LAKOS GREEN
106892	PC292410S	10	2050	465	STAINLESS STEEL	GLASS BLAST
106895	PC292418S	18	2050	465	STAINLESS STEEL	GLASS BLAST
106898	PC292430S	30	1450	330	STAINLESS STEEL	GLASS BLAST



SUBMITTAL DRAWING

This drawing is submitted for spatial consideration only. Do not pre-plumb to these dimensions.

THIS DRAWING HAS BEEN GENERATED AND IS MAINTAINED BY A CAD SYSTEM. CHANGES SHALL ONLY BE INCORPORATED AS DIRECTED BY AN APPROVED ENGINEERING CHANGE ORDER (ECO). PAPER COPIES ARE UNCONTROLLED.

UNLESS OTHERWISE SPECIFIED: DIMENSIONS ARE IN: INCHES (mm) TOLERANCES ARE: FRACTIONS DECIMALS ANGLES ± 1/4" .XX ± .01 ± 1/4° .XXX ± .005 .XXXX ± .0005		ENGINEERED FOR: STANDARD		CLAUDE LAVAL CORP. FRESNO, CALIFORNIA 93727 WWW.LAKOS.COM		LAVAL UNDERGROUND SURVEYS	
DO NOT SCALE DRAWING	APPROVALS	DATE	TITLE				
MATERIAL PER LAKOS SPECS	ENGR	-	PC 2924 PC SCREEN				
FINISH SEE NOTES	MFG	-	29" TALL x 24" DIAMETER				
	WORK ORDER	QTY.	SIZE C	MODEL NO.	DWG NO. 106890	REV. A	
			SCALE 1:5	EST. WT. 93 lbs.	SHEET 1 OF 1		

DWG. NO. 106890 SHEET 1 REV. A