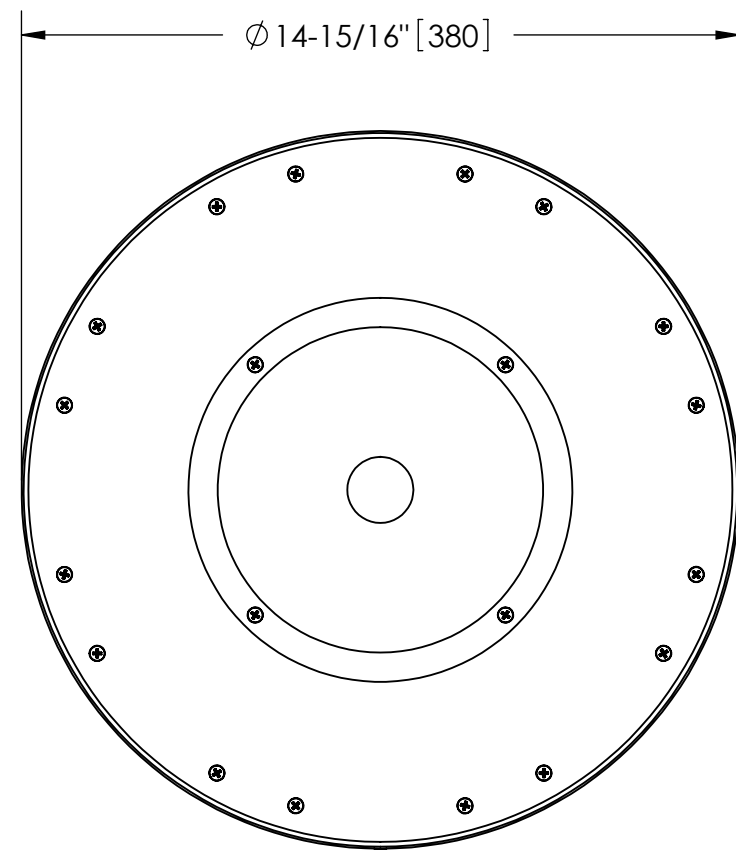


EXCEPT AS OTHERWISE PROVIDED BY CONTRACT, THIS DRAWING AND SPECIFICATIONS SHALL NOT BE REPRODUCED, COPIED OR USED AS THE BASIS FOR MANUFACTURE OR SALE OF MATTER DEPICTED HEREIN WITHOUT THE EXPRESSED WRITTEN PERMISSION OF THE CLAUDE LAVAL CORPORATION, OR ITS ASSIGNEES.

NOTES:

1. OUTLET FLANGE IS 6" FLAT PLATE B16.5 HOLE PATTERN REQUIRING 8X 3/4" BOLTS (BOLTS AND GASKETS NOT INCLUDED).
2. REQUIRED BACKWASH PRESSURE: 55-80 psi (3.8-5.5 Bar).
3. APPROXIMATE BACKWASH FLOW AT PROPER PRESSURE: 10 gpm. (2.3m³/hr)
4. MAXIMUM FLOWRATE: SEE TABLE.
5. APPROXIMATE DRY WEIGHT: 28 lb (12.7 kg).
6. FINISH: SEE TABLE

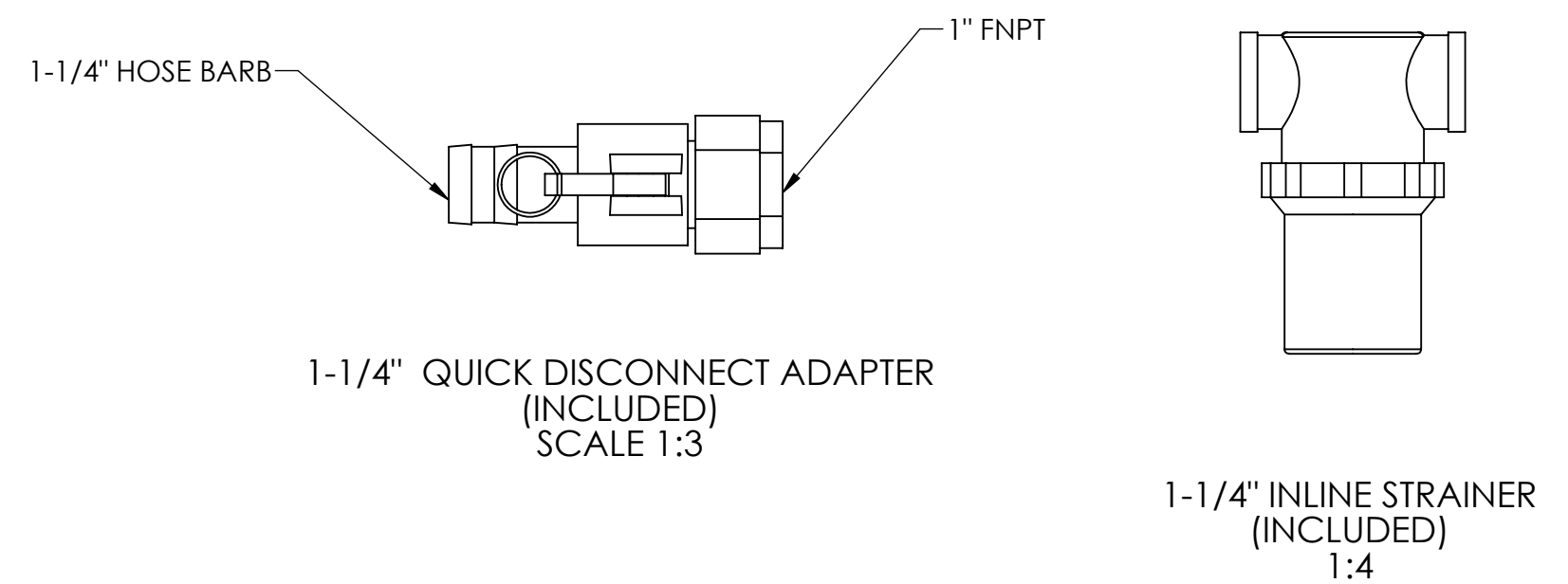
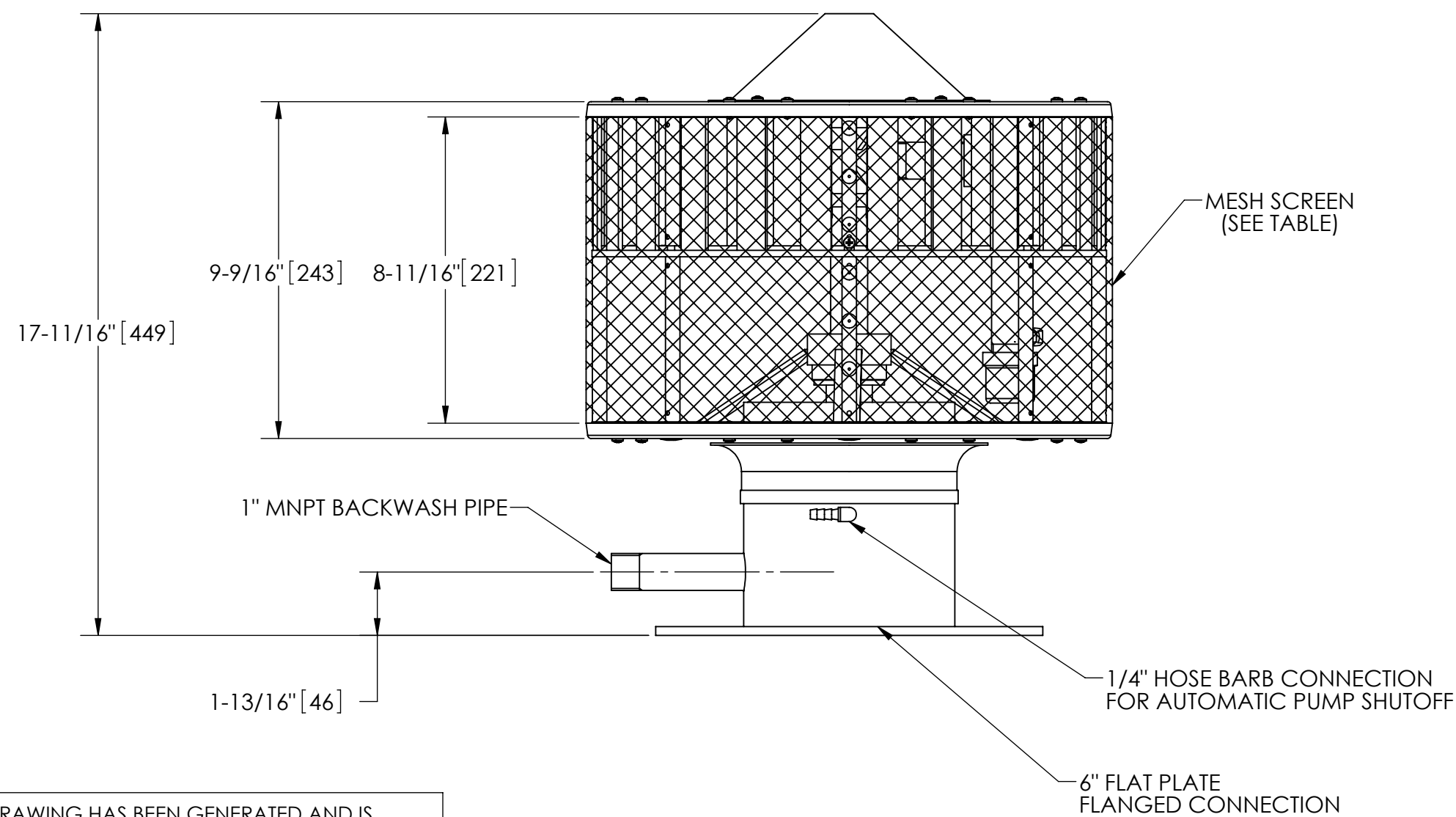
| REVISIONS | | | | |
|-----------|------|-------------|------|----------|
| ZONE | REV. | DESCRIPTION | DATE | APPROVED |
| | | | | |



| PART NO. | DESCRIPTION | SCREEN MESH | MAXIMUM FLOW RATE | | SUCTION PIPE | |
|----------|-------------|-------------|-------------------|--------------------|-----------------|-------------|
| | | | GPM | M ³ /HR | MATERIAL | FINISH |
| 106836 | PC91510E | 10 | 350 | 80 | CARBON STEEL | LAKOS GREEN |
| 106839 | PC91518E | 18 | 350 | 80 | CARBON STEEL | LAKOS GREEN |
| 106842 | PC91530E | 30 | 250 | 60 | CARBON STEEL | LAKOS GREEN |
| 106838 | PC91510S | 10 | 350 | 80 | STAINLESS STEEL | GLASS BLAST |
| 106841 | PC91518S | 18 | 350 | 80 | STAINLESS STEEL | GLASS BLAST |
| 106844 | PC91530S | 30 | 250 | 60 | STAINLESS STEEL | GLASS BLAST |

SUBMITTAL DRAWING

This drawing is submitted for spatial consideration only. Do not pre-plumb to these dimensions.



THIS DRAWING HAS BEEN GENERATED AND IS MAINTAINED BY A CAD SYSTEM. CHANGES SHALL ONLY BE INCORPORATED AS DIRECTED BY AN APPROVED ENGINEERING CHANGE ORDER (ECO). PAPER COPIES ARE UNCONTROLLED.

| | | | | | | | | | |
|--|--|--------------------------|------------|----------|--|---|----------------|---------------------------|-----------|
| UNLESS OTHERWISE SPECIFIED: DIMENSIONS ARE IN: INCHES (mm) TOLERANCES ARE: | | ENGINEERED FOR: STANDARD | | LAKOS | | CLAUDE LAVAL CORP. FRESNO, CALIFORNIA 93727 WWW.LAKOS.COM | | LAVAL UNDERGROUND SURVEYS | |
| FRACTIONS ± 1/4" | DECIMALS .XX ± .01 .XXX ± .005 .XXXX ± .0005 | ANGLES ± 1/4° | APPROVALS | DATE | TITLE PC 915 PC SCREENS 9" TALL x 15" DIAMETER | | | | |
| DO NOT SCALE DRAWING | | | DRAWN TAR | 10/24/13 | SIZE C | MODEL NO. | DWG NO. 106836 | REV. A | SCALE 1:5 |
| MATERIAL PER LAKOS SPECS | | | ENGR - | - | EST. WT. 28 lb | SHEET 1 OF 1 | | | |
| FINISH SEE NOTES | | | MFG - | - | | | | | |
| | | | WORK ORDER | QTY. | | | | | |

DWG. NO. 106836 SHEET REV. A