

EXCEPT AS OTHERWISE PROVIDED BY CONTRACT, THIS DRAWING AND SPECIFICATIONS SHALL NOT BE REPRODUCED, COPIED OR USED AS THE BASIS FOR MANUFACTURE OR SALE OF MATTER DEPICTED HEREIN WITHOUT THE EXPRESSED WRITTEN PERMISSION OF THE CLAUDE LAVAL CORPORATION, OR ITS ASSIGNEES.

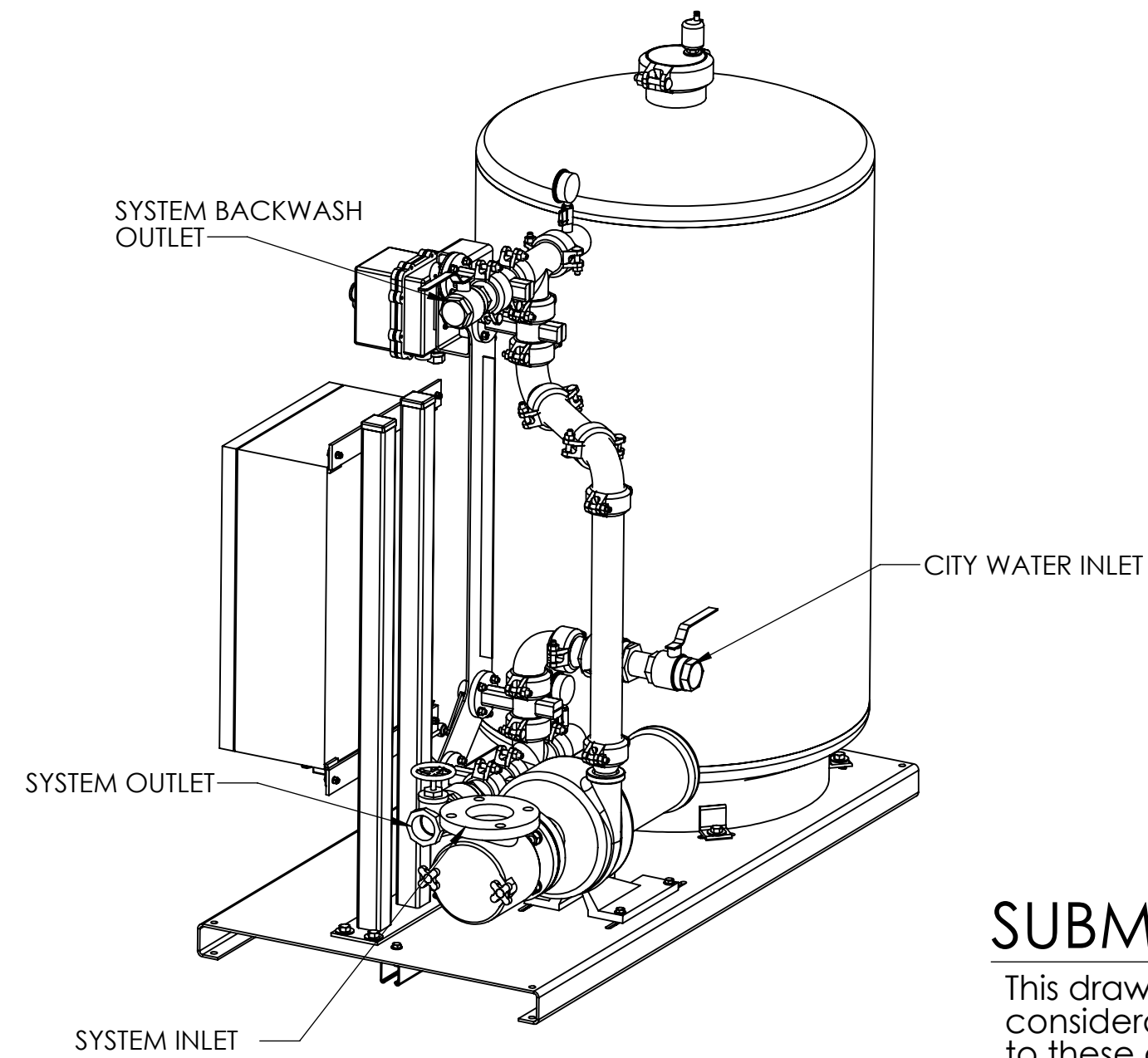
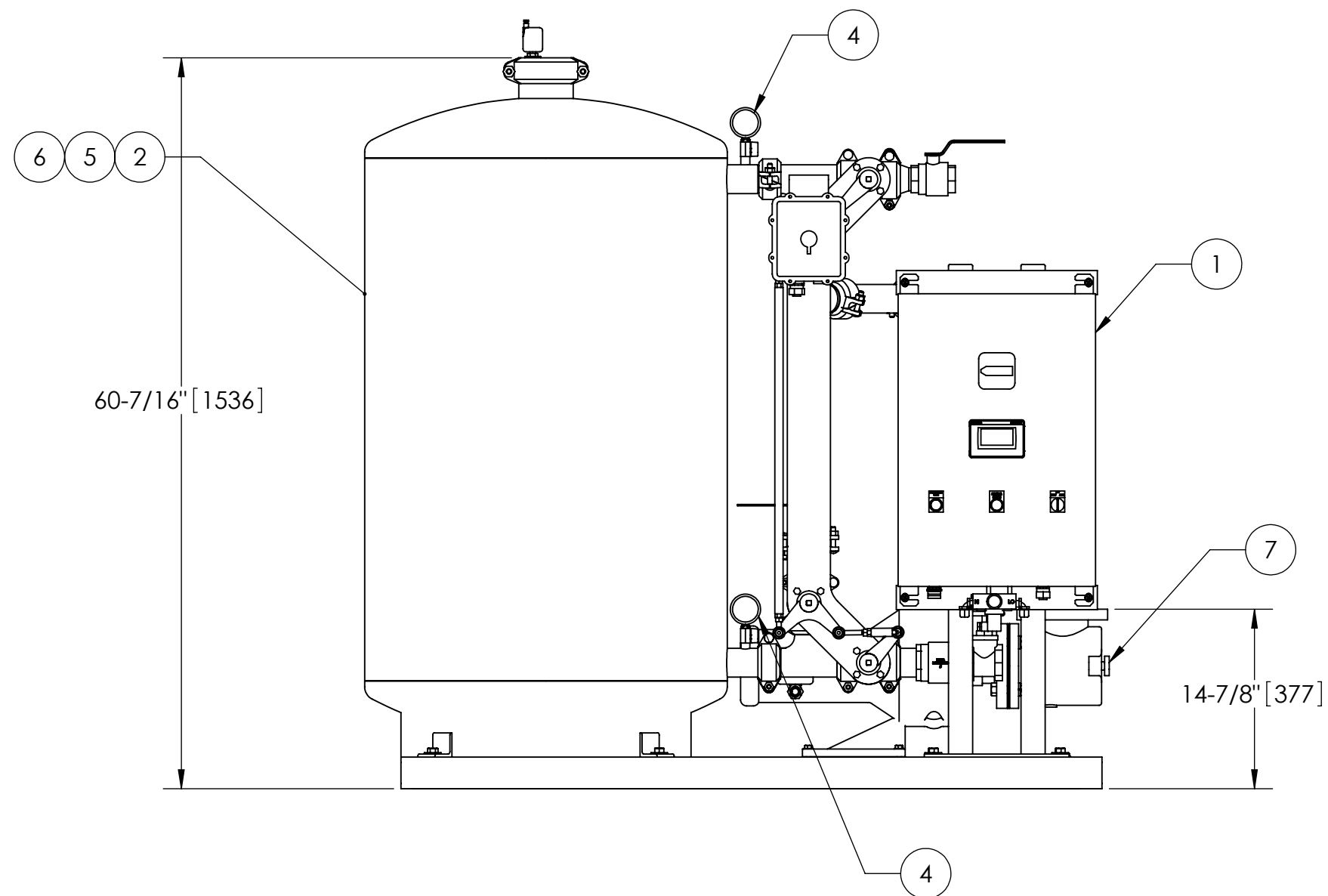
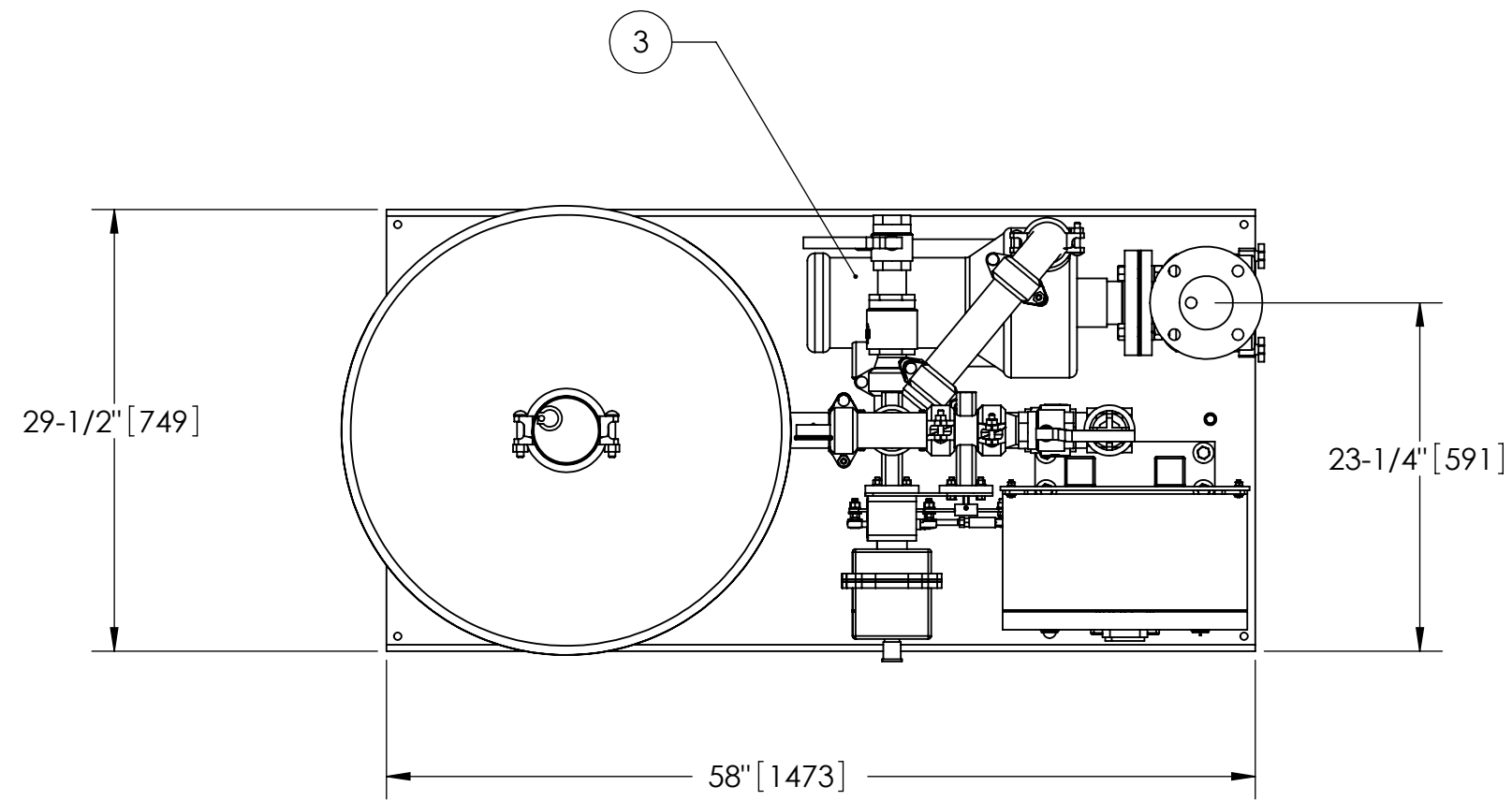
THIS DRAWING HAS BEEN GENERATED AND IS MAINTAINED BY A CAD SYSTEM. CHANGES SHALL ONLY BE INCORPORATED AS DIRECTED BY AN APPROVED ENGINEERING CHANGE ORDER (ECO). PAPER COPIES ARE UNCONTROLLED.

NOTES:

1. INLET IS 3" PIPE (FLANGE).
2. OUTLET IS 2" PIPE (NPT).
3. BACKWASH IS 1-1/2" PIPE (NPT).
4. MAXIMUM PRESSURE: 85 psi (5.9 bar).
5. MAXIMUM TEMPERATURE: 100°F (37.8°C).
6. SPECIFIED MAXIMUM FLOWRATE OF 100 gpm (23 m³/hr).
7. SPECIFIED MINIMUM BACKWASH FLOWRATE OF 50 gpm (11 m³/hr).
8. FINISH: AS ASSEMBLED.
9. POWER REQUIREMENT: 460V, 3PH, 60Hz.
10. NEMA 4X MOTOR STARTER ENCLOSURE WITH SAFETY DISCONNECT, H.O.A. SWITCH.
11. APPROXIMATE DRY WEIGHT (INCLUDING 1650 lbs SAND): 2631 lbs (1193 kg).
12. MINIMUM PIPE SIZE TO STS SYSTEM IS 3" PIPE.
13. FLOODED SUCTION REQUIRED.

COMPONENT LIST:

- ① ELECTRICAL CONTROL BOX 460V 60Hz W/120V TRANSFORMER.
- ② MEDIA TANK: 30" DIAMETER STAINLESS STEEL FILTER.
- ③ PUMP: 2 HP CENTRIFUGAL, 1800 rpm, TEFC, 460V, 60Hz, CAST IRON.
- ④ INLET/OUTLET PRESSURE GAUGES: 0-100 psi, GLYCERIN-FILLED.
- ⑤ MEDIA: NATURAL QUARTZ MULTIMEDIA CERTIFIED TO NSF STANDARDS.
- ⑥ UNDERDRAIN: 304 STAINLESS STEEL W/0.08" PERFORATIONS.
- ⑦ SUCTION DIFFUSER, CAST IRON.



SUBMITTAL DRAWING

This drawing is submitted for spatial consideration only. Do not pre-plumb to these dimensions.

UNLESS OTHERWISE SPECIFIED: DIMENSIONS ARE IN: INCHES (mm) TOLERANCES ARE: FRACTIONS DECIMALS ANGLES ± .XX ± .01 ± 1/4° .XXX ± .005 .XXXX ± .0005		ENGINEERED FOR:		LAKOS. CLAUDE LAVAL CORP. FRESNO, CALIFORNIA 93727 WWW.LAKOS.COM	
DO NOT SCALE DRAWING		APPROVALS	DATE	TITLE	
MATERIAL		DRAWN	CAG	11/09/12	
FINISH		ENGR		MTS-30-100-A-C, SUB MICRON FILTER CITY BW AUTO, 3/60/208-230/460V	
WORK ORDER		MFG		SIZE	MODEL NO.
		WORK ORDER		C	
			QTY.	DWG NO.	REV.
				135038	01
				SCALE	1:12
				EST. WT.	981 lb
				SHEET	1 OF 1

DWG. NO. 135038 SHEET REV. 01