

EXCEPT AS OTHERWISE PROVIDED BY CONTRACT, THIS DRAWING AND SPECIFICATIONS SHALL NOT BE REPRODUCED, COPIED OR USED AS THE BASIS FOR MANUFACTURE OR SALE OF MATTER DEPICTED HEREIN WITHOUT THE EXPRESSED WRITTEN PERMISSION OF THE CLAUDE LAVAL CORPORATION, OR ITS ASSIGNEES.

THIS DRAWING HAS BEEN GENERATED AND IS MAINTAINED BY A CAD SYSTEM. CHANGES SHALL ONLY BE INCORPORATED AS DIRECTED BY AN APPROVED ENGINEERING CHANGE ORDER (ECO). PAPER COPIES ARE UNCONTROLLED.

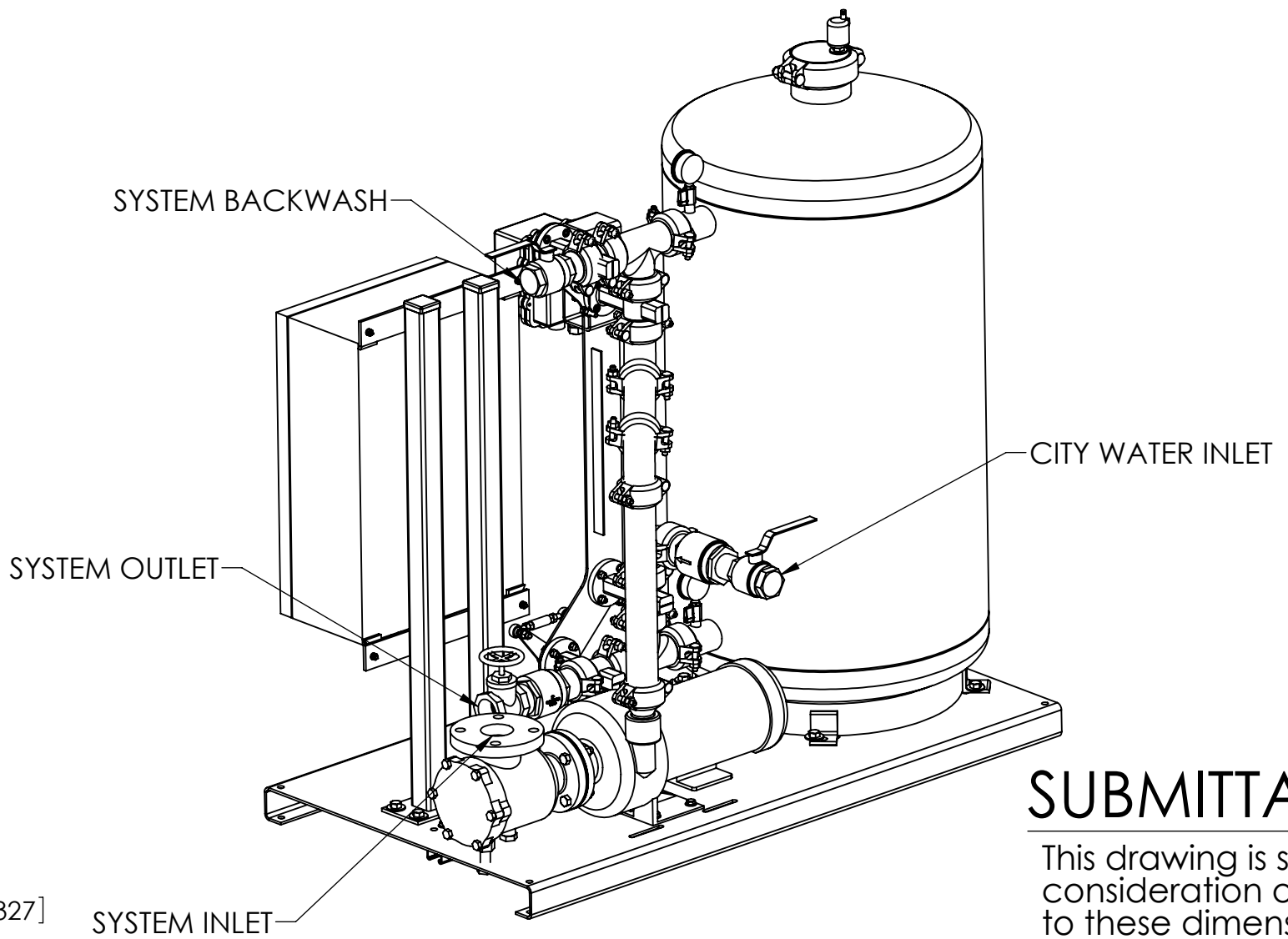
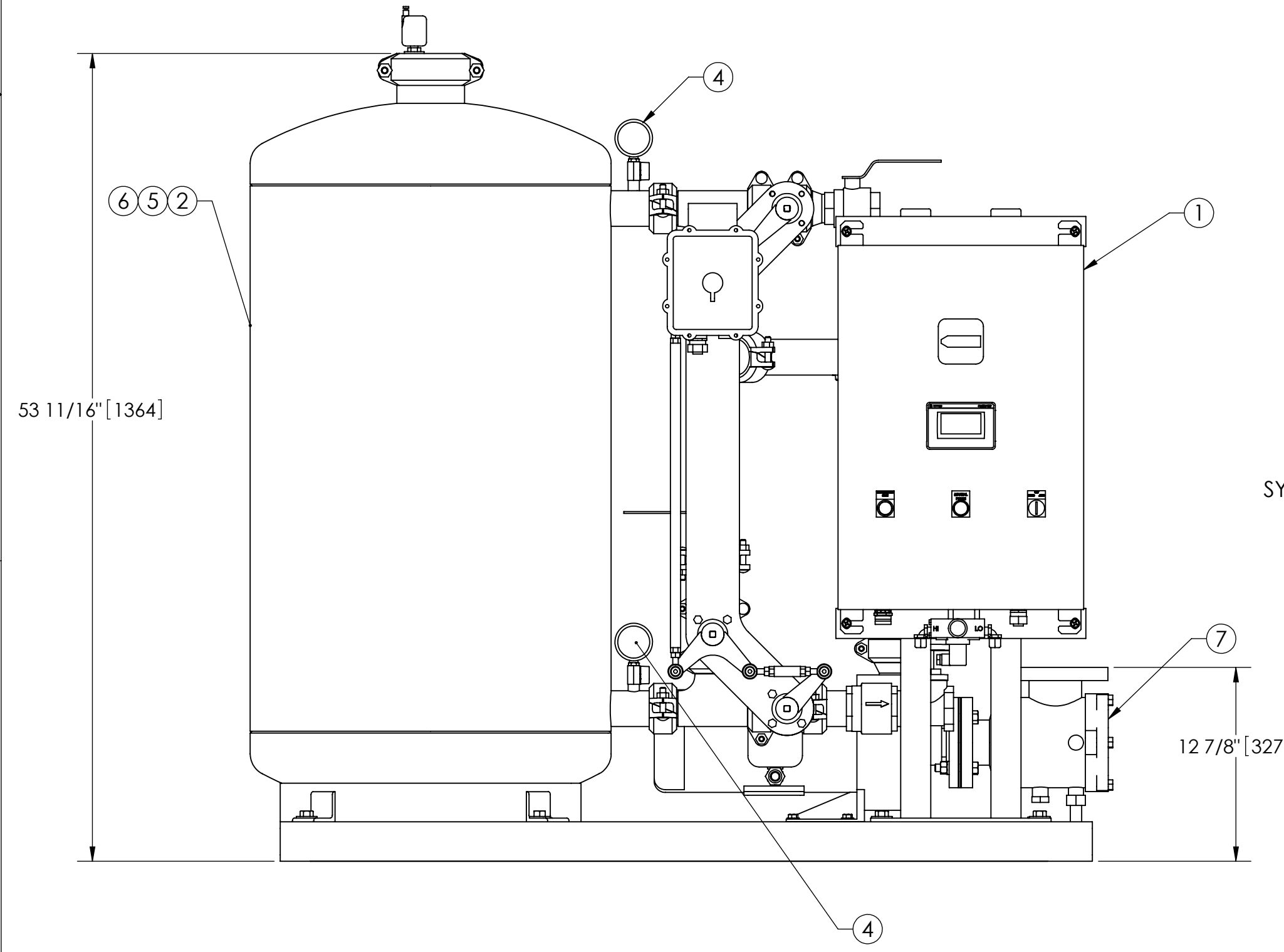
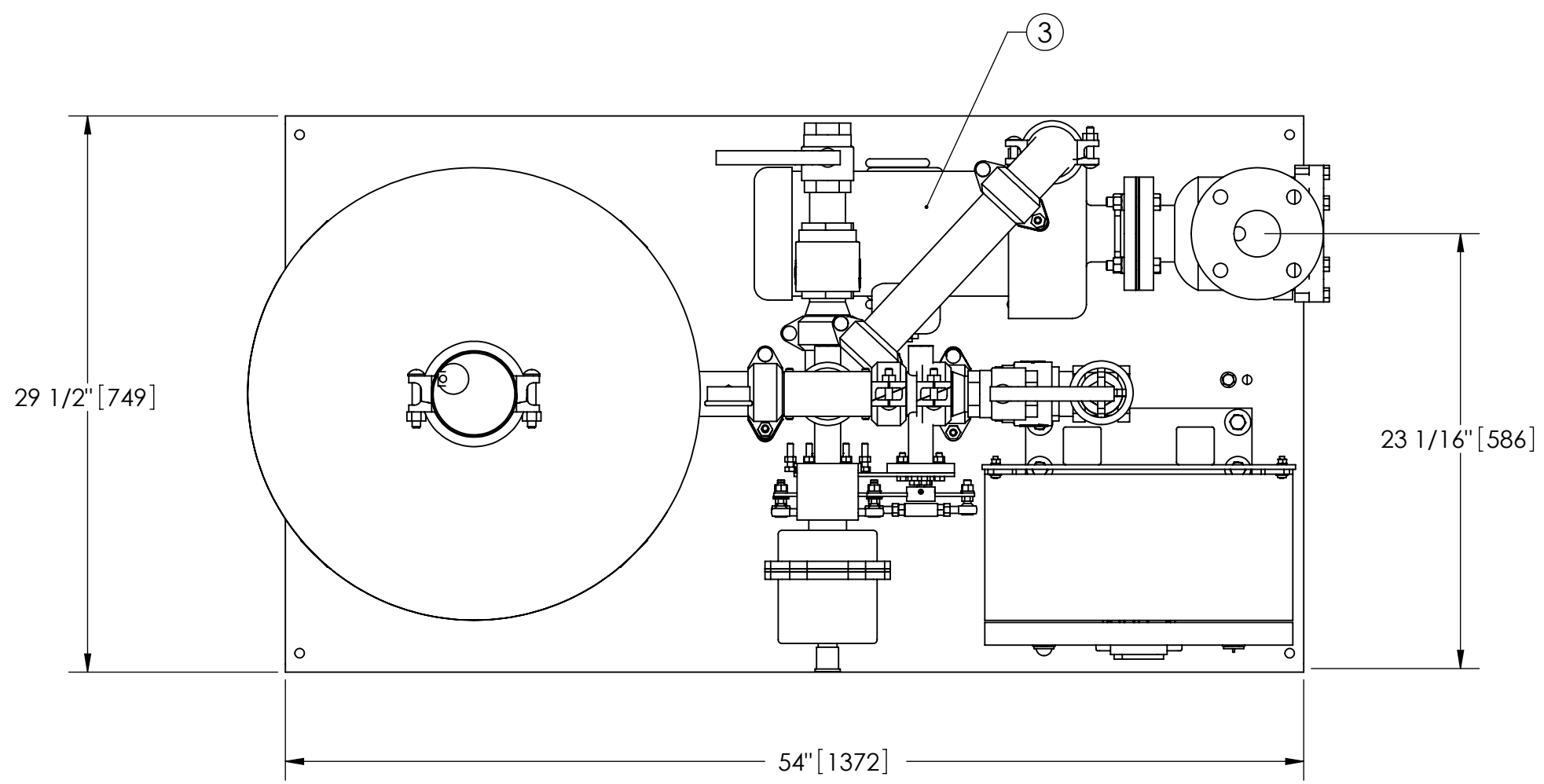
REVISIONS				
ECN	REV.	DESCRIPTION	DATE	APPROVED

**NOTES:**

1. INLET IS 2-1/2" PIPE (FLANGE).
2. OUTLET IS 2" PIPE (NPT).
3. BACKWASH IS 1-1/2" PIPE (NPT).
4. MAXIMUM PRESSURE: 85 psi (5.9 bar).
5. MAXIMUM TEMPERATURE: 100°F (37.8°C).
6. SPECIFIED MAXIMUM FLOWRATE OF 75 gpm (17 m³/hr).
7. SPECIFIED MINIMUM BACKWASH FLOWRATE OF 40 gpm (9 m³/hr).
8. FINISH: AS ASSEMBLED.
9. POWER REQUIREMENT: 460V, 3PH, 60Hz.
10. NEMA 4X MOTOR STARTER ENCLOSURE WITH SAFETY DISCONNECT, H.O.A. SWITCH.
11. APPROXIMATE DRY WEIGHT (INCLUDING 850 lbs SAND): 1615 lbs (733 kg).
12. MINIMUM PIPE SIZE TO STS SYSTEM IS 2-1/2" PIPE.
13. FLOODED SUCTION REQUIRED.

**COMPONENT LIST:**

- ① ELECTRICAL CONTROL BOX 460V 60Hz W/120V TRANSFORMER W/PLC.
- ② MEDIA TANK: 24" DIAMETER STAINLESS STEEL FILTER.
- ③ PUMP: 1.5 HP CENTRIFUGAL, 1800 rpm, TEFC, 460V, 60Hz, CAST IRON.
- ④ INLET/OUTLET PRESSURE GAUGES: 0-100 psi, GLYCERIN-FILLED.
- ⑤ MEDIA: NATURAL QUARTZ MULTIMEDIA CERTIFIED TO NSF STANDARDS.
- ⑥ UNDERDRAIN: 304 STAINLESS STEEL W/0.08" PERFORATIONS.
- ⑦ SUCTION DIFFUSER, CAST IRON.



**SUBMITTAL DRAWING**

This drawing is submitted for spatial consideration only. Do not pre-plumb to these dimensions.

UNLESS OTHERWISE SPECIFIED: DIMENSIONS ARE IN: INCHES (mm) TOLERANCES ARE: FRACTIONS    DECIMALS    ANGLES ± 1/2"    .XX ± .01    ± 1/4° .XXX ± .005    .XXXX ± .0005		ENGINEERED FOR: <b>STANDARD</b>		<b>LAKOS</b> CLAUDE LAVAL CORP. FRESNO, CALIFORNIA 93727 WWW.LAKOS.COM			
DO NOT SCALE DRAWING	APPROVALS	DATE	TITLE		REV.		
MATERIAL	DRAWN	11/09/12	MTS-24-75-A-C, SUB MICRON FILTER		01		
FINISH	ENGR	-	CITY BW AUTO, 3/60/208-230/460V		SCALE		
AS ASSEMBLED	MFG	-	SIZE	MODEL NO.	DWG NO.	135037	
	WORK ORDER	QTY.	C		EST. WT.	765 lb	
			SCALE	1:12	SHEET	1 OF 1	

DWG. NO. 135037  
 SHEET 01