

EXCEPT AS OTHERWISE PROVIDED BY CONTRACT, THIS DRAWING AND SPECIFICATIONS SHALL NOT BE REPRODUCED, COPIED OR USED AS THE BASIS FOR MANUFACTURE OR SALE OF MATTER DEPICTED HEREIN WITHOUT THE EXPRESSED WRITTEN PERMISSION OF THE CLAUDE LAVAL CORPORATION, OR ITS ASSIGNEES.

THIS DRAWING HAS BEEN GENERATED AND IS MAINTAINED BY A CAD SYSTEM. CHANGES SHALL ONLY BE INCORPORATED AS DIRECTED BY AN APPROVED ENGINEERING CHANGE ORDER (ECO). PAPER COPIES ARE UNCONTROLLED.

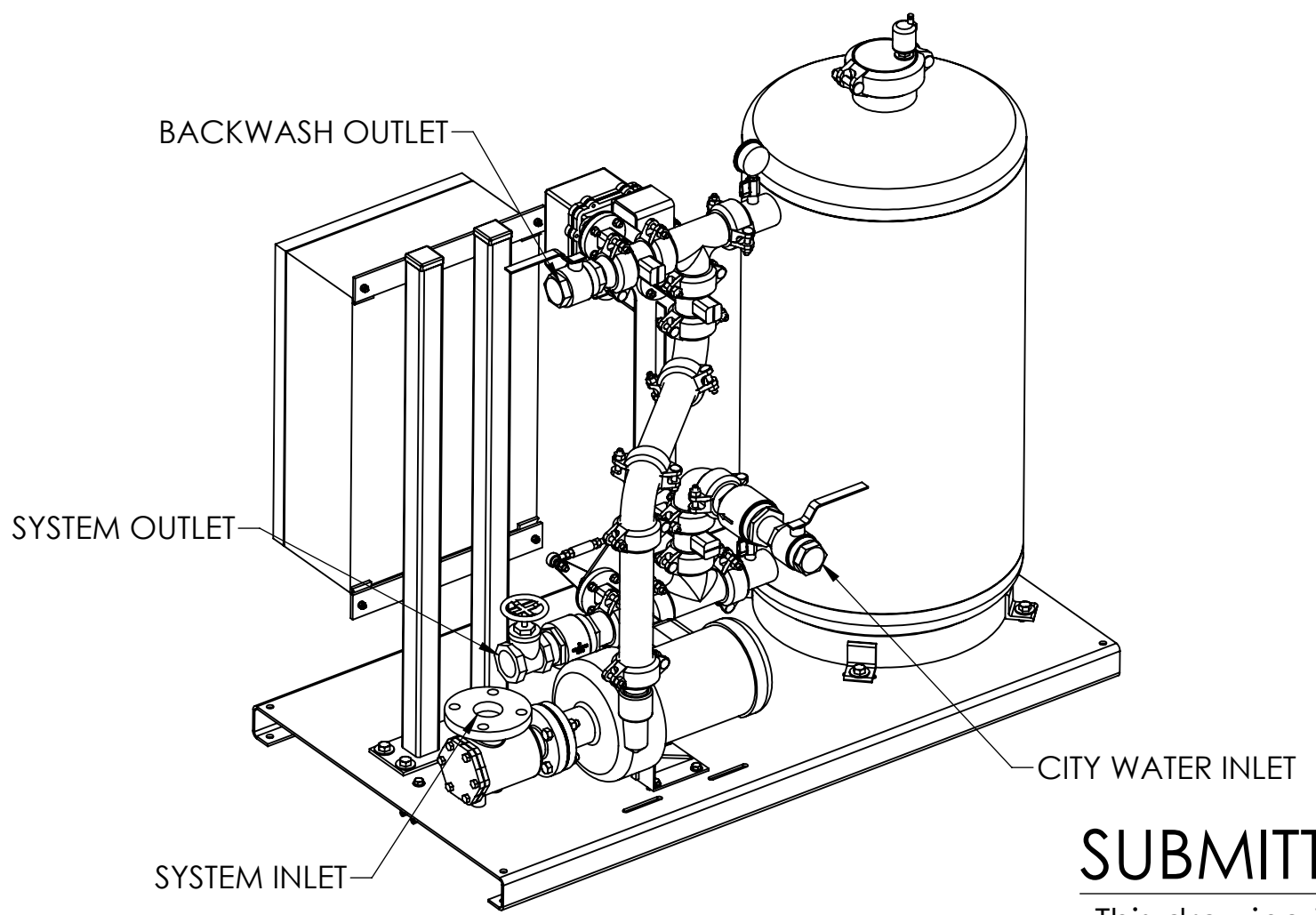
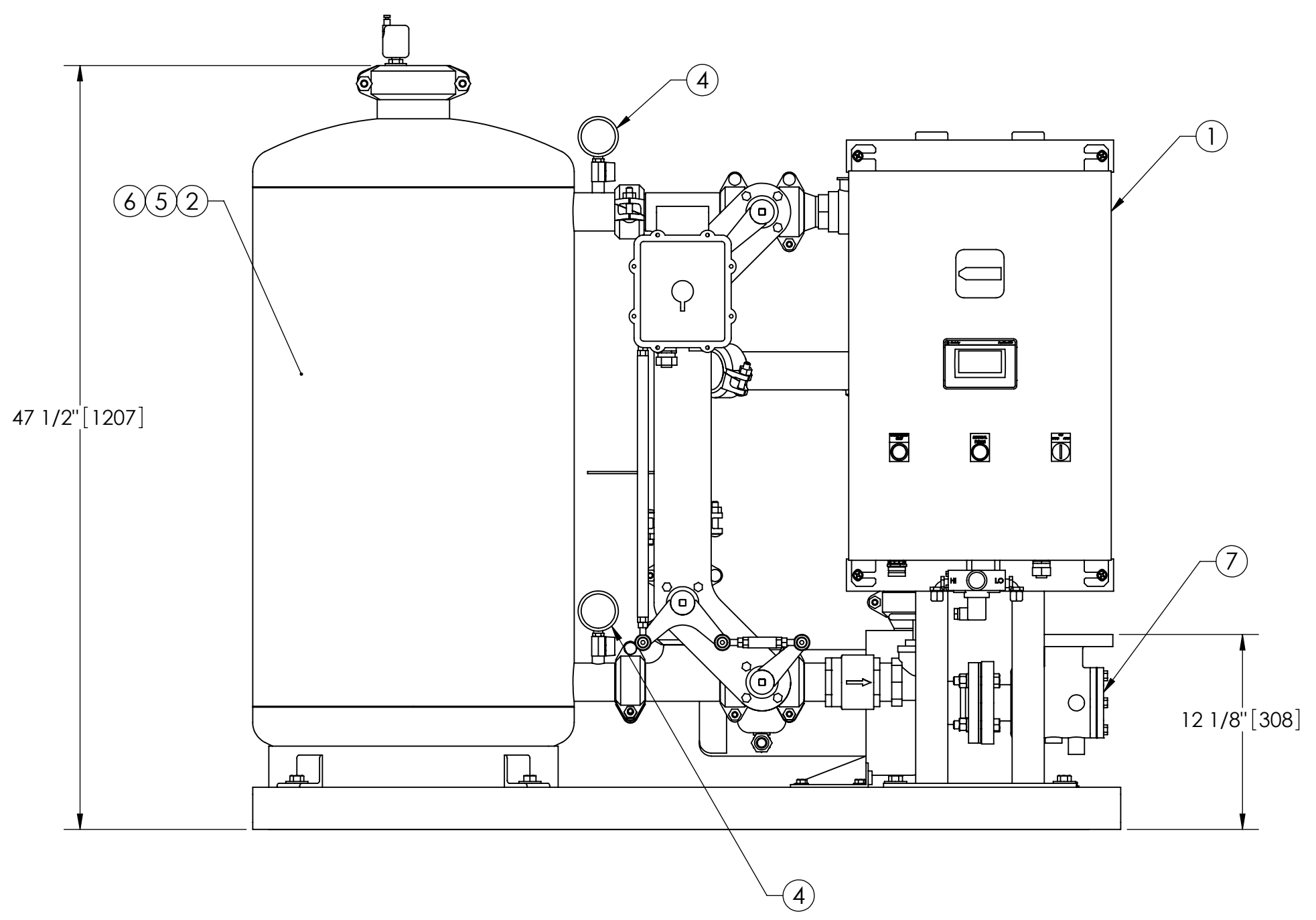
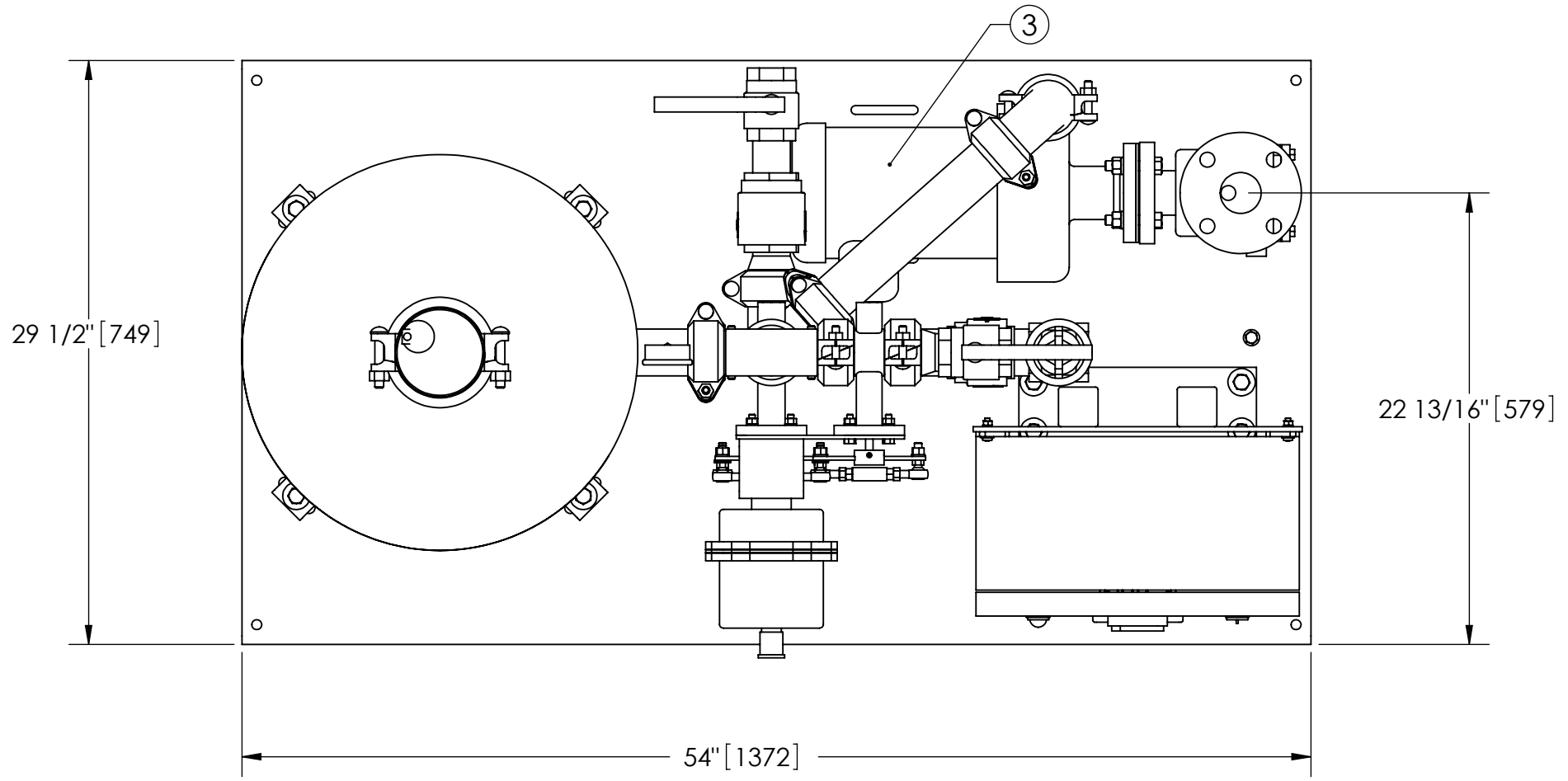
REVISIONS				
ECN	REV.	DESCRIPTION	DATE	APPROVED

NOTES:

1. INLET IS 2" PIPE (FLANGE).
2. OUTLET IS 2" PIPE (NPT).
3. BACKWASH IS 1-1/2" PIPE (NPT).
4. MAXIMUM PRESSURE: 85 psi (5.9 bar).
5. MAXIMUM TEMPERATURE: 100°F (37.8°C).
6. SPECIFIED MAXIMUM FLOWRATE OF 50 gpm (11 m³/hr).
7. SPECIFIED MINIMUM BACKWASH FLOWRATE OF 35 gpm (8 m³/hr).
8. FINISH: AS ASSEMBLED.
9. POWER REQUIREMENT: 460V, 3PH, 60Hz.
10. NEMA 4X MOTOR STARTER ENCLOSURE WITH SAFETY DISCONNECT, H.O.A. SWITCH.
11. APPROXIMATE DRY WEIGHT (INCLUDING 450 lbs SAND): 1100 lbs (499 kg).
12. MINIMUM PIPE SIZE TO STS SYSTEM IS 2" PIPE.
13. FLOODED SUCTION REQUIRED.

COMPONENT LIST:

- ① ELECTRICAL CONTROL BOX 460V 60Hz W/120V TRANSFORMER W/PLC.
- ② MEDIA TANK: 20" DIAMETER STAINLESS STEEL FILTER.
- ③ PUMP: 1.5 HP CENTRIFUGAL, 1800 rpm, TEFC, 460V, 60Hz, CAST IRON.
- ④ INLET/OUTLET PRESSURE GAUGES: 0-100 psi, GLYCERIN-FILLED.
- ⑤ MEDIA: NATURAL QUARTZ MULTIMEDIA CERTIFIED TO NSF STANDARDS.
- ⑥ UNDERDRAIN: 304 STAINLESS STEEL W/0.08" PERFORATIONS.
- ⑦ SUCTION DIFFUSER, CAST IRON.



SUBMITTAL DRAWING
 This drawing is submitted for spatial consideration only. Do not pre-plumb to these dimensions.

UNLESS OTHERWISE SPECIFIED: DIMENSIONS ARE IN: INCHES (mm) TOLERANCES ARE: FRACTIONS DECIMALS ANGLES ± 1/2" .XX ± .01 ± 1/4° .XXX ± .005 .XXXX ± .0005		ENGINEERED FOR: STANDARD		CLAUDE LAVAL CORP. FRESNO, CALIFORNIA 93727 WWW.LAKOS.COM		LAVAL UNDERGROUND SURVEYS	
DO NOT SCALE DRAWING	APPROVALS	DATE	TITLE		SIZE		REV.
MATERIAL	DRAWN	11/01/12	MTS-20-50-A-C, SUB MICRON FILTER		C		01
SEE PARTS LIST	ENGR	-	CITY BW AUTO, 3/60/208-230/460V		MODEL NO.		DWG NO.
FINISH	MFG	-	SCALE		1:12		135036
AS ASSEMBLED	WORK ORDER	QTY.	EST. WT.		650 lb		SHEET
			1 OF 1				

DWG. NO. 135036
 SHEET 01
 REV. 01