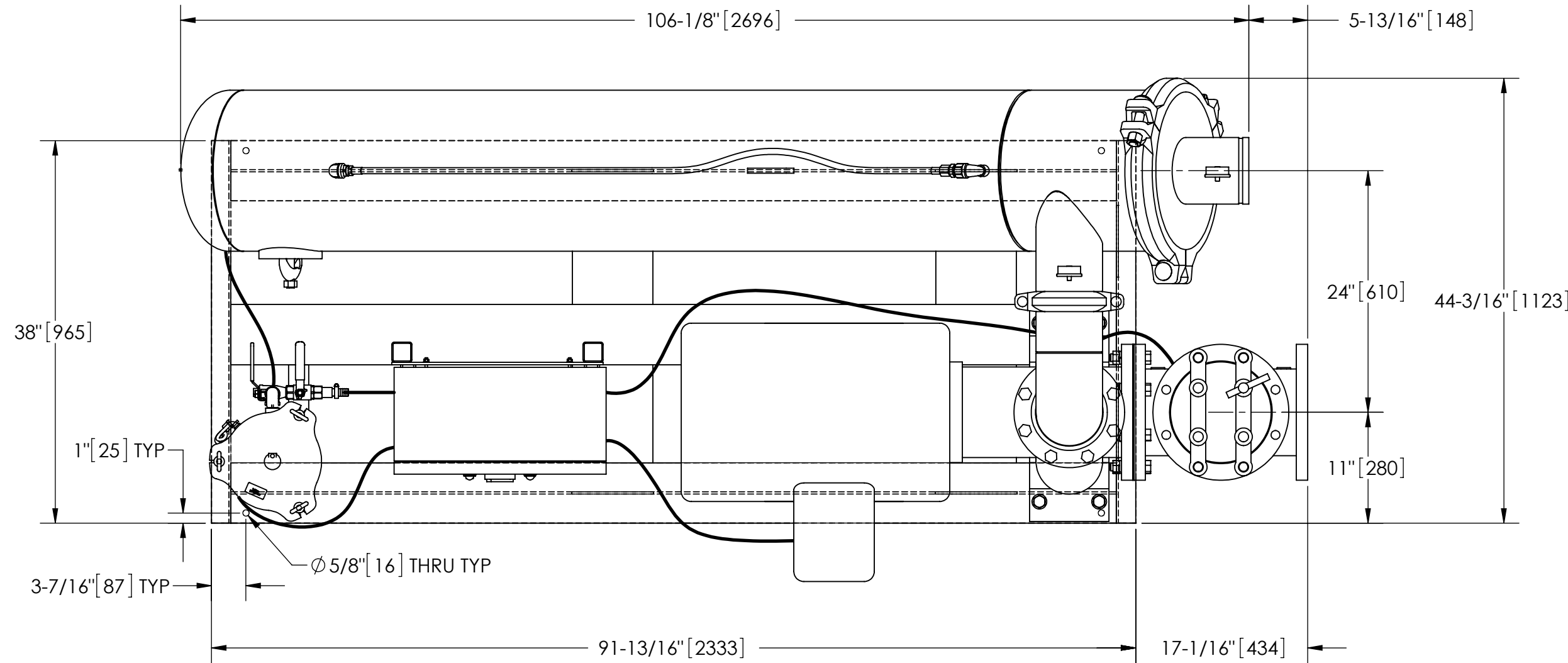


EXCEPT AS OTHERWISE PROVIDED BY CONTRACT, THIS DRAWING AND SPECIFICATIONS SHALL NOT BE REPRODUCED, COPIED OR USED AS THE BASIS FOR MANUFACTURE OR SALE OF MATTER DEPICTED HEREIN WITHOUT THE EXPRESSED WRITTEN PERMISSION OF THE CLAUDE LAVAL CORPORATION, OR ITS ASSIGNEES.

THIS DRAWING HAS BEEN GENERATED AND IS MAINTAINED BY A CAD SYSTEM. CHANGES SHALL ONLY BE INCORPORATED AS DIRECTED BY AN APPROVED ENGINEERING CHANGE ORDER (ECO). PAPER COPIES ARE UNCONTROLLED.

REVISIONS				
ECN	REV.	DESCRIPTION	DATE	APPROVED



NOTES:

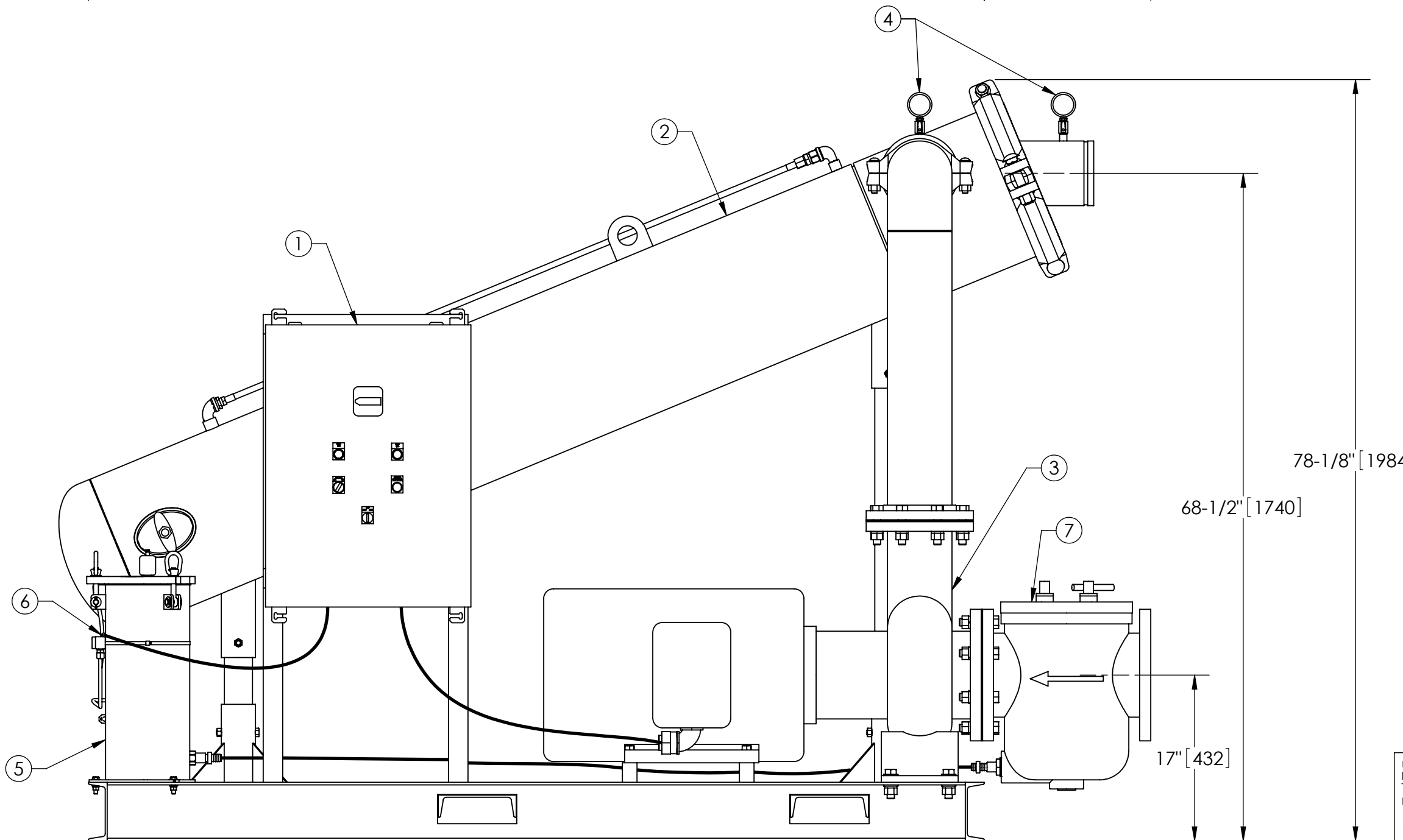
1. INLET IS 8" PIPE (125# ANSI FLANGED).
2. OUTLET IS 6" PIPE (GROOVED).
3. PURGE OUTLET IS 1-1/2" PIPE.
4. MAXIMUM PRESSURE: 150 psi (10.3 bar).
5. MAXIMUM TEMPERATURE: 122°F (50°C).
6. SPECIFIED FLOWRATE OF 1200 gpm (275 m³/hr).
7. FINISH: AS ASSEMBLED.
8. POWER REQUIREMENT: 415V, 3PH, 50Hz.
9. NEMA 4X MOTOR STARTER ENCLOSURE WITH SAFETY DISCONNECT AND H.O.A. SWITCH.
10. APPROXIMATE DRY WEIGHT: 2903 lbs (1317 kg).
11. INLET/OUTLET VALVE KIT, MODEL TCV-1100 RECOMMENDED.
12. MINIMUM PIPE FROM TOWER BASIN TO JC SYSTEM IS 10" PIPE.
13. FLOODED SUCTION REQUIRED.
14. LIFTING LUGS NOT SUPPLIED.

COMPONENT LIST:

- ① ELECTRICAL CONTROL BOX 415V 50Hz W/120V TRANSFORMER WITH RUN LIGHTS & BAG FULL LIGHT.
- ② SEPARATOR: JPX-0650-L.
- ③ PUMP: 50 HP CENTRIFUGAL, 1500 rpm, 415V, 50Hz, PREMIUM EFFICIENCY, 50°C.
- ④ INLET/OUTLET PRESSURE GAUGES: 0-100 psi, GLYCERIN-FILLED.
- ⑤ PURGE EQUIPMENT: SRV-816.
- ⑥ DIFFERENTIAL PRESSURE INDICATOR WITH DRY CONTACT-MODEL DHE-15-S.
- ⑦ BASKET STRAINER.

SUBMITTAL DRAWING

This drawing is submitted for spatial consideration only. Do not pre-plumb to these dimensions.



UNLESS OTHERWISE SPECIFIED: DIMENSIONS ARE IN: INCHES (mm) TOLERANCES ARE: FRACTIONS DECIMALS ANGLES ± 1" .XX ± .01 ± 1/4" XXX ± .005 XXXX ± .0005		ENGINEERED FOR: 415V / 50°C		LAKOS. CLAUDE LAVAL CORP. FRESNO, CALIFORNIA 93727 WWW.LAKOS.COM	
DO NOT SCALE DRAWING		APPROVALS	DATE	TITLE	
MATERIAL PER LAKOS SPEC		DRAWN CAG	3/30/11	JCX-1200-SRV/L/415V/50CC, JC SYSTEM	
FINISH AS ASSEMBLED		ENGR JBI	3/28/11	SWEEPER JPX-0650-L, 415V 50HZ DELUXE 50C	
SCALE 1:12		WORK ORDER	QTY.	SIZE C	MODEL NO.
EST. WT. 2903 lb		SHEET 1 OF 1		DWG NO. 132843	REV. 01

DWG. NO. 132843
SHEET 01
REV. 01