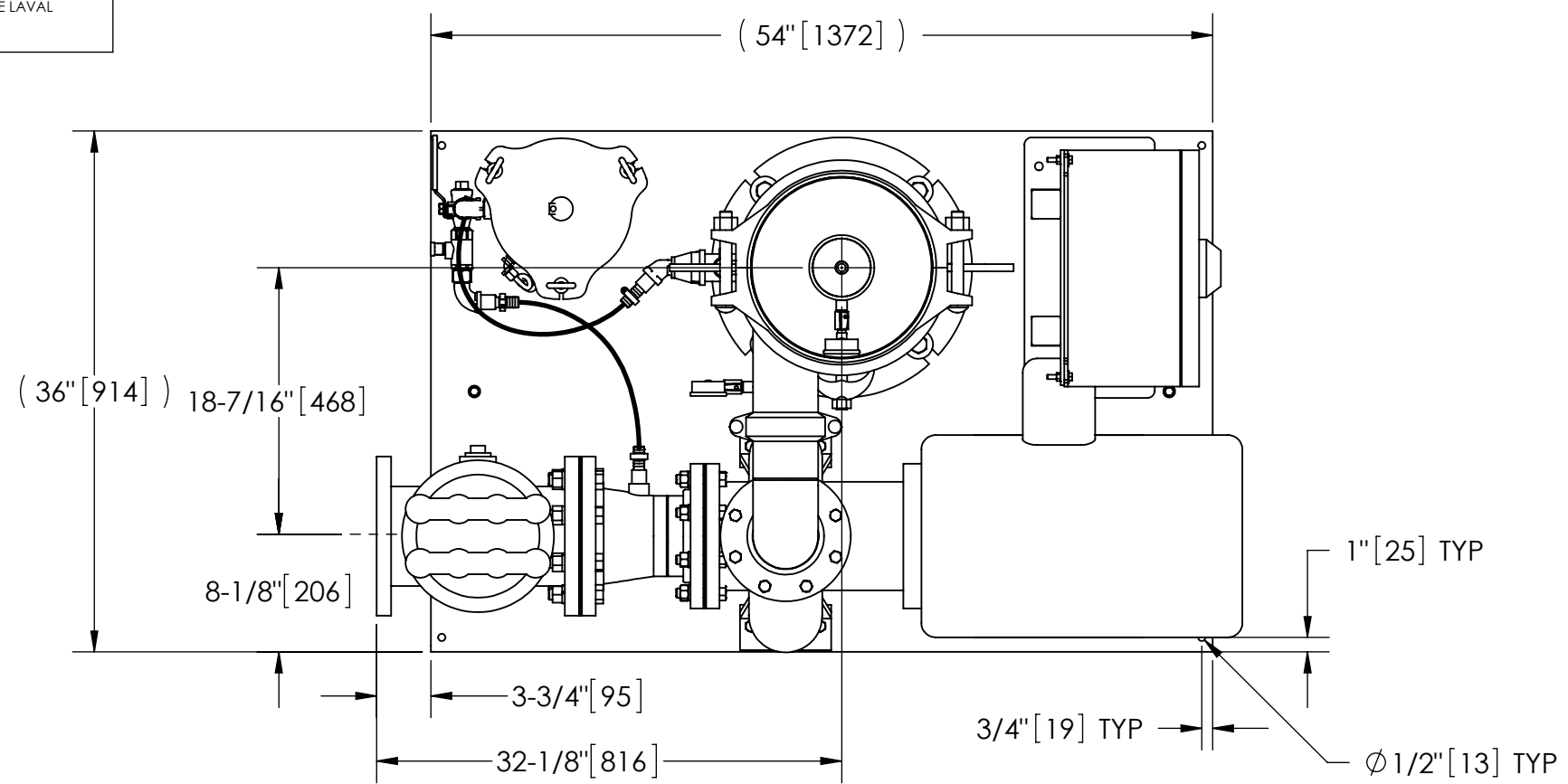


EXCEPT AS OTHERWISE PROVIDED BY CONTRACT, THIS DRAWING AND SPECIFICATIONS SHALL NOT BE REPRODUCED, COPIED OR USED AS THE BASIS FOR MANUFACTURE OR SALE OF MATTER DEPICTED HEREIN WITHOUT THE EXPRESSED WRITTEN PERMISSION OF THE CLAUDE LAVAL CORPORATION, OR ITS ASSIGNEES.

THIS DRAWING HAS BEEN GENERATED AND IS MAINTAINED BY A CAD SYSTEM. CHANGES SHALL ONLY BE INCORPORATED AS DIRECTED BY AN APPROVED ENGINEERING CHANGE ORDER (ECO). PAPER COPIES ARE UNCONTROLLED.

REVISIONS				
ECN	REV.	DESCRIPTION	DATE	APPROVED



TOP VIEW

NOTES:

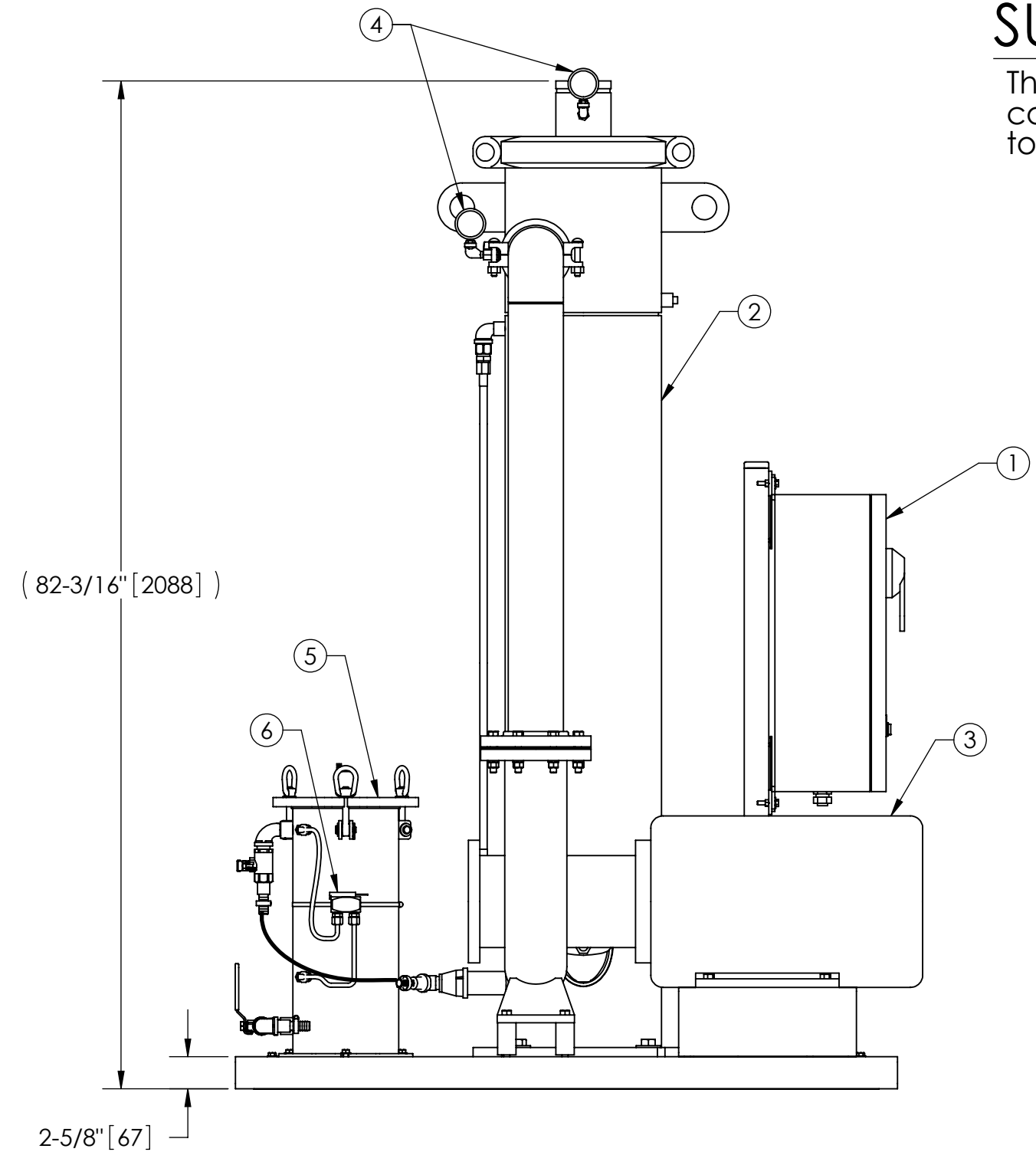
1. INLET IS 6" PIPE (125# ANSI FLANGED).
2. OUTLET IS 4" PIPE (GROOVED).
3. PURGE OUTLET IS 1-1/2" PIPE.
4. MAXIMUM PRESSURE: 150 psi (10.3 bar).
5. MAXIMUM TEMPERATURE: 122°F (50°C).
6. SPECIFIED FLOWRATE OF 525 gpm (120 m³/hr).
7. FINISH: AS ASSEMBLED.
8. POWER REQUIREMENT: 415V, 3PH, 50Hz.
9. NEMA 4X MOTOR STARTER ENCLOSURE WITH SAFETY DISCONNECT AND H.O.A. SWITCH.
10. APPROXIMATE DRY WEIGHT: 1994 lbs (904 kg).
11. INLET/OUTLET VALVE KIT, MODEL JCV-0525 RECOMMENDED.
12. MINIMUM PIPE FROM TOWER BASIN TO JC SYSTEM IS 8" PIPE.
13. FLOODED SUCTION REQUIRED.
14. LIFTING LUGS NOT SUPPLIED.

COMPONENT LIST:

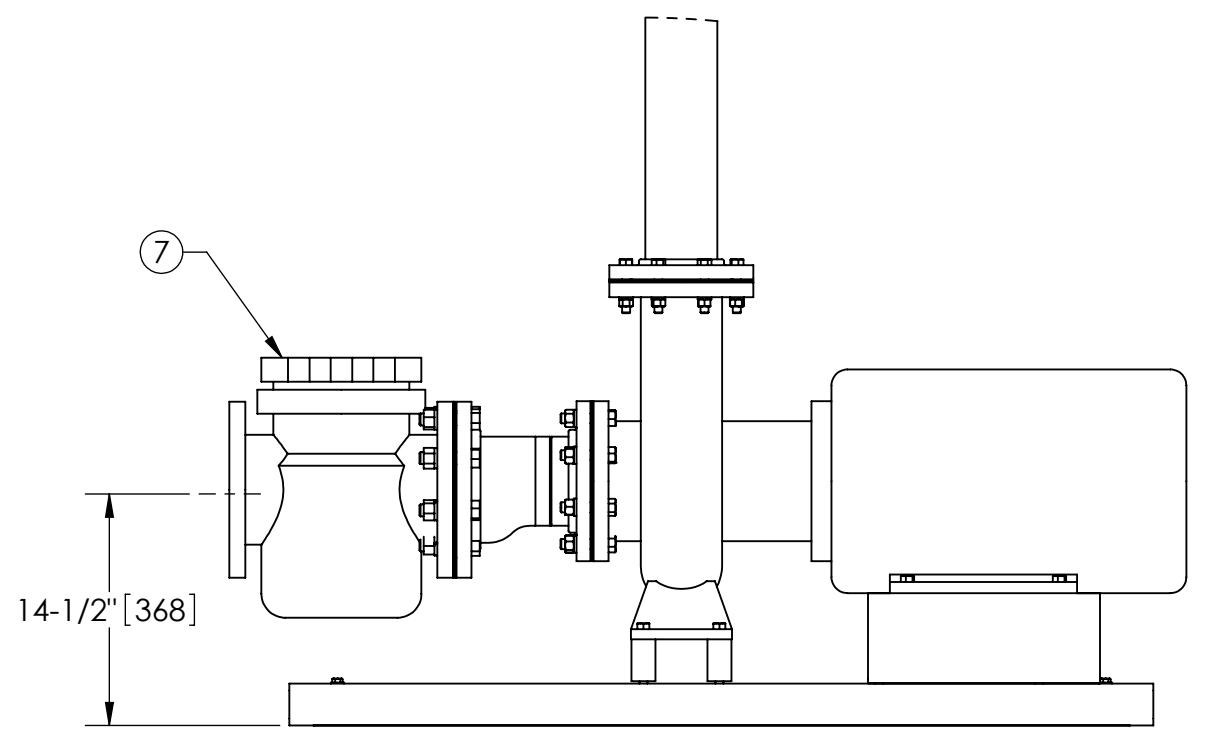
- ① ELECTRICAL CONTROL BOX 415V 50Hz W/120V TRANSFORMER WITH RUN LIGHTS & BAG FULL LIGHT.
- ② SEPARATOR: JPX-0285-V.
- ③ PUMP: 20 HP CENTRIFUGAL, 1500 rpm, 415V, 50Hz, PREMIUM EFFICIENCY, 50°C.
- ④ INLET/OUTLET PRESSURE GAUGES: 0-100 psi, GLYCERIN-FILLED.
- ⑤ PURGE EQUIPMENT: SRV-816.
- ⑥ DIFFERENTIAL PRESSURE INDICATOR WITH DRY CONTACT-MODEL DHE-15-S.
- ⑦ BASKET STRAINER.

SUBMITTAL DRAWING

This drawing is submitted for spatial consideration only. Do not pre-plumb to these dimensions.



FRONT VIEW W/O STRAINER



FRONT VIEW PUMP & STRAINER

UNLESS OTHERWISE SPECIFIED: DIMENSIONS ARE IN: INCHES (mm) TOLERANCES ARE: FRACTIONS DECIMALS ANGLES ± 1" .XX ± .01 ± 1/4° .XXX ± .005 .XXXX ± .0005	ENGINEERED FOR: 415V / 50°C		LAKOS. CLAUDE LAVAL CORP. FRESNO, CALIFORNIA 93727 WWW.LAKOS.COM		LAVL UNDERGROUND SURVEYS
	DO NOT SCALE DRAWING	APPROVALS	DATE	TITLE	
MATERIAL PER LAKOS SPEC	DRAWN CAG	3/30/11	JCX-0525-SRV/415V/50C, JC SYSTEM SWEEPER JPX-0285, 415V 50HZ DELUXE 50C		
FINISH AS ASSEMBLED	ENGR JBI	3/28/11	SIZE C	MODEL NO.	DWG NO. 132841
	MFG -	-	SCALE 1:12	EST. WT. 1994 lb	REV. 01
	WORK ORDER	QTY.	SHEET 1 OF 1		

DWG. NO. 132841 SHEET 1 REV. 01