

EXCEPT AS OTHERWISE PROVIDED BY CONTRACT, THIS DRAWING AND SPECIFICATIONS SHALL NOT BE REPRODUCED, COPIED OR USED AS THE BASIS FOR MANUFACTURE OR SALE OF MATTER DEPICTED HEREIN WITHOUT THE EXPRESSED WRITTEN PERMISSION OF THE CLAUDE LAVAL CORPORATION, OR ITS ASSIGNEES.

THIS DRAWING HAS BEEN GENERATED AND IS MAINTAINED BY A CAD SYSTEM. CHANGES SHALL ONLY BE INCORPORATED AS DIRECTED BY AN APPROVED ENGINEERING CHANGE ORDER (ECO). PAPER COPIES ARE UNCONTROLLED.

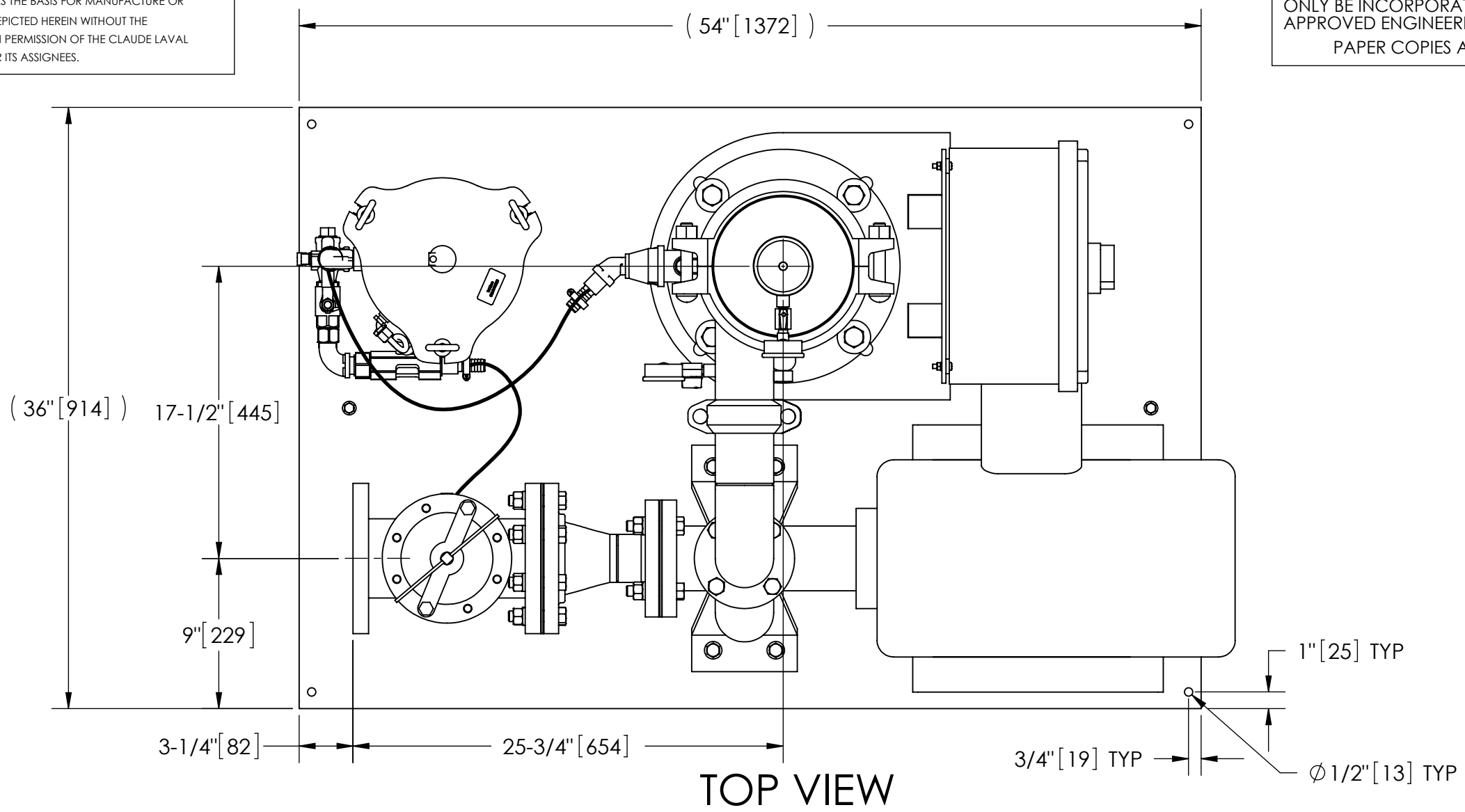
| REVISIONS | | | | |
|-----------|------|-------------|------|----------|
| ECN | REV. | DESCRIPTION | DATE | APPROVED |
| | | | | |

NOTES:

1. INLET IS 4" PIPE (125# ANSI FLANGED).
2. OUTLET IS 3" PIPE (GROOVED).
3. PURGE OUTLET IS 1-1/2" PIPE.
4. MAXIMUM PRESSURE: 150 psi (10.3 bar).
5. MAXIMUM TEMPERATURE: 122°F (50°C).
6. SPECIFIED FLOWRATE OF 225 gpm (51 m³/hr).
7. FINISH: AS ASSEMBLED.
8. POWER REQUIREMENT: 460V, 3PH, 60Hz.
9. NEMA 4X MOTOR STARTER ENCLOSURE WITH SAFETY DISCONNECT AND H.O.A. SWITCH.
10. APPROXIMATE DRY WEIGHT: 1572 lbs (713 kg).
11. INLET/OUTLET VALVE KIT, MODEL TCV-0225 RECOMMENDED.
12. MINIMUM PIPE FROM TOWER BASIN TO JC SYSTEM IS 4" PIPE.
13. FLOODED SUCTION REQUIRED.
14. LIFTING LUGS NOT SUPPLIED.

COMPONENT LIST:

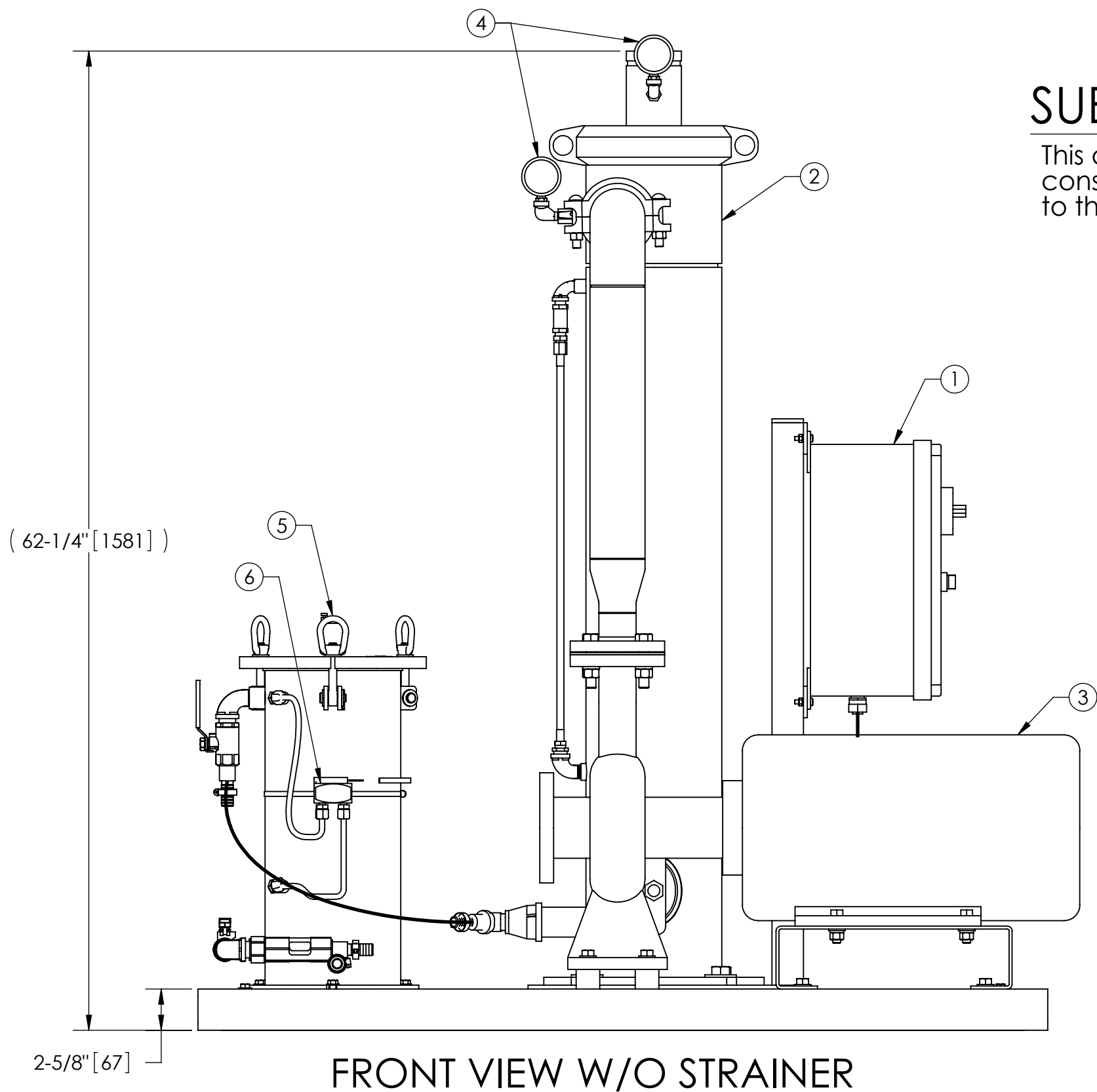
- ① ELECTRICAL CONTROL BOX 460V 60Hz W/120V TRANSFORMER WITH RUN LIGHTS & BAG FULL LIGHT.
- ② SEPARATOR: JPX-0130/V.
- ③ PUMP: 15 HP CENTRIFUGAL, 1800 rpm, 460V, 60Hz, PREMIUM EFFICIENCY, 50°C.
- ④ INLET/OUTLET PRESSURE GAUGES: 0-100 psi, GLYCERIN-FILLED.
- ⑤ PURGE EQUIPMENT: SRV-816.
- ⑥ DIFFERENTIAL PRESSURE INDICATOR WITH DRY CONTACT-MODEL DHE-15-S.
- ⑦ BASKET STRAINER.



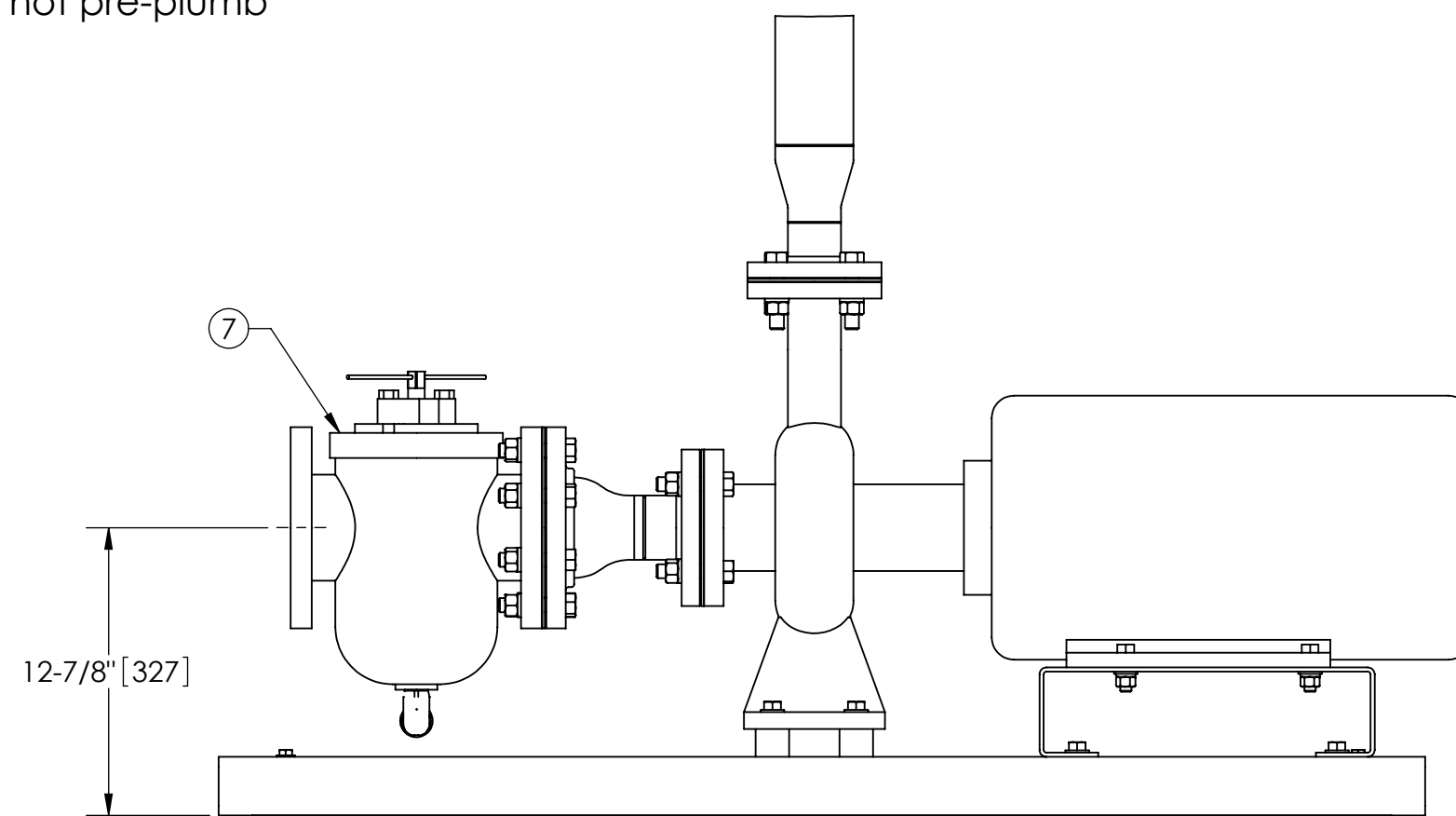
TOP VIEW

SUBMITTAL DRAWING

This drawing is submitted for spatial consideration only. Do not pre-plumb to these dimensions.



FRONT VIEW W/O STRAINER



FRONT VIEW PUMP & STRAINER

| | | | | |
|--|--------------------------------|-----------|--|---------------------------------|
| UNLESS OTHERWISE SPECIFIED: DIMENSIONS ARE IN: INCHES (mm) TOLERANCES ARE: FRACTIONS DECIMALS ANGLES ± 1" .XX ± .01 ± 1/4° .XXX ± .005 .XXXX ± .0005 | ENGINEERED FOR: 50°C | | CLAUDE LAVAL CORP. FRESNO, CALIFORNIA 93727 WWW.LAKOS.COM | LAVAL UNDERGROUND SURVEYS |
| | DO NOT SCALE DRAWING | APPROVALS | | |
| MATERIAL PER LAKOS SPEC | DRAWN CAG | 3/30/11 | TITLE JCX-0225-SRV/50C, JC SYSTEM SWEEPER JPX-0130, 460V 60HZ DELUXE 50C | |
| FINISH AS ASSEMBLED | ENGR JBI | 3/9/11 | SIZE C | MODEL NO. |
| | MFG - | - | DWG NO. | 132656 |
| | WORK ORDER | QTY. | SCALE | 1:8 |
| | | | EST. WT. | 1572 lb |
| | | | SHEET | 1 OF 1 |

DWG. NO. 132656 SHEET 1 REV. 01