

EXCEPT AS OTHERWISE PROVIDED BY CONTRACT, THIS DRAWING AND SPECIFICATIONS SHALL NOT BE REPRODUCED, COPIED OR USED AS THE BASIS FOR MANUFACTURE OR SALE OF MATTER DEPICTED HEREIN WITHOUT THE EXPRESSED WRITTEN PERMISSION OF THE CLAUDE LAVAL CORPORATION, OR ITS ASSIGNEES.

THIS DRAWING HAS BEEN GENERATED AND IS MAINTAINED BY A CAD SYSTEM. CHANGES SHALL ONLY BE INCORPORATED AS DIRECTED BY AN APPROVED ENGINEERING CHANGE ORDER (ECO). PAPER COPIES ARE UNCONTROLLED.

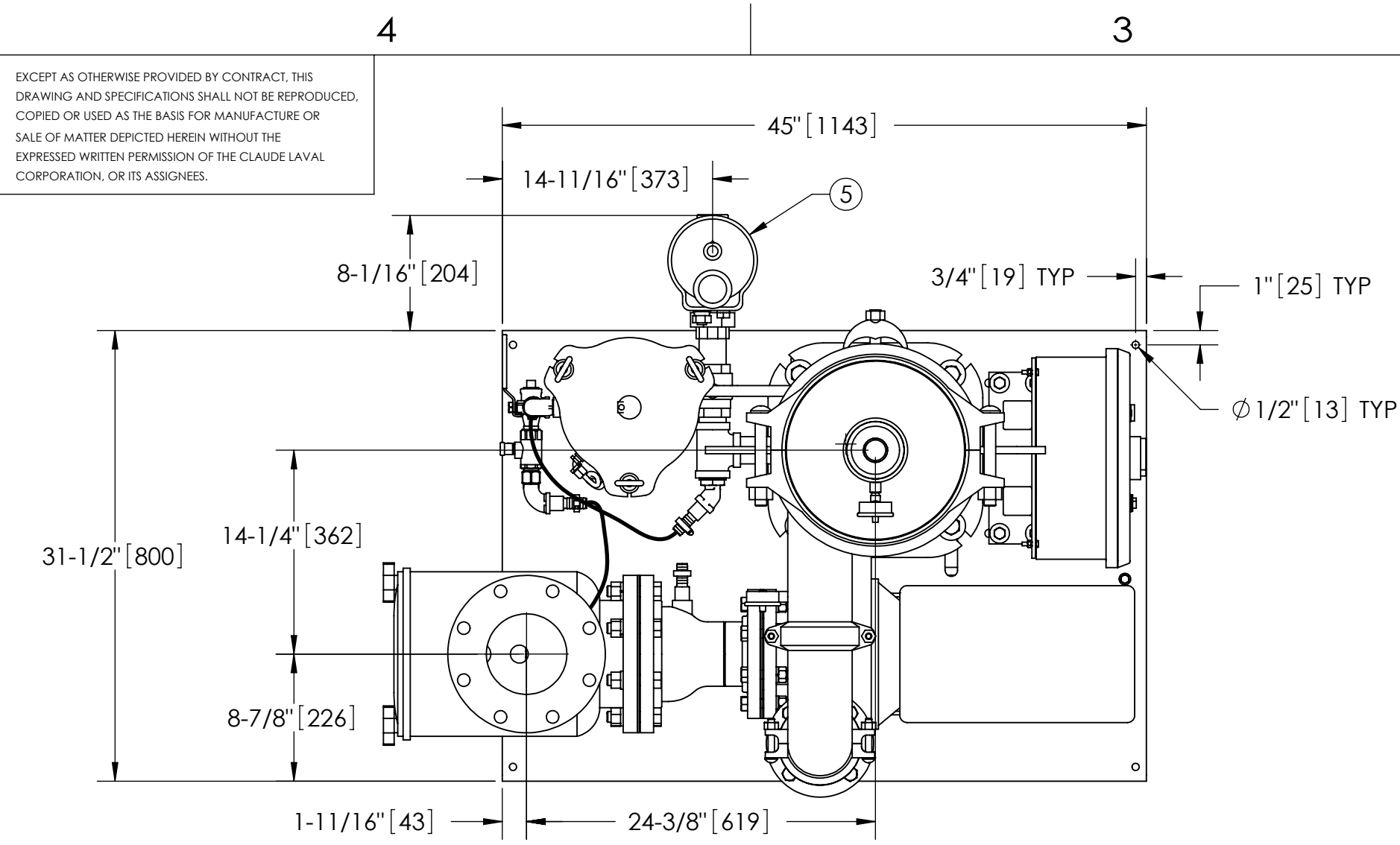
REVISION HISTORY				
ZONE	REV	DESCRIPTION	DATE	APPROVED

NOTES:

- INLET IS 6" PIPE (125# ANSI FLANGED).
- OUTLET IS 4" PIPE (GROOVED).
- PURGE OUTLET IS 1-1/2" PIPE.
- MAXIMUM PRESSURE: 150 psi (10.3 bar).
- MAX FLUID OPERATING TEMPERATURE: 100°F (37.8°C).
- SPECIFIED FLOW RATES:
 BASIN SWEEPING- 410 gpm (93 m³/hr).
 SIDE STREAM & CLOSED LOOP- 500 gpm (114 m³/hr).
- FINISH: AS ASSEMBLED.
- POWER REQUIREMENT: 208V, 230V, 460V, 3PH, 60Hz. (CUSTOMER SPECIFIED)
- NEMA 4X MOTOR STARTER ENCLOSURE WITH SAFETY DISCONNECT AND H.O.A. SWITCH.
- APPROXIMATE DRY WEIGHT: 1234 lbs (559 kg).
- INLET/OUTLET VALVE KIT, RECOMMENDED (SEE FACTORY).
- MINIMUM PIPE FROM TOWER BASIN TO TC SYSTEM IS 6" PIPE.
- FLOODED SUCTION REQUIRED.

COMPONENT LIST:

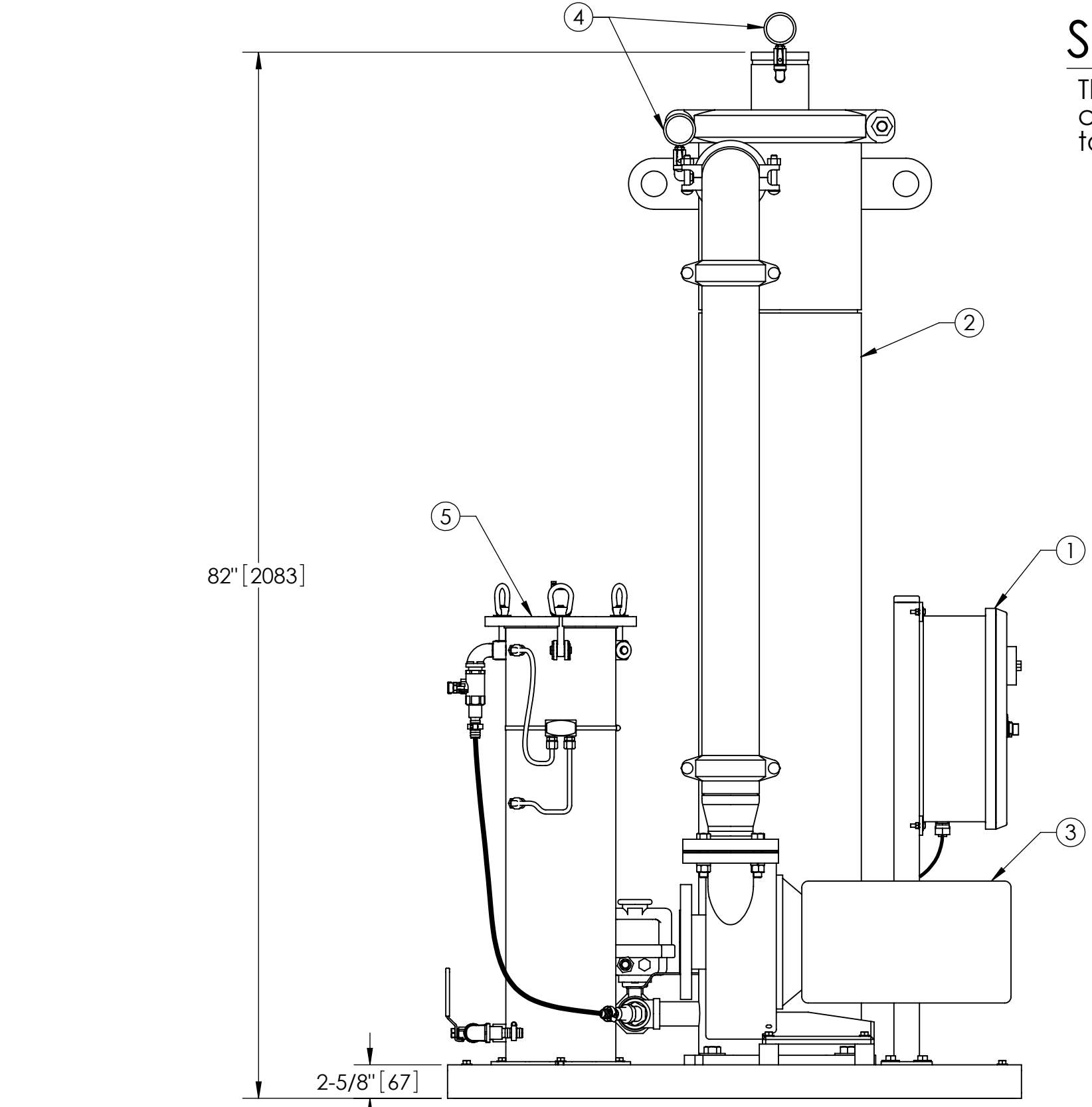
- ELECTRICAL CONTROL BOX 208V, 230V, 460V, 60Hz W/120V TRANSFORMER.
- SEPARATOR: eHTX-0185-V
- PUMP: 10.0 HP CENTRIFUGAL, 1800 rpm, 208V, 230V, 460V, 60Hz.
- INLET/OUTLET PRESSURE GAUGES: 0-160 psi, GLYCERIN-FILLED.
- PURGE EQUIPMENT: SRV-833/EFS-07-120V.
- STRAINER, SUCTION DIFFUSER.



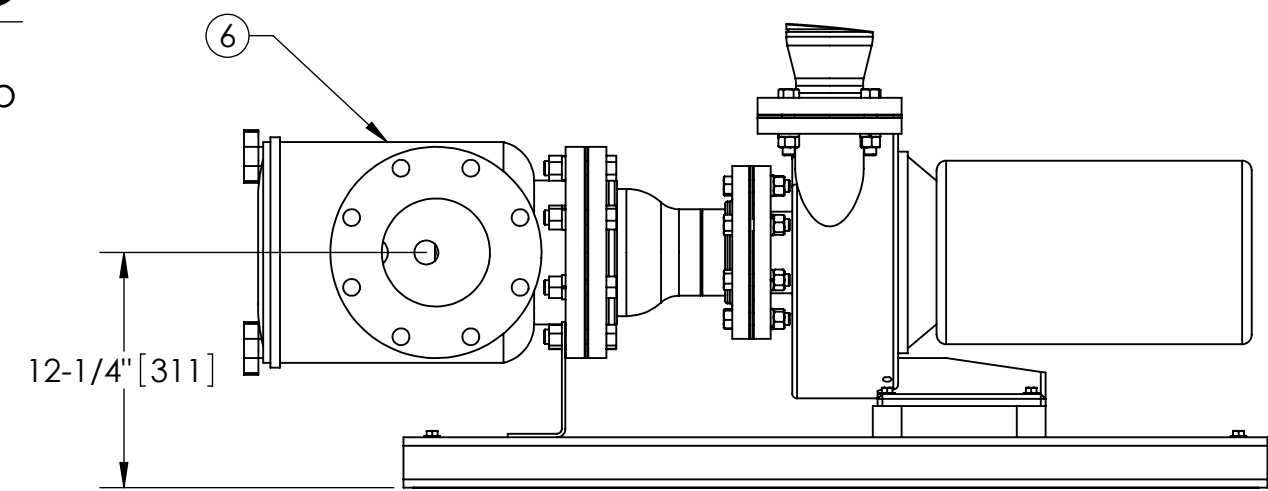
TOP VIEW

SUBMITTAL DRAWING

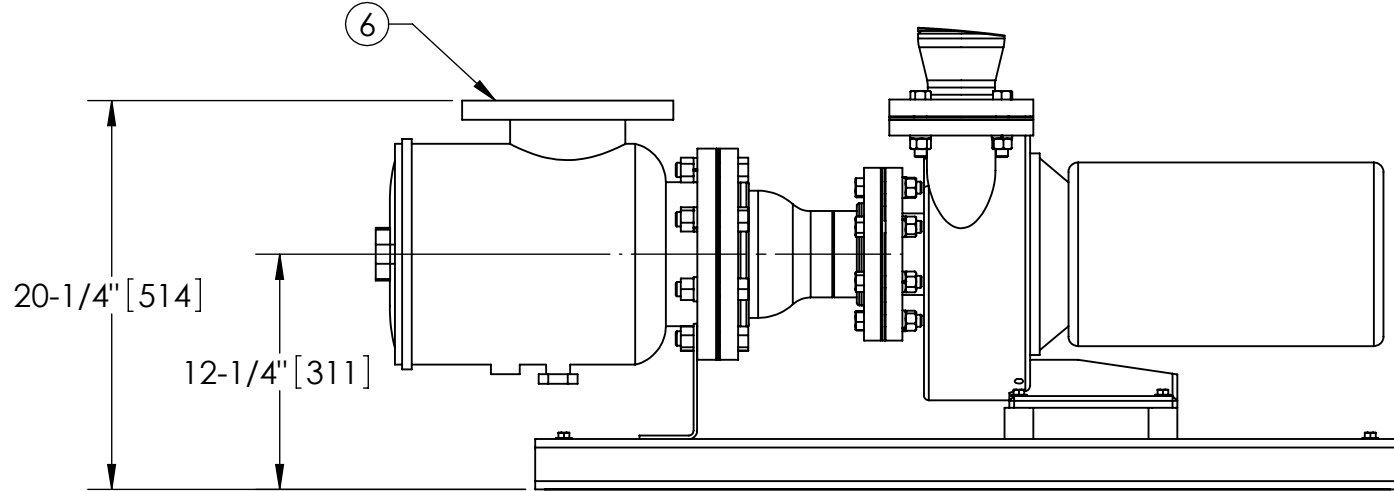
This drawing is submitted for spatial consideration only. Do not pre-plumb to these dimensions.



FRONT VIEW W/O STRAINER



FRONT VIEW ROTATED STRAINER (OPTIONAL)



FRONT VIEW PUMP & STRAINER

UNLESS OTHERWISE SPECIFIED: DIMENSIONS ARE IN: INCHES (mm) TOLERANCES ARE: FRACTIONS DECIMALS ANGLES $\pm 1/2"$.XX $\pm .01$ $\pm 1/4^\circ$.XXX $\pm .005$.XXXX $\pm .0005$	ENGINEERED FOR:		LAKOS CLAUDE LAVAL CORP. FRESNO, CALIFORNIA 93727 WWW.LAKOS.COM				
	STANDARD		APPROVALS	DATE			
	DO NOT SCALE DRAWING	DRAWN	TRR	12/10/12			
	MATERIAL	ENGR	-	-			
FINISH	MFG	-	-	TITLE			
AS ASSEMBLED	WORK ORDER	-	-	eTCX-0410-SRV/EFS, TC SYSTEM HI EFFICIENCY eHTX-0185, 3/60/208, 230, 460V			
				SIZE	MODEL NO.	DWG NO.	REV.
				C		135321	A
				SCALE	1:10	EST. WT.	1234 lb
						SHEET	1 OF 1

DWG. NO. 135321 SHEET REV. A