

EXCEPT AS OTHERWISE PROVIDED BY CONTRACT, THIS DRAWING AND SPECIFICATIONS SHALL NOT BE REPRODUCED, COPIED OR USED AS THE BASIS FOR MANUFACTURE OR SALE OF MATTER DEPICTED HEREIN WITHOUT THE EXPRESSED WRITTEN PERMISSION OF THE CLAUDE LAVAL CORPORATION, OR ITS ASSIGNEES.

THIS DRAWING HAS BEEN GENERATED AND IS MAINTAINED BY A CAD SYSTEM. CHANGES SHALL ONLY BE INCORPORATED AS DIRECTED BY AN APPROVED ENGINEERING CHANGE ORDER (ECO). PAPER COPIES ARE UNCONTROLLED.

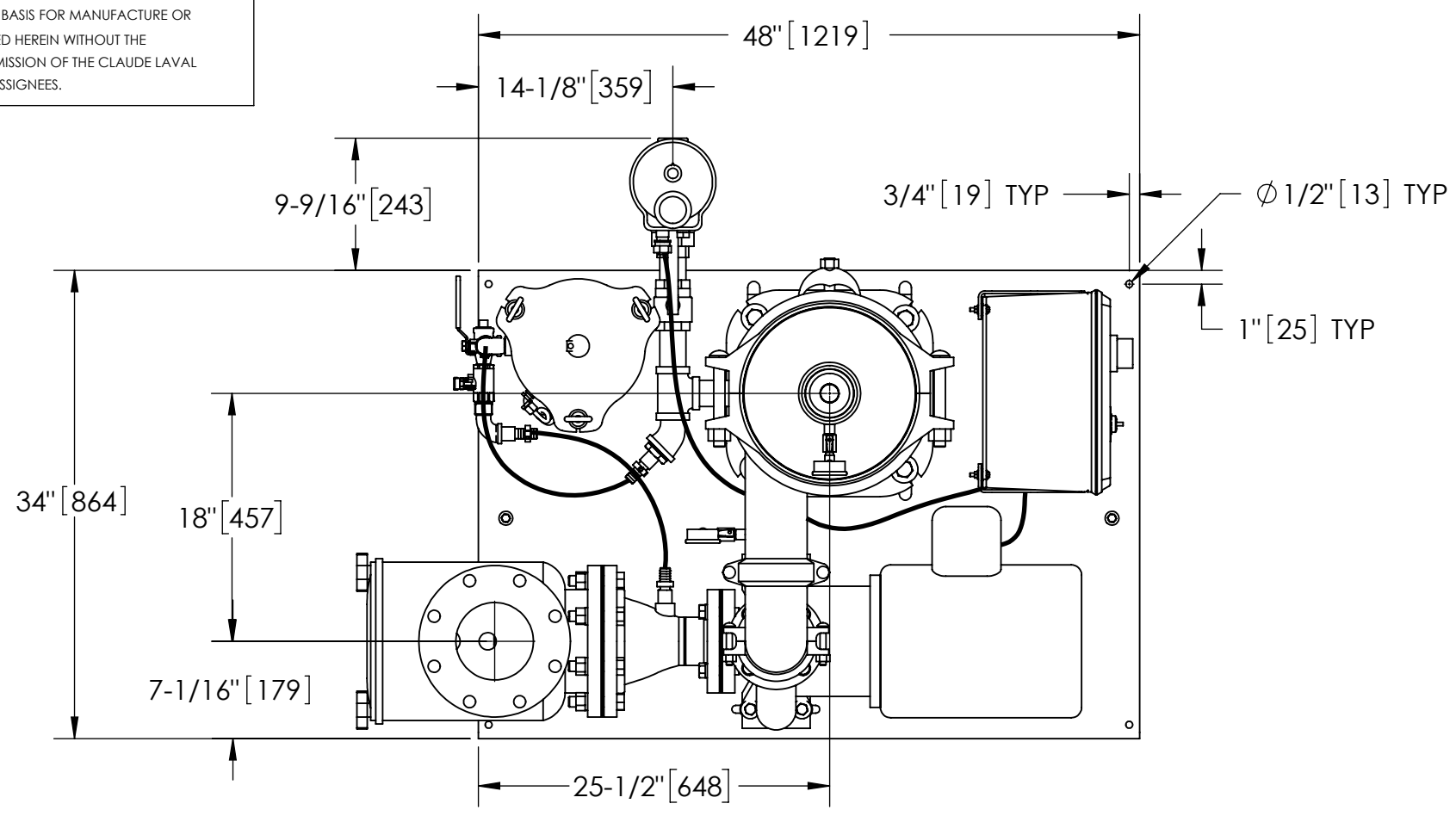
REVISION HISTORY				
ZONE	REV	DESCRIPTION	DATE	APPROVED

**NOTES:**

- INLET IS 6" PIPE (125# ANSI FLANGED).
- OUTLET IS 4" PIPE (GROOVED).
- PURGE OUTLET IS 1-1/2" PIPE.
- MAXIMUM PRESSURE: 150 psi (10.3 bar).
- MAX FLUID OPERATING TEMPERATURE: 100°F (37.8°C).
- SPECIFIED FLOW RATES:  
BASIN SWEEPING- 310 gpm (70 m³/hr).  
SIDE STREAM & CLOSED LOOP- 365 gpm (83 m³/hr)
- FINISH: AS ASSEMBLED.
- POWER REQUIREMENT: 208V/230V/460V, 3PH, 60Hz. (CUSTOMER SPECIFIED)
- NEMA 4X MOTOR STARTER ENCLOSURE WITH SAFETY DISCONNECT AND H.O.A. SWITCH.
- APPROXIMATE DRY WEIGHT: 1230 lbs (535 kg).
- INLET/OUTLET VALVE KIT RECOMMENDED: SEE FACTORY.
- MINIMUM PIPE FROM TOWER BASIN TO TC SYSTEM IS 6" PIPE. FLOODED SUCTION REQUIRED.

**COMPONENT LIST:**

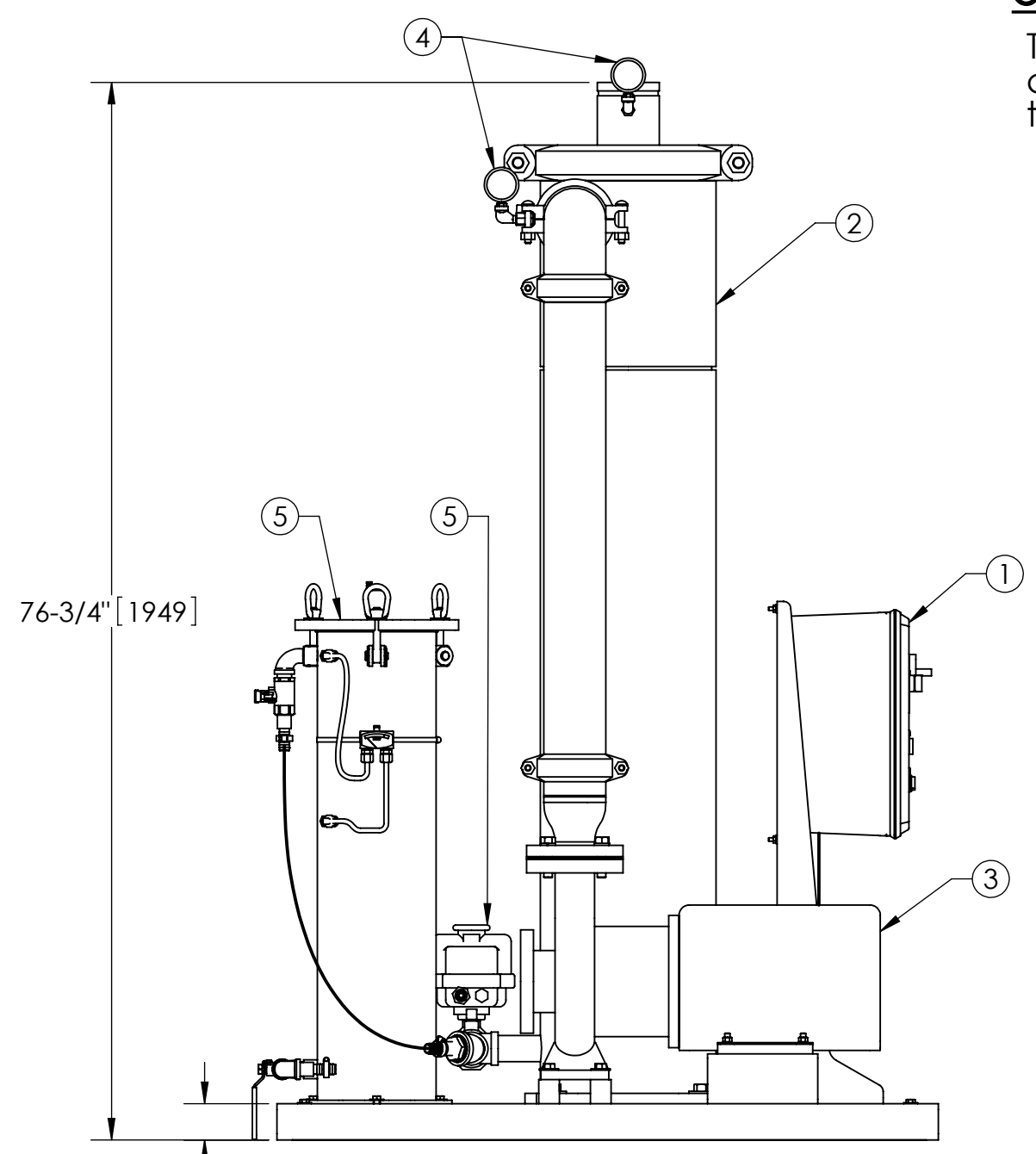
- ① ELECTRICAL CONTROL BOX 208V/230V/460V 60Hz W/120V TRANSFORMER.
- ② SEPARATOR: eHTX-0140-V.
- ③ PUMP: 7.5 HP CENTRIFUGAL, 1800 rpm, 208V/230V/460V, 60Hz.
- ④ INLET/OUTLET PRESSURE GAUGES: 0-100 psi, GLYCERIN-FILLED.
- ⑤ PURGE EQUIPMENT: SRV-833 & EFS-15-120V.
- ⑥ STRAINER, SUCTION DIFFUSER.



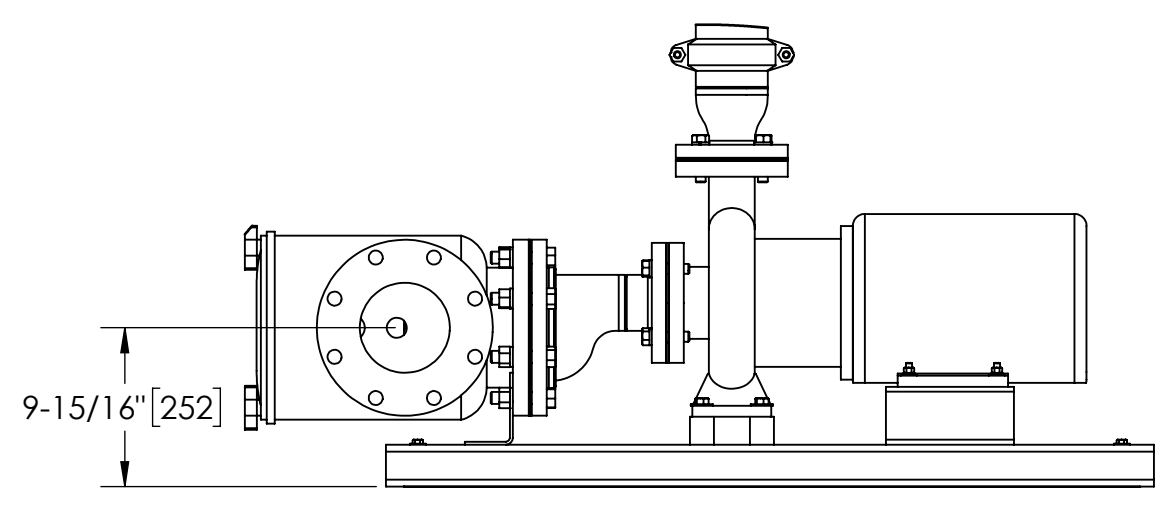
**TOP VIEW**

**SUBMITTAL DRAWING**

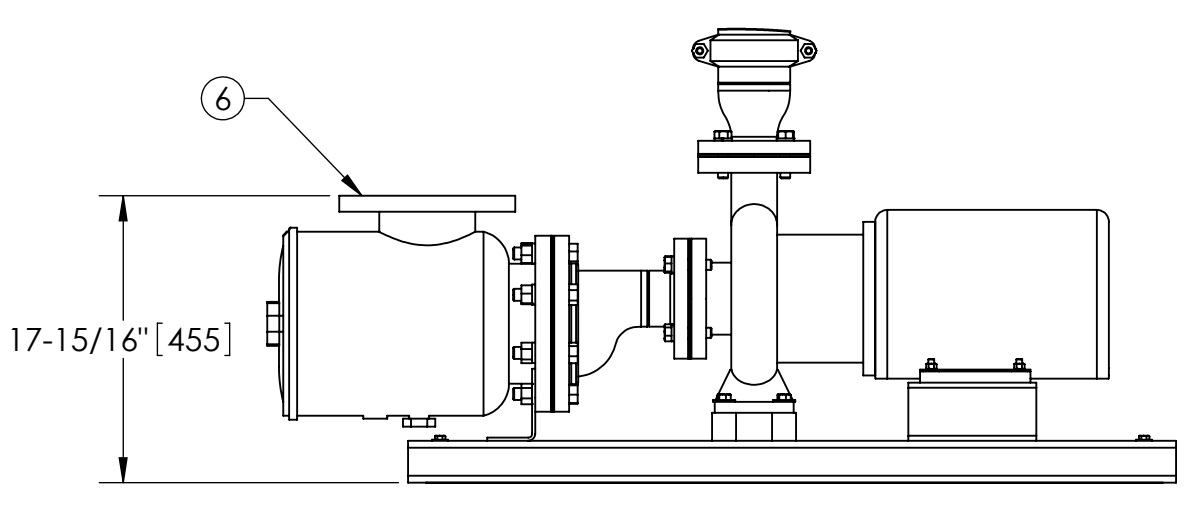
This drawing is submitted for spatial consideration only. Do not pre-plumb to these dimensions.



**FRONT VIEW W/O STRAINER**



**FRONT VIEW ROTATED STRAINER (OPTIONAL)**



**FRONT VIEW PUMP & STRAINER**

UNLESS OTHERWISE SPECIFIED: DIMENSIONS ARE IN: INCHES [mm] TOLERANCES ARE: FRACTIONS    DECIMALS    ANGLES ± 1/2"        .XX ± .01        ± 1/4° .XXX ± .005 .XXXX ± .0005	ENGINEERED FOR: <b>STANDARD</b>		<b>LAKOS</b> CLAUDE LAVAL CORP. FRESNO, CALIFORNIA 93727 WWW.LAKOS.COM		
	APPROVALS	DATE			
	DO NOT SCALE DRAWING	DRAWN    TRR	9/28/12	TITLE eTCX-0310-SRV/EF5, TC SYSTEM HI EFF SWEEPER eHTX-0140, 3/60/ 208 230 460V	
	MATERIAL PER LAKOS SPEC	ENGR	-	SIZE C	MODEL NO.
FINISH AS ASSEMBLED	MFG	-	DWG NO. <b>135320</b>	REV. C	
	WORK ORDER		SCALE 1:12	EST. WT. 1230 lb	SHEET 1 OF 1

D

C

B

A

D

C

B

A

DWG NO.

135320

SHT

REV. C