

EXCEPT AS OTHERWISE PROVIDED BY CONTRACT, THIS DRAWING AND SPECIFICATIONS SHALL NOT BE REPRODUCED, COPIED OR USED AS THE BASIS FOR MANUFACTURE OR SALE OF MATTER DEPICTED HEREIN WITHOUT THE EXPRESSED WRITTEN PERMISSION OF THE CLAUDE LAVAL CORPORATION, OR ITS ASSIGNEES.

THIS DRAWING HAS BEEN GENERATED AND IS MAINTAINED BY A CAD SYSTEM. CHANGES SHALL ONLY BE INCORPORATED AS DIRECTED BY AN APPROVED ENGINEERING CHANGE ORDER (ECO). PAPER COPIES ARE UNCONTROLLED.

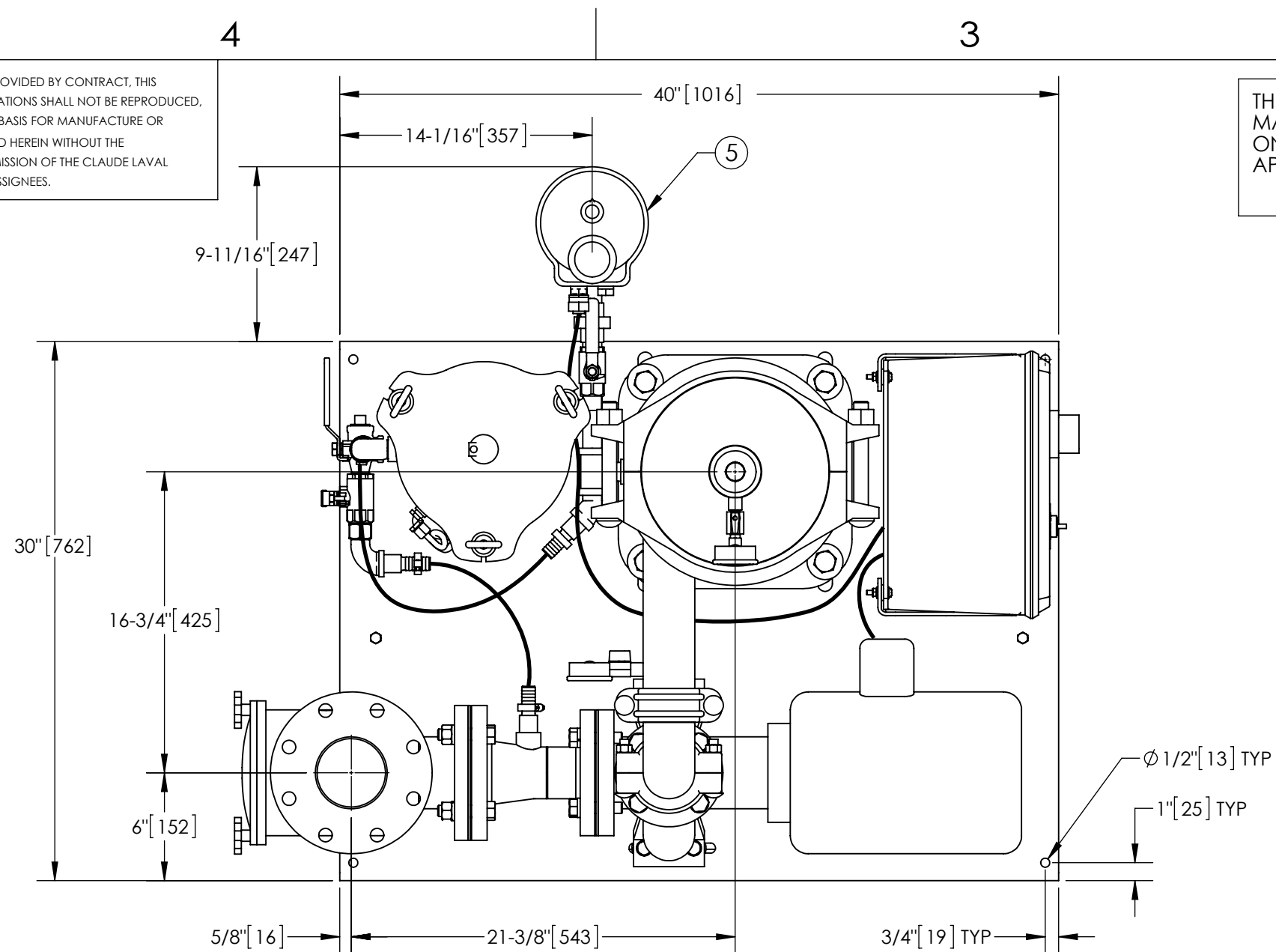
REVISION HISTORY				
ZONE	REV	DESCRIPTION	DATE	APPROVED
	A	RELEASE FOR MANUFACTURING	1/5/13	TRR
	B	REPLACE EBOX 135254 TO 136993 & ADD ALL EFS PARTS TO BOM	4/15/14	TRR
	C	CHANGE PACO PUMP #135142 TO AMER MARSH #138763	1/13/2016	TRR

NOTES:

- INLET IS 4" FLANGED (125# ANSI FLANGED).
- OUTLET IS 2-1/2" PIPE (GROOVED).
- PURGE OUTLET IS 3/4" PIPE.
- MAXIMUM PRESSURE: 150 psi (10.3 bar).
- MAXIMUM FLUID OPERATING TEMPERATURE: 100°F (37.8°C).
- SPECIFIED FLOW RATES:
 BASIN SWEEPING - 160 gpm (36 m³/hr).
 SIDE STREAM & CLOSED LOOP- 210 gpm (48 m³/hr).
- FINISH: AS ASSEMBLED.
- POWER REQUIREMENT: 208V/230V/460V, 3PH, 60HZ. (CUSTOMER SPECIFIED)
- NEMA 4X MOTOR STARTER ENCLOSURE WITH SAFETY DISCONNECT AND H.O.A. SWITCH.
- APPROXIMATE DRY WEIGHT: 804 lbs (363 kg).
- INLET/OUTLET VALVE KIT RECOMMENDED: SEE FACTORY.
- MINIMUM PIPE FROM TOWER BASIN TO TC SYSTEM IS 4" PIPE.
- FLOODED SUCTION REQUIRED.

COMPONENT LIST:

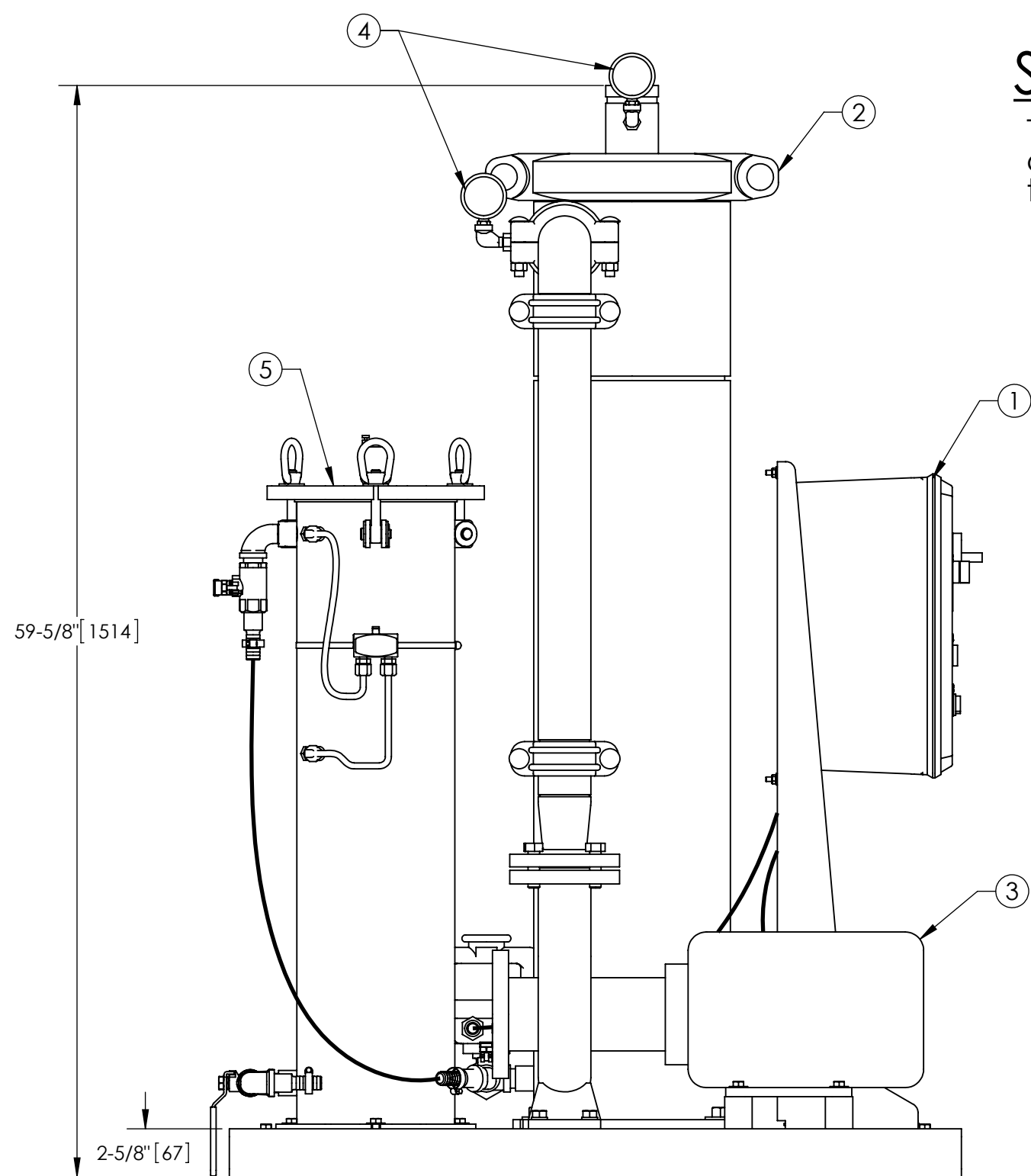
- ELECTRICAL CONTROL BOX 208V/230V/460V, 60Hz W/120V TRANSFORMER.
- SEPARATOR: eHTX-0080-V.
- PUMP: 5 HP CENTRIFUGAL, 1750 rpm, 3/60/208 230 460V.
- INLET/OUTLET PRESSURE GAUGES: 0-160 psi, GLYCERIN-FILLED.
- PURGE EQUIPMENT: SRV-833/EFS-07-120V.
- STRAINER SUCTION DIFFUSER.



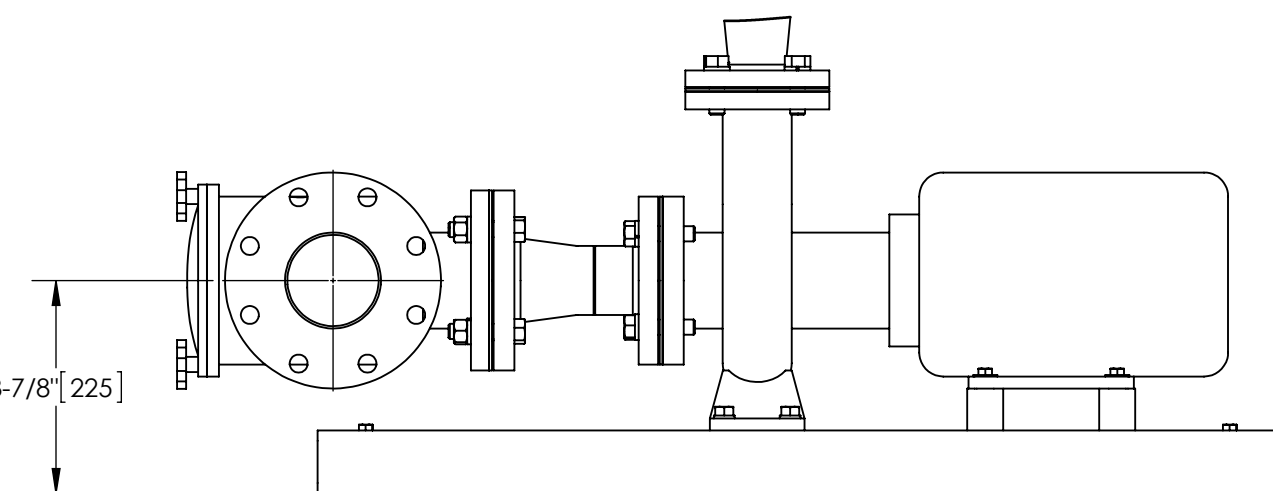
TOP VIEW

SUBMITTAL DRAWING

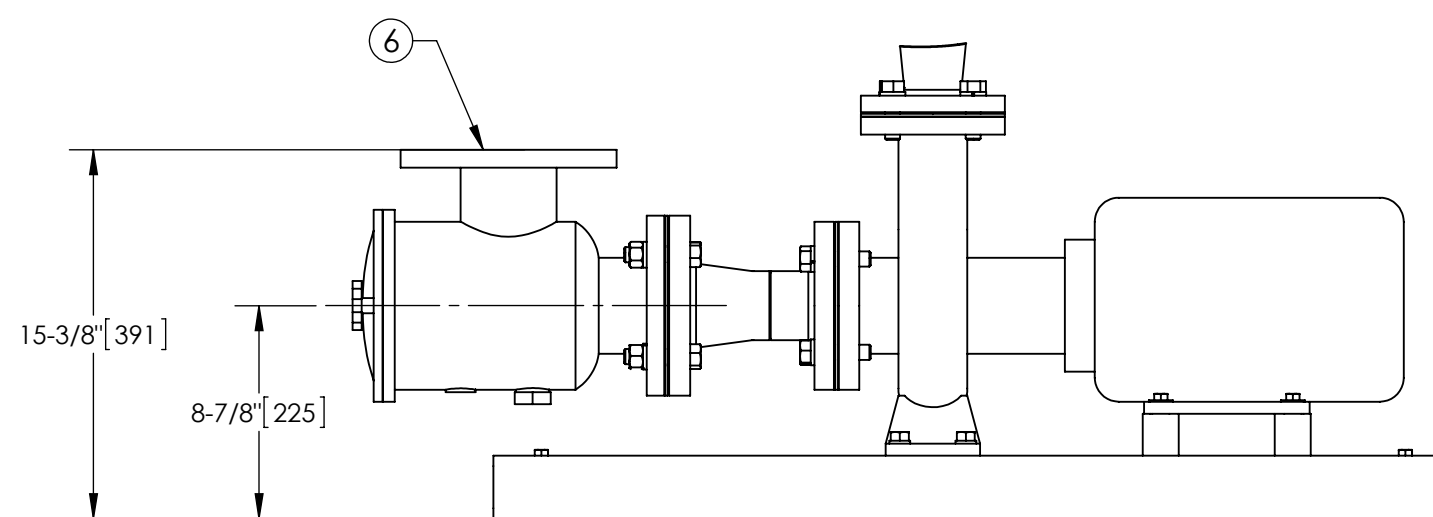
This drawing is submitted for spatial consideration only. Do not pre-plumb to these dimensions.



FRONT VIEW W/O STRAINER



FRONT VIEW ROTATED STRAINER (OPTIONAL)



FRONT VIEW PUMP & STRAINER

UNLESS OTHERWISE SPECIFIED: DIMENSIONS ARE IN: inches [mm] TOLERANCES ARE: FRACTIONS DECIMALS ANGLES ± 1/2" X ± 0.02 ± 1/4" XX ± 0.01 XXX ± 0.005		ENGINEERED FOR: STANDARD		LAKOS		CLAUDE LAVAL CORP. FRESNO, CALIFORNIA 93727 WWW.LAKOS.COM	
DO NOT SCALE DRAWING		APPROVALS	DATE	TITLE		eTCX-0160-SRV/EFS, TC SYSTEM	
MATERIAL PER LAKOS SPEC		DRAWN	1/11/16	HI EFF SWEEPER eHTX-0080, 3/60/208 230 460V		SCALE	
FINISH AS ASSEMBLED		ENGR	-	SIZE		MODEL NO.	DWG NO.
		MFG	-	C			135318
		WORK ORDER	QTY.	SCALE		EST. WT.	SHEET
				1:8		804 lbs	1 OF 1

DWG NO. 135139
SHEET 1
REV. C