

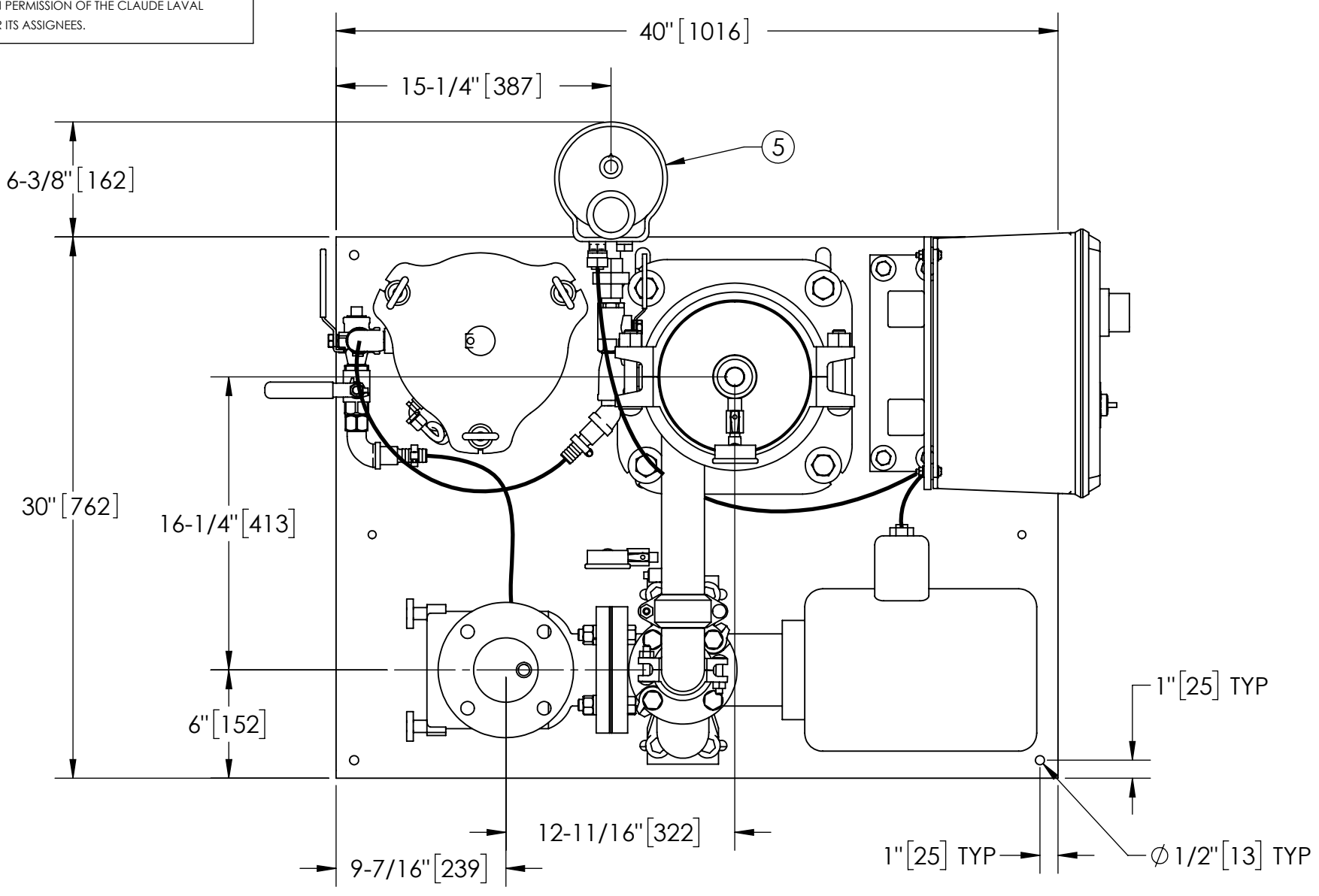
EXCEPT AS OTHERWISE PROVIDED BY CONTRACT, THIS DRAWING AND SPECIFICATIONS SHALL NOT BE REPRODUCED, COPIED OR USED AS THE BASIS FOR MANUFACTURE OR SALE OF MATTER DEPICTED HEREIN WITHOUT THE EXPRESSED WRITTEN PERMISSION OF THE CLAUDE LAVAL CORPORATION, OR ITS ASSIGNEES.

THIS DRAWING HAS BEEN GENERATED AND IS MAINTAINED BY A CAD SYSTEM. CHANGES SHALL ONLY BE INCORPORATED AS DIRECTED BY AN APPROVED ENGINEERING CHANGE ORDER (ECO). PAPER COPIES ARE UNCONTROLLED.

REVISION HISTORY				
ZONE	REV	DESCRIPTION	DATE	APPROVED

- NOTES:**
- INLET IS 3" PIPE (125# ANSI FLANGED).
  - OUTLET IS 2" PIPE (GROOVED).
  - PURGE OUTLET IS 3/4" PIPE.
  - MAXIMUM PRESSURE: 150 psi (10.3 bar).
  - MAXIMUM TEMPERATURE: MAX FLUID OPERATING TEMPERATURE: 100° F (37.8° C).
  - SPECIFIED FLOW RATES:  
 BASIN SWEEPING- 110 gpm (25 m³/hr).  
 SIDE STREAM & CLOSED LOOP- 140 gpm (32 m³/hr).
  - FINISH: AS ASSEMBLED.
  - POWER REQUIREMENT: 208V/230V/460V, 3PH, 60Hz. (CUSTOMER SPECIFIED)
  - NEMA 4X MOTOR STARTER ENCLOSURE WITH SAFETY DISCONNECT AND H.O.A. SWITCH.
  - APPROXIMATE DRY WEIGHT: 852 lbs (312 kg).
  - INLET/OUTLET VALVE KIT, RECOMMENDED (SEE FACTORY).
  - MINIMUM PIPE FROM TOWER BASIN TO TC SYSTEM IS 3" PIPE.
  - FLOODED SUCTION REQUIRED.

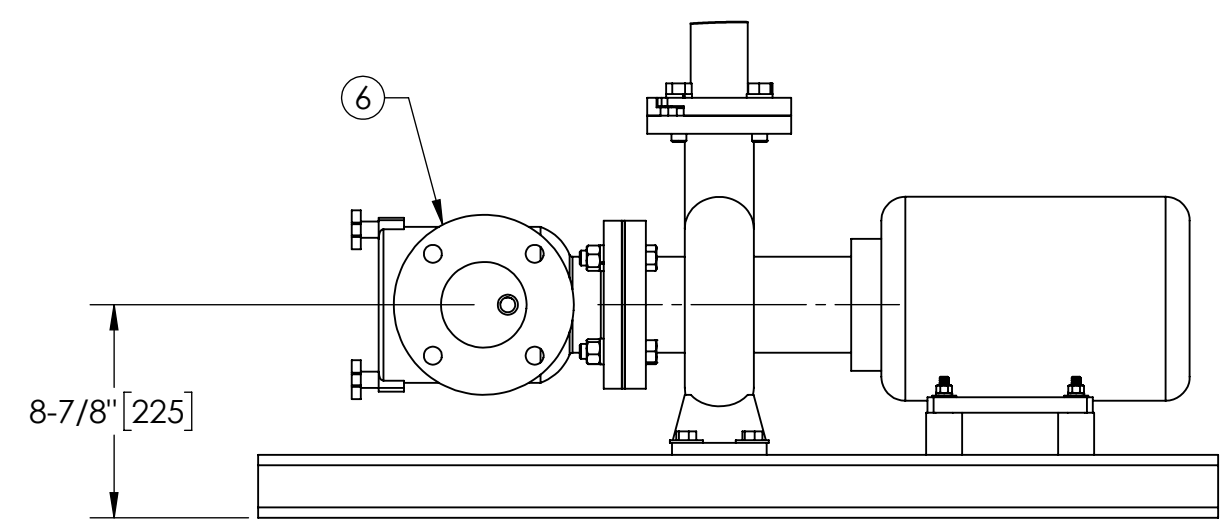
- COMPONENT LIST:**
- ELECTRICAL CONTROL BOX 208V/230V/460V, 60Hz W/120V TRANSFORMER.
  - SEPARATOR: eHTX-0060-V.
  - PUMP: 5 HP CENTRIFUGAL, 1800 rpm, 208V/230V/460V, 60Hz.
  - INLET/OUTLET PRESSURE GAUGES: 0-150 psi, GLYCERIN-FILLED.
  - PURGE EQUIPMENT: SRV-833/EF5-07-120V.
  - STRAINER, SUCTION DIFFUSER.



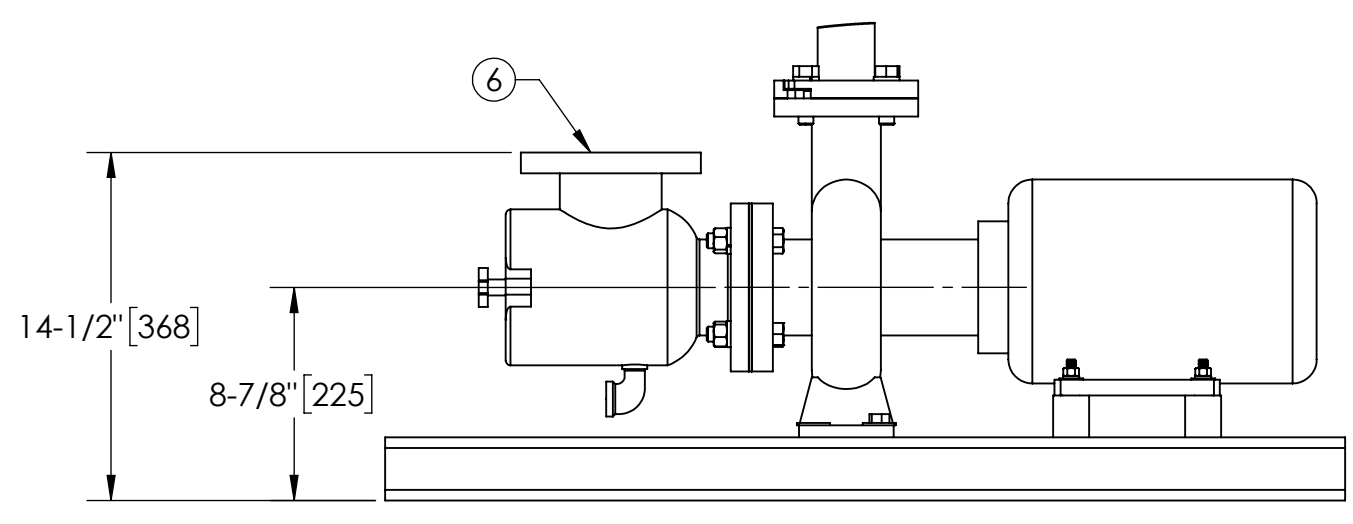
**TOP VIEW**

**SUBMITTAL DRAWING**

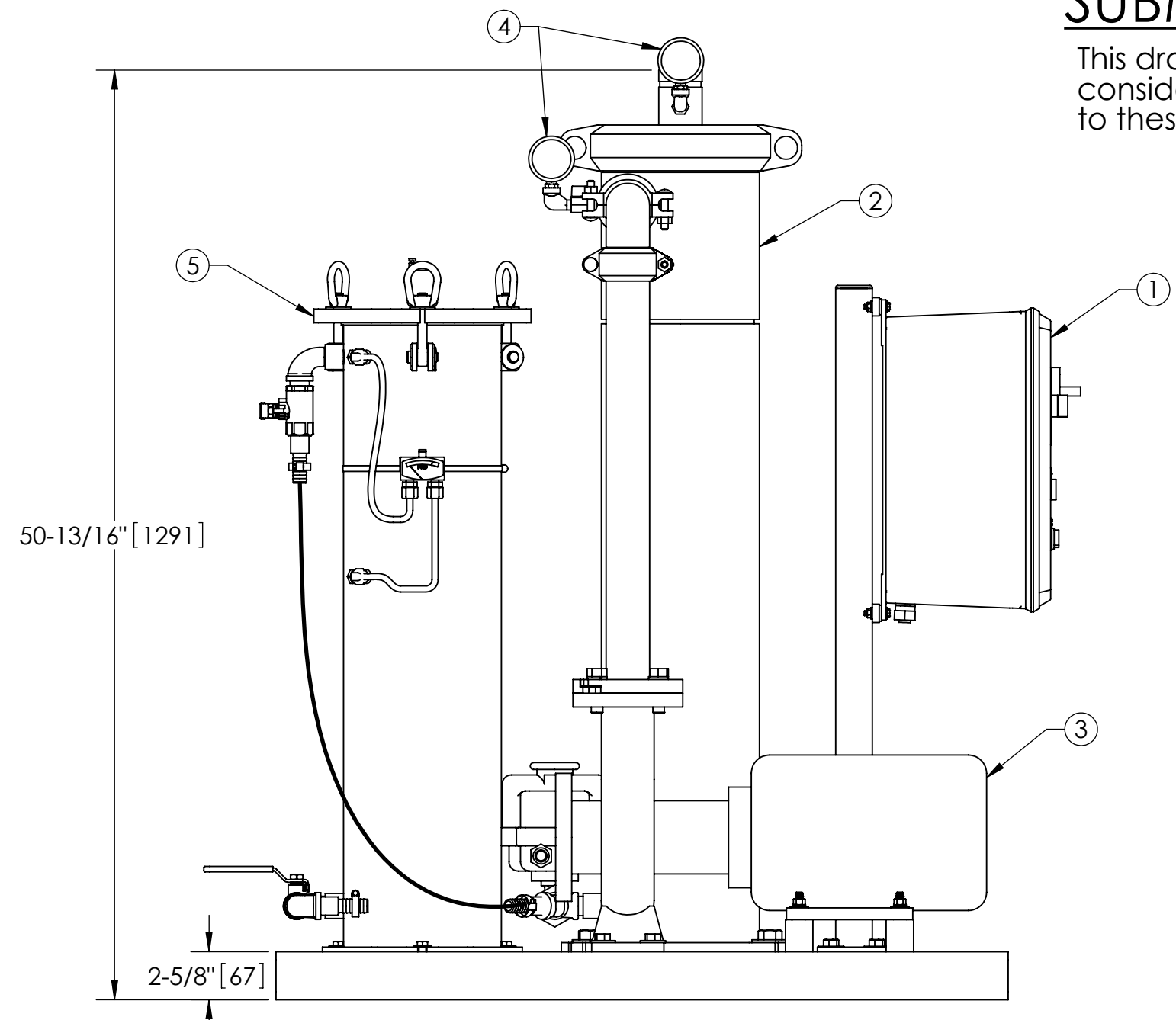
This drawing is submitted for spatial consideration only. Do not pre-plumb to these dimensions.



**FRONT VIEW ROTATED STRAINER (OPTIONAL)**



**FRONT VIEW PUMP & STRAINER**



**FRONT VIEW W/O STRAINER**

UNLESS OTHERWISE SPECIFIED: DIMENSIONS ARE IN: INCHES (mm) TOLERANCES ARE: FRACTIONS DECIMALS ANGLES ± 1/2" .XX ± .01 ± 1/4" .XXX ± .005 .XXXX ± .0005	ENGINEERED FOR: <b>STANDARD</b>		<b>LAKOS</b> CLAUDE LAVAL CORP. FRESNO, CALIFORNIA 93727 WWW.LAKOS.COM	
	APPROVALS	DATE		
DO NOT SCALE DRAWING	DRAWN ADJ/CAG	11/12/12	TITLE eTCX-0110-EFS/SRV, TC SYSTEM HI EFF SWEEPER eHTX-0060, 3/60/208, 230, 460V	
MATERIAL PER LAKOS SPEC	ENGR -	-	SIZE C	MODEL NO.
FINISH AS ASSEMBLED	MFG -	-	DWG NO. <b>135317</b>	REV. D
	WORK ORDER	QTY.	SCALE 1:8	EST. WT. 852 lb
			SHEET 1 OF 1	

DWG NO. 135317 SHEET REV. D