

EXCEPT AS OTHERWISE PROVIDED BY CONTRACT, THIS DRAWING AND SPECIFICATIONS SHALL NOT BE REPRODUCED, COPIED OR USED AS THE BASIS FOR MANUFACTURE OR SALE OF MATTER DEPICTED HEREIN WITHOUT THE EXPRESSED WRITTEN PERMISSION OF THE CLAUDE LAVAL CORPORATION, OR ITS ASSIGNEES.

| REVISION HISTORY | | | | |
|------------------|-----|-------------|------|----------|
| ZONE | REV | DESCRIPTION | DATE | APPROVED |

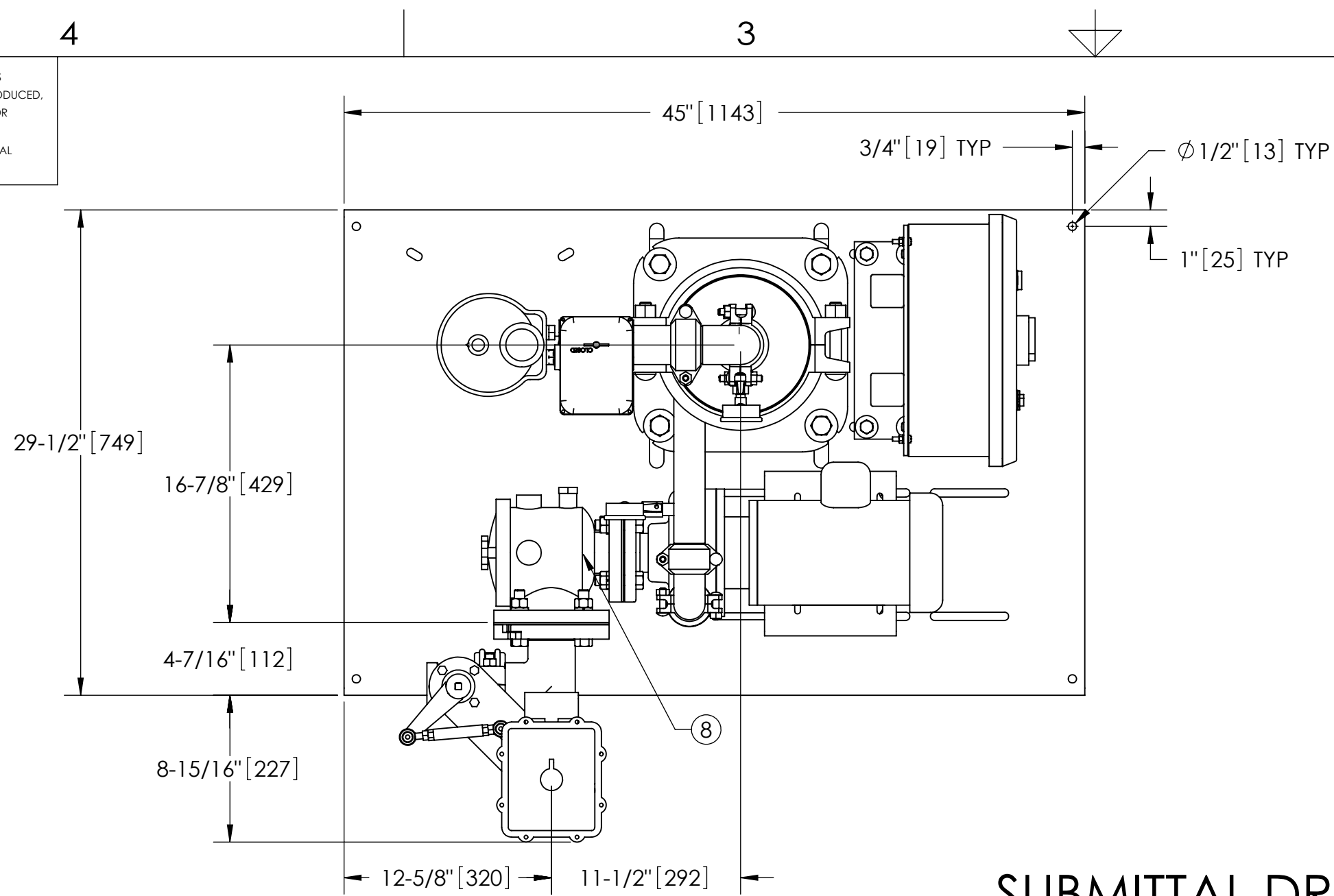
THIS DRAWING HAS BEEN GENERATED AND IS MAINTAINED BY A CAD SYSTEM. CHANGES SHALL ONLY BE INCORPORATED AS DIRECTED BY AN APPROVED ENGINEERING CHANGE ORDER (ECO). PAPER COPIES ARE UNCONTROLLED.

NOTES:

- INLET IS 2-1/2" PIPE (125# ANSI FLANGED).
- OUTLET IS 1-1/2" PIPE (GROOVED).
- PURGE OUTLET IS 3/4" PIPE.
- MAXIMUM PRESSURE: 150 psi (10.3 bar).
- MAX FLUID OPERATING TEMPERATURE: 100°F (37.8°C).
- SPECIFIED FLOW RATES:
 BASIN SWEEPING- 80 gpm (18 m³/hr).
 SIDE STREAM & CLOSED LOOP- 95 gpm (22 m³/hr).
- FINISH: AS ASSEMBLED.
- POWER REQUIREMENT: 208V/230V/460V, 3PH, 60Hz. (CUSTOMER SPECIFIED)
- NEMA 4X MOTOR STARTER ENCLOSURE WITH SAFETY DISCONNECT AND H.O.A. SWITCH.
- APPROXIMATE DRY WEIGHT: 633 lbs (262 kg).
- INLET/OUTLET VALVE KIT RECOMMENDED: SEE FACTORY.
- MINIMUM PIPE FROM TOWER BASIN TO TC SYSTEM IS 2-1/2" PIPE.
- FLOODED SUCTION REQUIRED.

COMPONENT LIST:

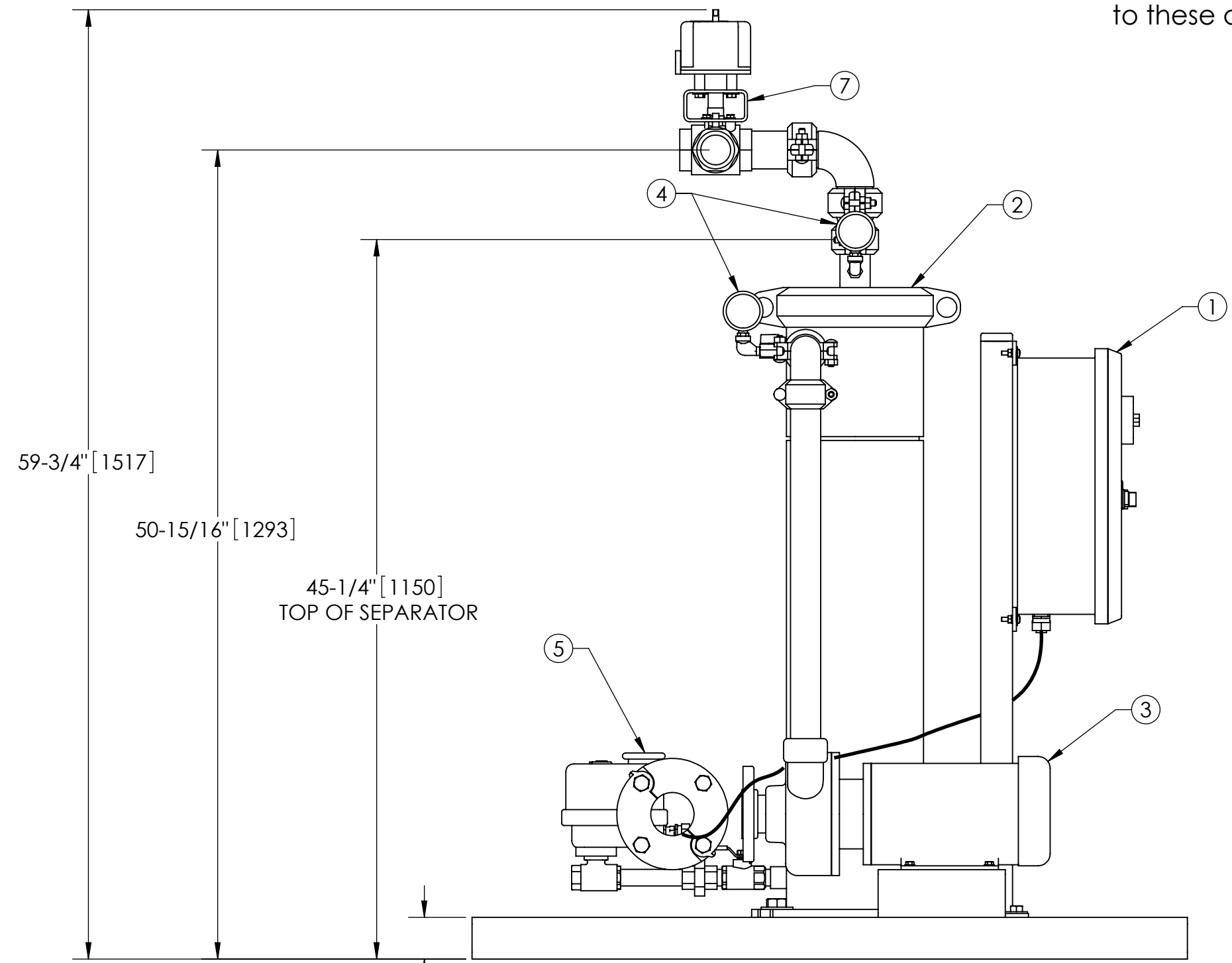
- ELECTRICAL CONTROL BOX 208V/230V/460V, 60Hz W/120V TRANSFORMER.
- SEPARATOR: eHTX-0040-V.
- PUMP: 2 HP CENTRIFUGAL, 3600 rpm, 208V/230V/460V, 60Hz.
- INLET/OUTLET PRESSURE GAUGES: 0-100 psi, GLYCERIN-FILLED.
- PURGE EQUIPMENT: EFS-07-120V.
- INLET SWITCHING VALVES.
- OUTLET SWITCHING VALVES.
- STRAINER, SUCTION DIFFUSER.



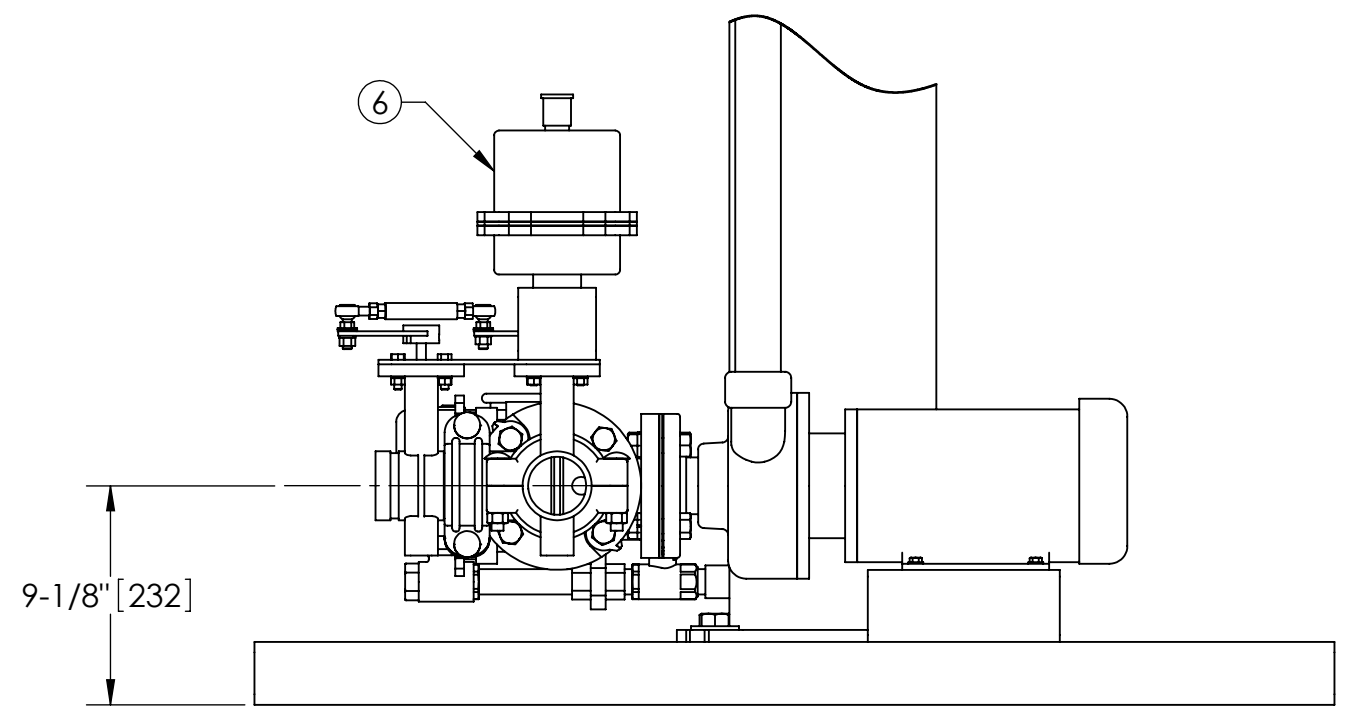
TOP VIEW

SUBMITTAL DRAWING

This drawing is submitted for spatial consideration only. Do not pre-plumb to these dimensions.



FRONT VIEW W/O STRAINER



FRONT VIEW PUMP & STRAINER

| | | | | | | | |
|--|--------------|------------------------------------|---|---|---|---------------------------|--------------------------|
| UNLESS OTHERWISE SPECIFIED: DIMENSIONS ARE IN: INCHES [mm] TOLERANCES ARE: FRACTIONS DECIMALS ANGLES ± 1/2" .XX ± .01 ± 1/4" .XXX ± .005 .XXXX ± .0005 | | ENGINEERED FOR: STANDARD | | CLAUDE LAVAL CORP. FRESNO, CALIFORNIA 93727 WWW.LAKOS.COM | | LAVAL UNDERGROUND SURVEYS | |
| DO NOT SCALE DRAWING | APPROVALS | DATE | TITLE eTCX-0080-2 TWR/EFS, TC SYSTEM HI EFFICIENCY eHTX-0040, 3/60/208, 230, 460V | | | | |
| MATERIAL PER LAKOS SPEC | DRAWN TRR | 12/13/12 | ENGR | - | - | SIZE C | |
| FINISH AS ASSEMBLED | MFG | - | WORK ORDER | - | - | MODEL NO. | DWG NO. 135335 |
| SCALE 1:8 | | EST. WT. 633 lb | | SHEET 1 OF 1 | | REV. A | |

DWG NO. 135335
SHEET REV. A