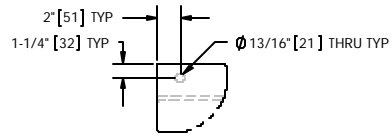
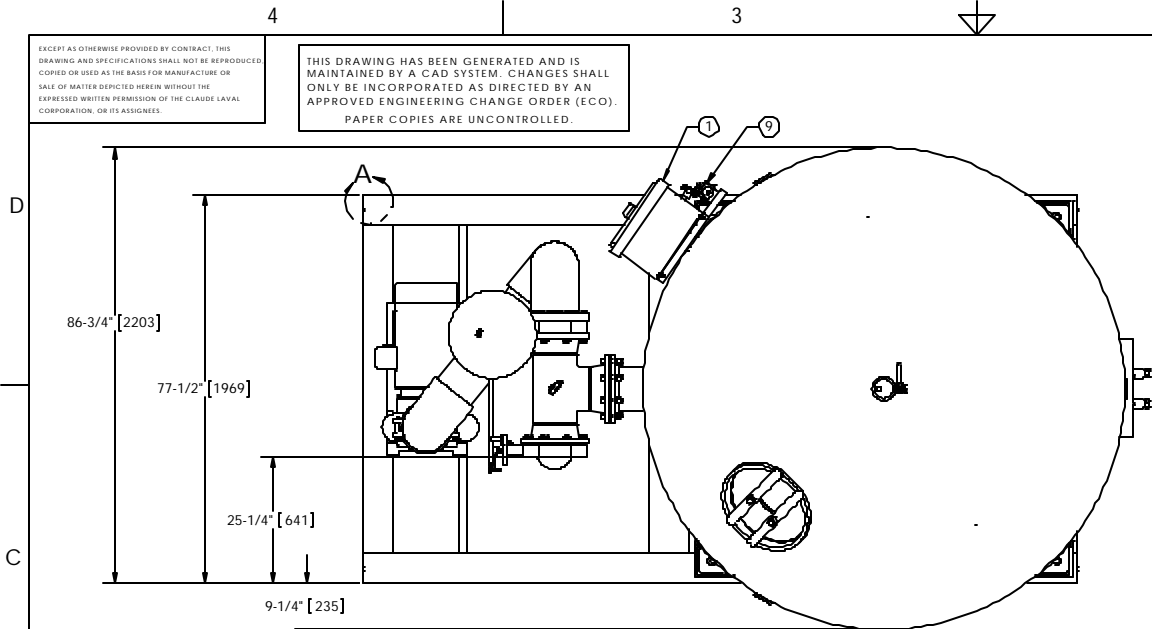


EXCEPT AS OTHERWISE PROVIDED BY CONTRACT, THIS DRAWING AND SPECIFICATIONS SHALL NOT BE REPRODUCED, COPIED OR USED AS THE BASIS FOR MANUFACTURE OR SALE OF MATTER PROVIDED HEREIN WITHOUT THE EXPRESSED WRITTEN PERMISSION OF THE CLAUDE LAVAL CORPORATION, OR ITS ASSIGNEES.

THIS DRAWING HAS BEEN GENERATED AND IS MAINTAINED BY A CAD SYSTEM. CHANGES SHALL ONLY BE INCORPORATED AS DIRECTED BY AN APPROVED ENGINEERING CHANGE ORDER (ECO). PAPER COPIES ARE UNCONTROLLED.

| REVISIONS |      |             |      |          |
|-----------|------|-------------|------|----------|
| ZONE      | REV. | DESCRIPTION | DATE | APPROVED |
|           |      |             |      |          |



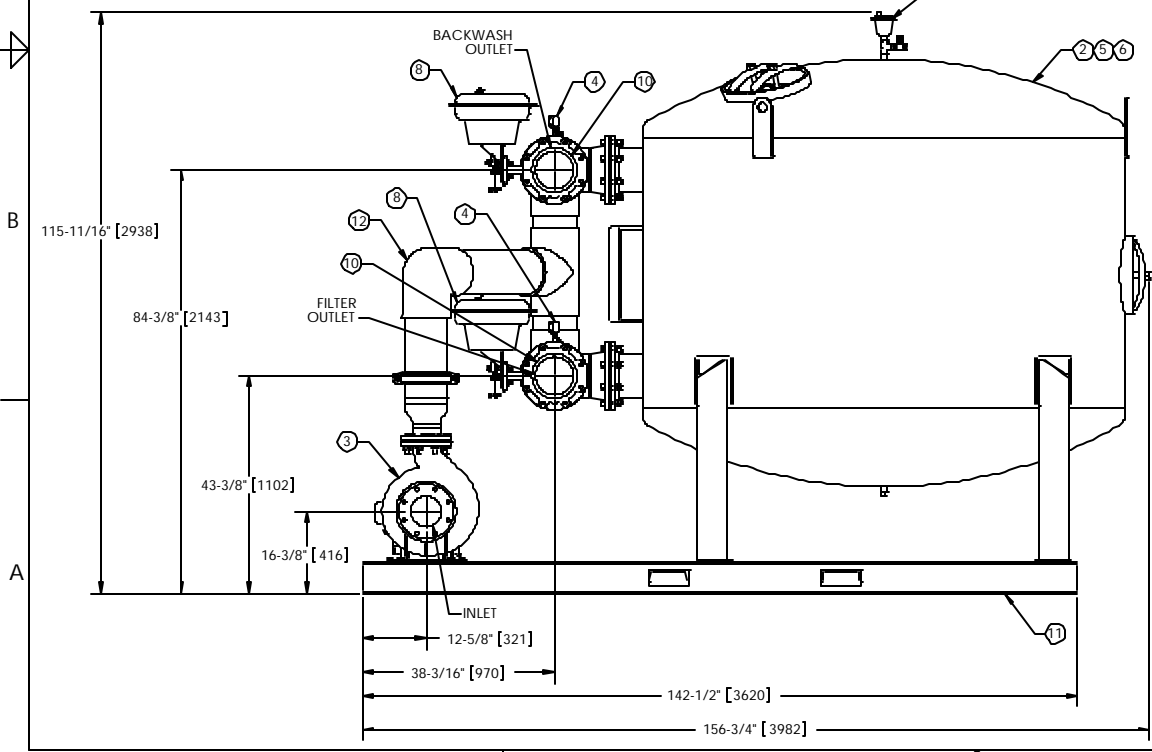
**DETAIL A**  
SCALE 1:8

**NOTES:**

1. INLET IS 6" PIPE (ANSI FLANGE).
2. OUTLET IS 8" PIPE (150# ANSI FLANGE).
3. BACKWASH IS 8" PIPE (150# ANSI FLANGE).
4. MAXIMUM PRESSURE 50psi (3.4 bar).
5. MAXIMUM OPERATING TEMPERATURE: 100°F (37.8°C).
6. SPECIFIED FLOWRATE OF 1006 gpm (228 m³/hr).
7. SPECIFIED BACKWASH FLOWRATE OF 754 gpm (171 m³/hr).
8. FINISH: AS ASSEMBLED.
9. POWER REQUIREMENT: 460V, 3PH, 60HZ.
10. UL LISTED NEMA 4X MOTOR STARTER ENCLOSURE WITH SAFETY DISCONNECT, H.O.A. SWITCH, 24 HR BACKWASH TIMER, AND BACKWASH CYCLE TIMER.
11. APPROXIMATE DRY WEIGHT (NOT INCLUDING GRAVEL/SAND): 6034 lbs (2737 kg).
12. MINIMUM PIPE SIZE TO CTS SYSTEM IS 8" PIPE.
13. FLOODED SUCTION REQUIRED.

**COMPONENT LIST:**

- 1 ELECTRICAL CONTROL BOX 460V 60HZ W/120V TRANSFORMER.
- 2 MEDIA TANK: 96" CARBON STEEL.
- 3 PUMP: 20 HP CENTRIFUGAL, 1750 rpm, TEFC, 460V, 60HZ, CAST IRON.
- 4 INLET/OUTLET PRESSURE GAUGES: 0-100 psi, GLYCERIN-FILLED.
- 5 MEDIA: 10 MICRON AT 95% EFFICIENCY - STANDARD  
5 MICRON AT 90% EFFICIENCY - OPTIONAL
- 6 UNDERDRAIN: S/80 PVC HEADER, S/40 SLOTTED PVC PIPE.
- 7 AIR RELIEF VALVE: 3/4" CAST IRON AUTOVENT W/MANUAL VALVE.
- 8 PNEUMATIC ACTUATOR: CAST IRON BODY, NEOPRENE DIAPHRAGM.  
REQUIRED AIR PRESSURE FOR OPERATION: 15 psi (1.0 bar).
- 9 AIR REGULATOR & FILTER: 22 scfm (33 m³/hr) MAXIMUM AIRFLOW.
- 10 BUTTERFLY VALVE: CAST IRON BODY, EPDM SEATS.
- 11 CARBON STEEL SKID.
- 12 CARBON STEEL MANIFOLD PIPING.



**SUBMITTAL DRAWING**

This drawing is submitted for spatial consideration only. Do not pre-plumb to these dimensions.

|                                                                                                                                                                 |                                    |          |                                                                             |                           |
|-----------------------------------------------------------------------------------------------------------------------------------------------------------------|------------------------------------|----------|-----------------------------------------------------------------------------|---------------------------|
| UNLESS OTHERWISE SPECIFIED, DIMENSIONS ARE IN: INCHES (mm) TOLERANCES ARE:<br>FRACTIONS DECIMALS ANGLES<br>± .1" .05 ± .01 ± .14°<br>XXX ± .005<br>XXXX ± .0005 | ENGINEERED FOR:<br><b>STANDARD</b> |          | <b>LAKOS</b> CLAUDE LAVAL CORP.<br>12590, CALIFORNIA 91727<br>WWW.LAKOS.COM | LAKOS UNDERGROUND SURVEYS |
|                                                                                                                                                                 | APPROVALS                          | DATE     |                                                                             |                           |
| DO NOT SCALE DRAWING                                                                                                                                            | DRAWN: JBI                         | 12/19/07 | TITLE: CTS-96-1006-A-S, CS MEDIA SYSTEM, SYSTEM BW, AUTO, 3/60/460V         |                           |
| MATERIAL: PER LAKOS SPEC                                                                                                                                        | ENGR: -                            | -        | SCALE: 1:18                                                                 | 1                         |
| FINISH: AS ASSEMBLED                                                                                                                                            | WDR: -                             | -        | MODEL NO.:                                                                  | 128879                    |
|                                                                                                                                                                 | QTY:                               |          | WT: 6011 lb                                                                 | SHEET 1 OF 1              |

128879 REV 01