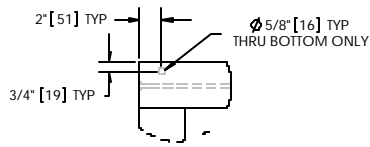
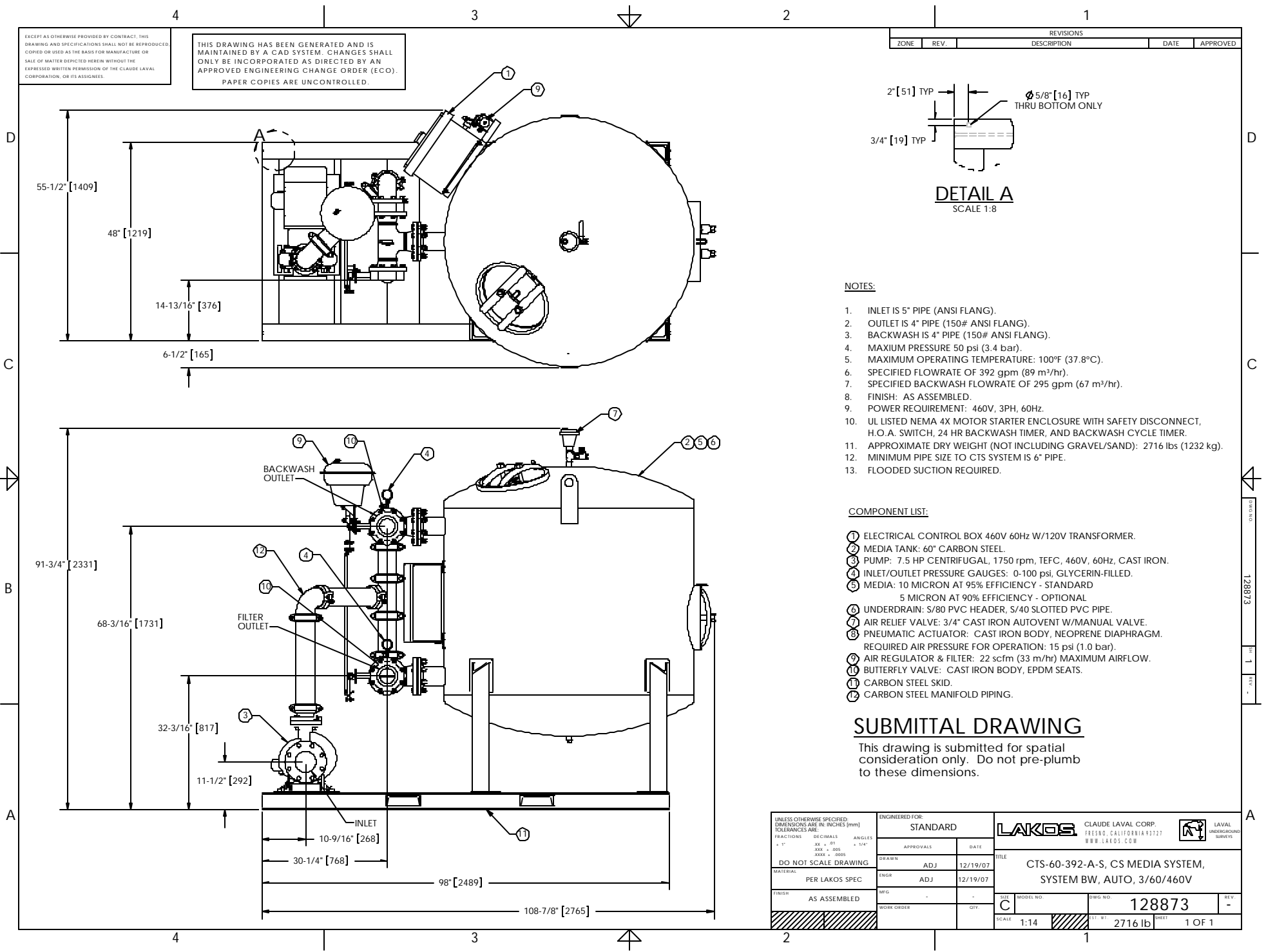


EXCEPT AS OTHERWISE PROVIDED BY CONTRACT, THIS DRAWING AND SPECIFICATIONS SHALL NOT BE REPRODUCED, COPIED OR USED AS THE BASIS FOR MANUFACTURE OR SALE OF MATTER DEPICTED HEREIN WITHOUT THE EXPRESSED WRITTEN PERMISSION OF THE CLAUDE LAVAL CORPORATION, OR ITS ASSIGNEES.

THIS DRAWING HAS BEEN GENERATED AND IS MAINTAINED BY A CAD SYSTEM. CHANGES SHALL ONLY BE INCORPORATED AS DIRECTED BY AN APPROVED ENGINEERING CHANGE ORDER (ECO). PAPER COPIES ARE UNCONTROLLED.

REVISIONS				
ZONE	REV.	DESCRIPTION	DATE	APPROVED



DETAIL A
SCALE 1:8

NOTES:

1. INLET IS 5" PIPE (ANSI FLANG).
2. OUTLET IS 4" PIPE (150# ANSI FLANG).
3. BACKWASH IS 4" PIPE (150# ANSI FLANG).
4. MAXIMUM PRESSURE 50 psi (3.4 bar).
5. MAXIMUM OPERATING TEMPERATURE: 100°F (37.8°C).
6. SPECIFIED FLOWRATE OF 392 gpm (89 m³/hr).
7. SPECIFIED BACKWASH FLOWRATE OF 295 gpm (67 m³/hr).
8. FINISH: AS ASSEMBLED.
9. POWER REQUIREMENT: 460V, 3PH, 60HZ.
10. UL LISTED NEMA 4X MOTOR STARTER ENCLOSURE WITH SAFETY DISCONNECT, H.O.A. SWITCH, 24 HR BACKWASH TIMER, AND BACKWASH CYCLE TIMER.
11. APPROXIMATE DRY WEIGHT (NOT INCLUDING GRAVEL/SAND): 2716 lbs (1232 kg).
12. MINIMUM PIPE SIZE TO CTS SYSTEM IS 6" PIPE.
13. FLOODED SUCTION REQUIRED.

COMPONENT LIST:

- 1 ELECTRICAL CONTROL BOX 460V 60HZ W/120V TRANSFORMER.
- 2 MEDIA TANK: 60" CARBON STEEL.
- 3 PUMP: 7.5 HP CENTRIFUGAL, 1750 rpm, TEFC, 460V, 60HZ, CAST IRON.
- 4 INLET/OUTLET PRESSURE GAUGES: 0-100 psi, GLYCERIN-FILLED.
- 5 MEDIA: 10 MICRON AT 95% EFFICIENCY - STANDARD
5 MICRON AT 90% EFFICIENCY - OPTIONAL
- 6 UNDERDRAIN: S/80 PVC HEADER, S/40 SLOTTED PVC PIPE.
- 7 AIR RELIEF VALVE: 3/4" CAST IRON AUTOVENT W/MANUAL VALVE.
- 8 PNEUMATIC ACTUATOR: CAST IRON BODY, NEOPRENE DIAPHRAGM.
REQUIRED AIR PRESSURE FOR OPERATION: 15 psi (1.0 bar).
- 9 AIR REGULATOR & FILTER: 22 scfm (33 m³/hr) MAXIMUM AIRFLOW.
- 10 BUTTERFLY VALVE: CAST IRON BODY, EPDM SEATS.
- 11 CARBON STEEL SKID.
- 12 CARBON STEEL MANIFOLD PIPING.

SUBMITTAL DRAWING

This drawing is submitted for spatial consideration only. Do not pre-plumb to these dimensions.

UNLESS OTHERWISE SPECIFIED, DIMENSIONS ARE IN: INCHES (mm) TOLERANCES ARE: FRACTIONS DECIMALS ANGLES ± .1" .05 ± .01 ± .14" XXX ± .005 XXXX ± .0005	ENGINEERED FOR: STANDARD		LAKOS CLAUDE LAVAL CORP. 12590, CALIFORNIA 91717 WWW.LAKOS.COM	LAVL UNDERGROUND SURVEYS
	APPROVALS	DATE		
DO NOT SCALE DRAWING	DRAWN ADJ	12/19/07	TITLE CTS-60-392-A-S, CS MEDIA SYSTEM, SYSTEM BW, AUTO, 3/60/460V	
MATERIAL PER LAKOS SPEC	ENGR ADJ	12/19/07	SCALE 1:14	REV. -
FINISH AS ASSEMBLED	MFG.	-	QTY.	-
WORK ORDER			DATE 2716 lb	SHEET 1 OF 1

DRAWING 128873

A