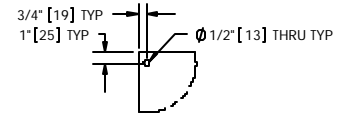


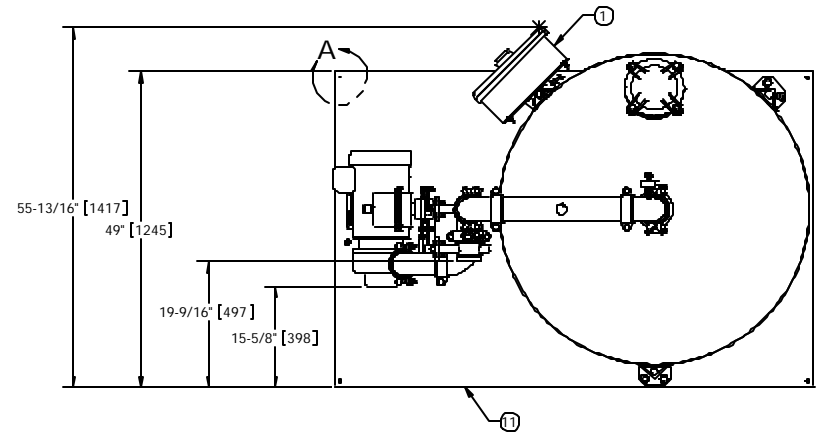
EXCEPT AS OTHERWISE PROVIDED BY CONTRACT, THIS DRAWING AND SPECIFICATIONS SHALL NOT BE REPRODUCED, COPIED OR USED AS THE BASIS FOR MANUFACTURE OR SALE OF MATTER DEVICES HEREIN WITHOUT THE EXPRESSED WRITTEN PERMISSION OF THE CLAUDE LAVAL CORPORATION, OR ITS ASSIGNEES.

THIS DRAWING HAS BEEN GENERATED AND IS MAINTAINED BY A CAD SYSTEM. CHANGES SHALL ONLY BE INCORPORATED AS DIRECTED BY AN APPROVED ENGINEERING CHANGE ORDER (ECO). PAPER COPIES ARE UNCONTROLLED.

REVISIONS				
ZONE	REV.	DESCRIPTION	DATE	APPROVED



DETAIL A
SCALE 1:8

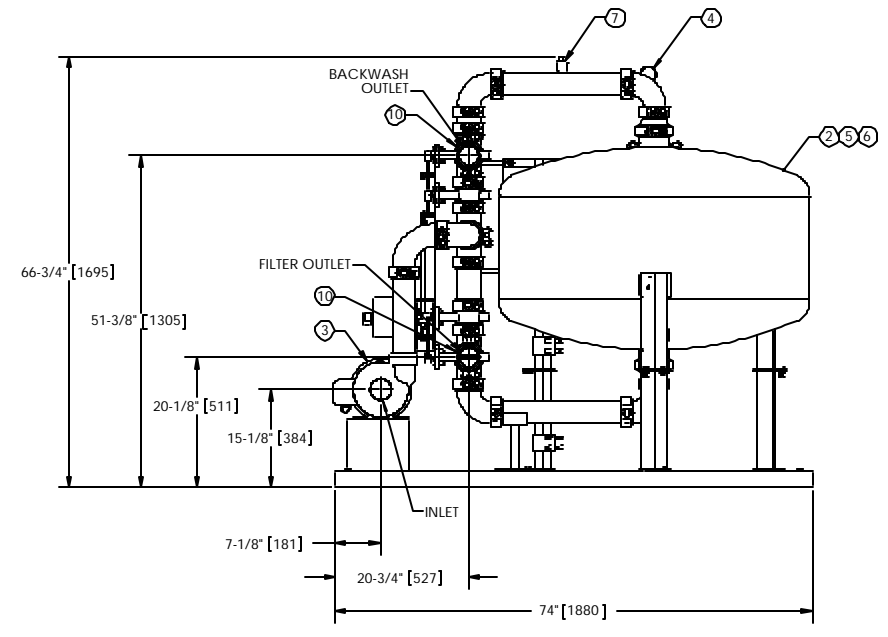


NOTES:

1. INLET IS 3" PIPE (NPT).
2. OUTLET IS 3" GROOVED PIPE.
3. BACKWASH IS 3" GROOVED PIPE.
4. MAXIMUM PRESSURE 80 psi (5.5 bar).
5. MAXIMUM OPERATING TEMPERATURE: 120°F (48.8°C).
6. SPECIFIED FLOWRATE OF 252 gpm (57 m³/hr).
7. SPECIFIED BACKWASH FLOWRATE OF 188 gpm (53 m³/hr).
8. FINISH: AS ASSEMBLED.
9. POWER REQUIREMENT: 460V, 3PH, 60Hz.
10. UL LISTED NEMA 4X MOTOR STARTER ENCLOSURE WITH SAFETY DISCONNECT, H.O.A. SWITCH, 24 HR BACKWASH TIMER, AND BACKWASH CYCLE TIMER.
11. APPROXIMATE DRY WEIGHT (NOT INCLUDING GRAVEL/SAND): 906 lbs (411 kg).
12. MINIMUM PIPE SIZE TO CTS SYSTEM IS 4" PIPE.
13. FLOODED SUCTION REQUIRED.

COMPONENT LIST:

- ① ELECTRICAL CONTROL BOX 460V 60Hz W/120V TRANSFORMER.
- ② MEDIA TANK: 48" CARBON STEEL.
- ③ PUMP: 5 HP CENTRIFUGAL, 3500 rpm, TEFC, 460V, 60Hz, CAST IRON.
- ④ INLET/OUTLET PRESSURE GAUGES: 0-100 psi, GLYCERIN-FILLED.
- ⑤ MEDIA: 10 MICRON AT 95% EFFICIENCY - STANDARD
5 MICRON AT 90% EFFICIENCY - OPTIONAL
- ⑥ UNDERDRAIN: S/80 PVC HEADER, S/40 SLOTTED PVC PIPE.
- ⑦ AIR RELIEF VALVE: 1/4" BRONZE AUTOVENT.
- ⑧ ELECTRICAL VALVE ACTUATOR.
- ⑨ BUTTERFLY VALVE: CAST IRON BODY, EPDM SEATS.
- ⑩ 304L STAINLESS STEEL SKID.



SUBMITTAL DRAWING

This drawing is submitted for spatial consideration only. Do not pre-plumb to these dimensions.

UNLESS OTHERWISE SPECIFIED, DIMENSIONS ARE IN: INCHES (mm) TOLERANCES ARE: FRACTIONS DECIMALS ANGLES ± .1" .05 ± .01 ± .14" XXX ± .005 XXX ± .0005	ENGINEERED FOR: STANDARD		LAKOS CLAUDE LAVAL CORP. 18250, CALIFORNIA 91727 WWW.LAKOS.COM		LAKOS LAVAL UNDERGROUND SURVEYS
	APPROVALS	DATE	TITLE		
DO NOT SCALE DRAWING	DRAWN JBI	12/18/07	CTS-48-252-A-S, CS MEDIA SYSTEM SYSTEM BW, AUTO, 3/60/460V		
MATERIAL PER LAKOS SPEC	ENG'G	-	SHEET C MODEL NO. DWG NO. 128871		
FINISH AS ASSEMBLED	SPG.	-	SHEET 111 WT 906 lb SHEET 1 OF 1		
WORK ORDER	QTY.	-	SCALE 1:14		

128871 Rev 01