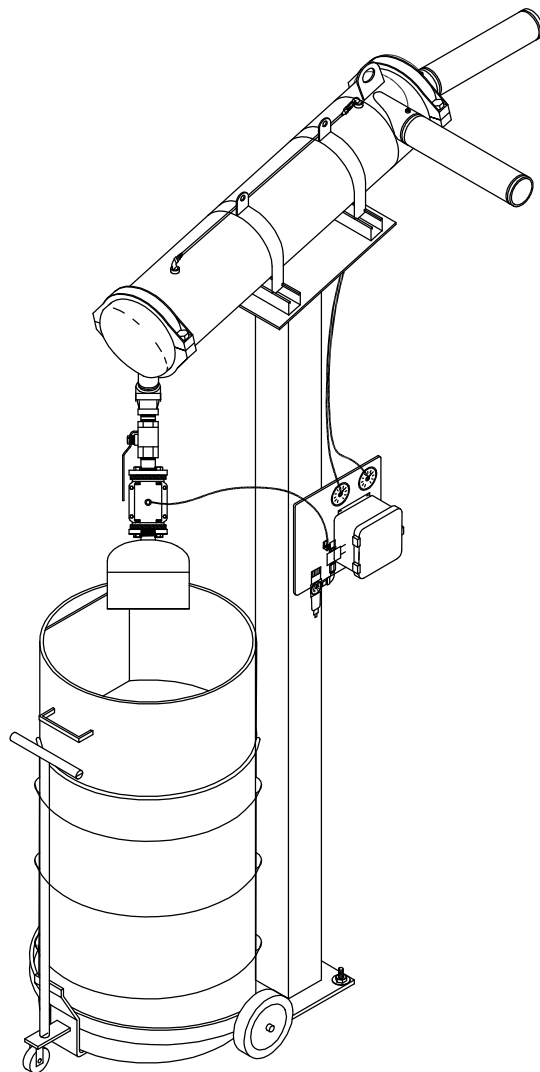




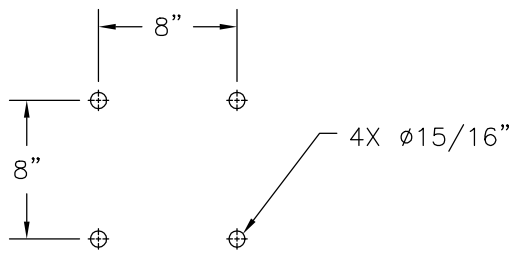
# PRX PREP SYSTEM SET-UP INSTRUCTIONS

MODEL: PRX-0004, PRX-0010, PRX-0016, PRX-0028 PRX-1138,  
PRX-0060, PRX-0085, PRX-0130 & PRX-0200



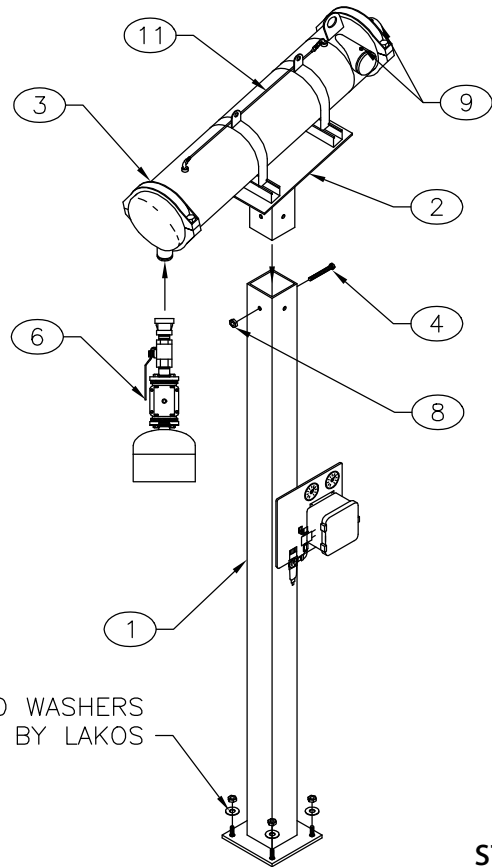
NOTES:

1. INSTALL LAG BOLTS PER YOUR LOCAL BUILDING CODES.
2. BOLT STAND (ITEM 1) TO GROUND.
3. INSTALL VORTUBE KIT (ITEM 11) ONTO SEPARATOR (ITEM 3).
4. INSTALL ELBOWS (ITEM 9) INTO INLET AND OUTLET GAUGE PORTS OF SEPARATOR (ITEM 3).
5. INSERT TOP MOUNT ASSY/SEPARATOR (ITEM 2,3) INTO TOP OF STAND (ITEM 1) AND BOLT TOGETHER WITH BOLT (ITEM 4) AND NUT (ITEM 8), TIGHTEN.
6. INSTALL PURGE SYSTEM (ITEM 6) ON PURGE OUTLET OF SEPARATOR (RPV SHOWN).



BASE PLATE HOLE PATTERN

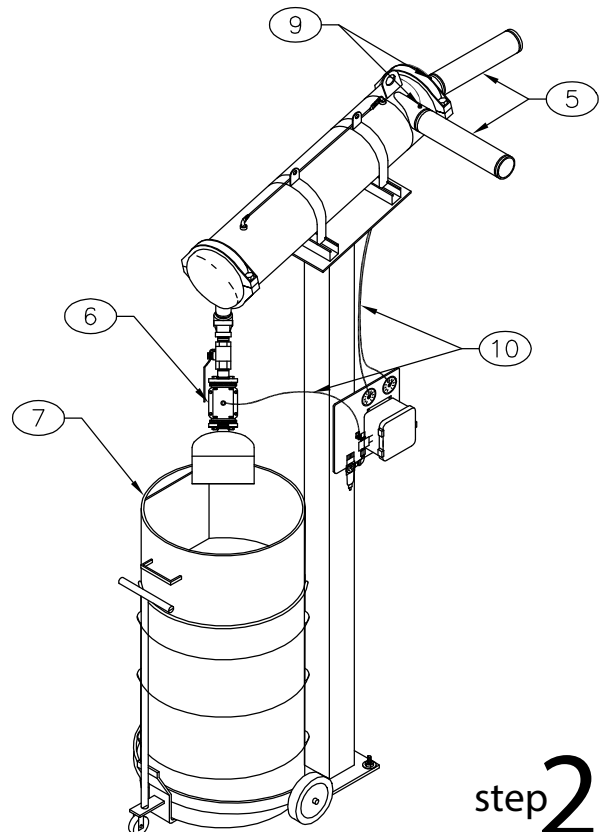
NUTS, BOLTS AND WASHERS ARE NOT PROVIDED BY LAKOS



step 1

NOTES:

1. INSTALL GROOVED SPOOLS (ITEM 5) USING GROOVED COUPLINGS PROVIDED.
2. INSTALL TUBING (ITEM 10) FROM ELBOWS (ITEM 9) ON GAUGE PORTS OF SEPARATOR TO GAUGES MOUNTED ON PREP STAND (ITEM 1).
3. INSTALL TUBING (ITEM 10) AT ELBOW ON PNEUMATIC CONTROLLER AND TO PURGE SYSTEM (ITEM 6).
4. PLACE COLLECTION/DECANT SYSTEM (ITEM 7) UNDER PURGE SYSTEM (DRUM DECANT SYSTEM SHOWN).
5. INSTALL INLET AND OUTLET PIPING AS NEEDED WITH GROOVED COUPLINGS PROVIDED.
6. REFER TO THE APPROPRIATE BROCHURES FOR ELEC./PNEU. CONNECTIONS.



step 2