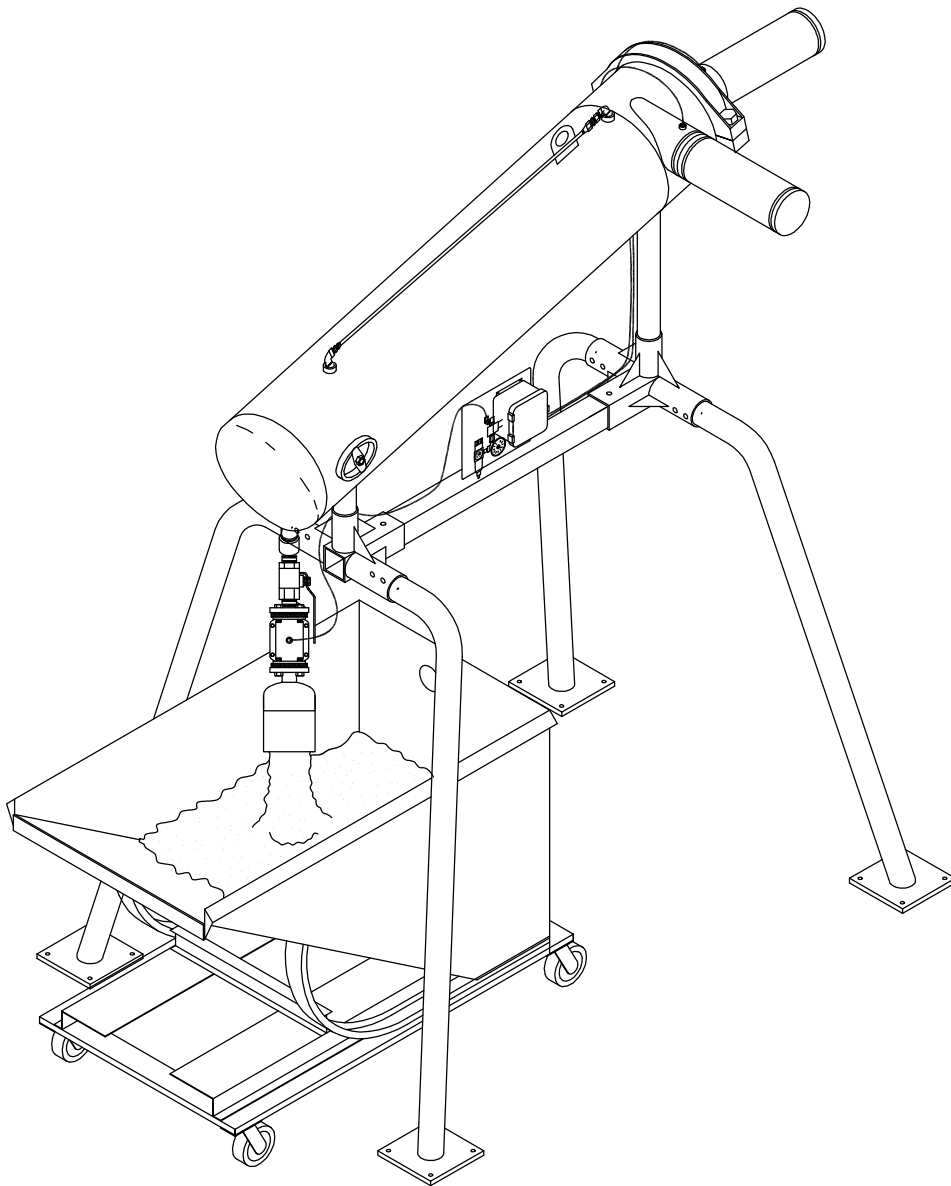




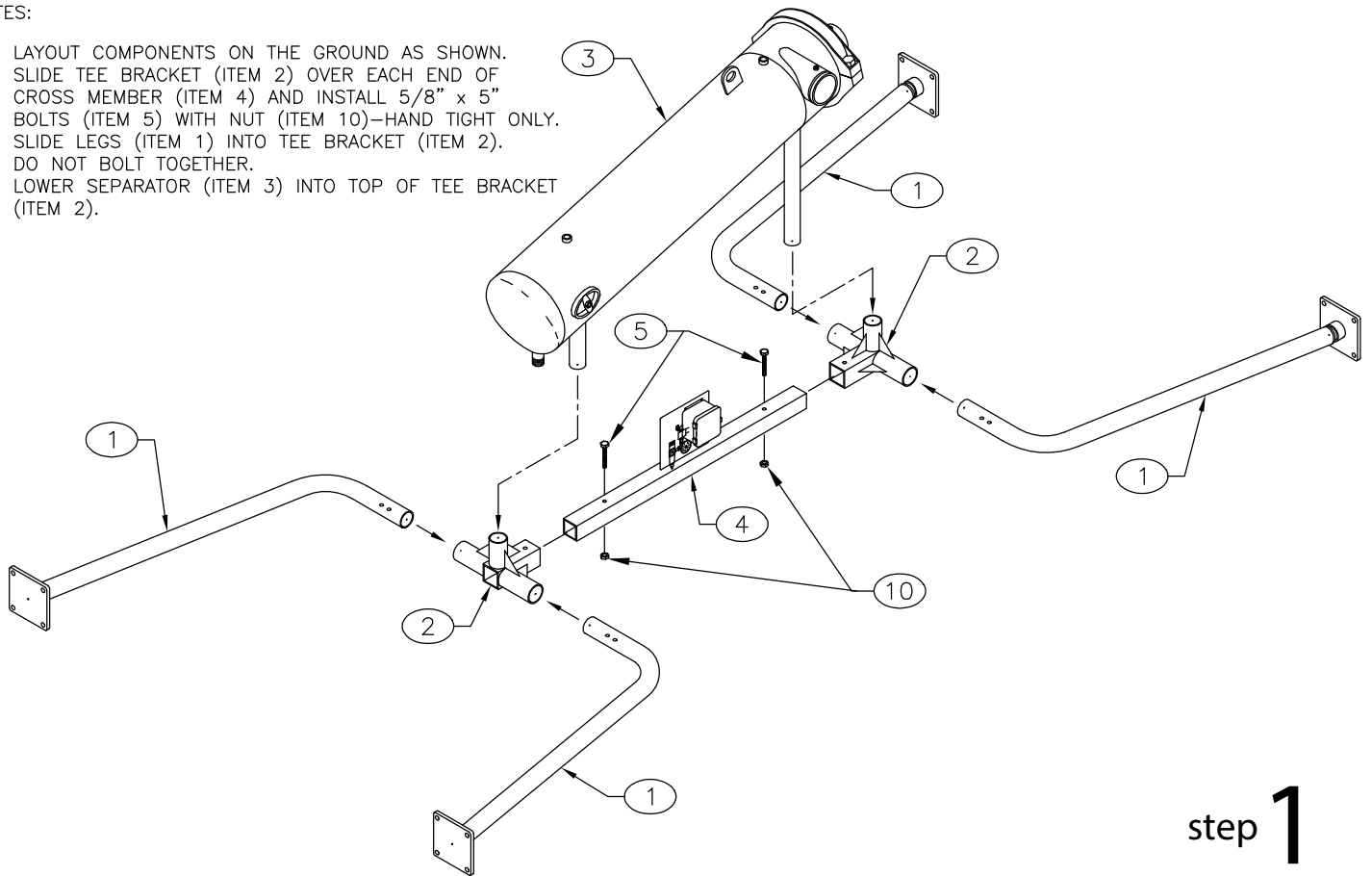
# PRX PREP SYSTEM SET-UP INSTRUCTIONS

MODEL: PRX-0285, PRX-0450, PRX-0650 & PRX-1160



NOTES:

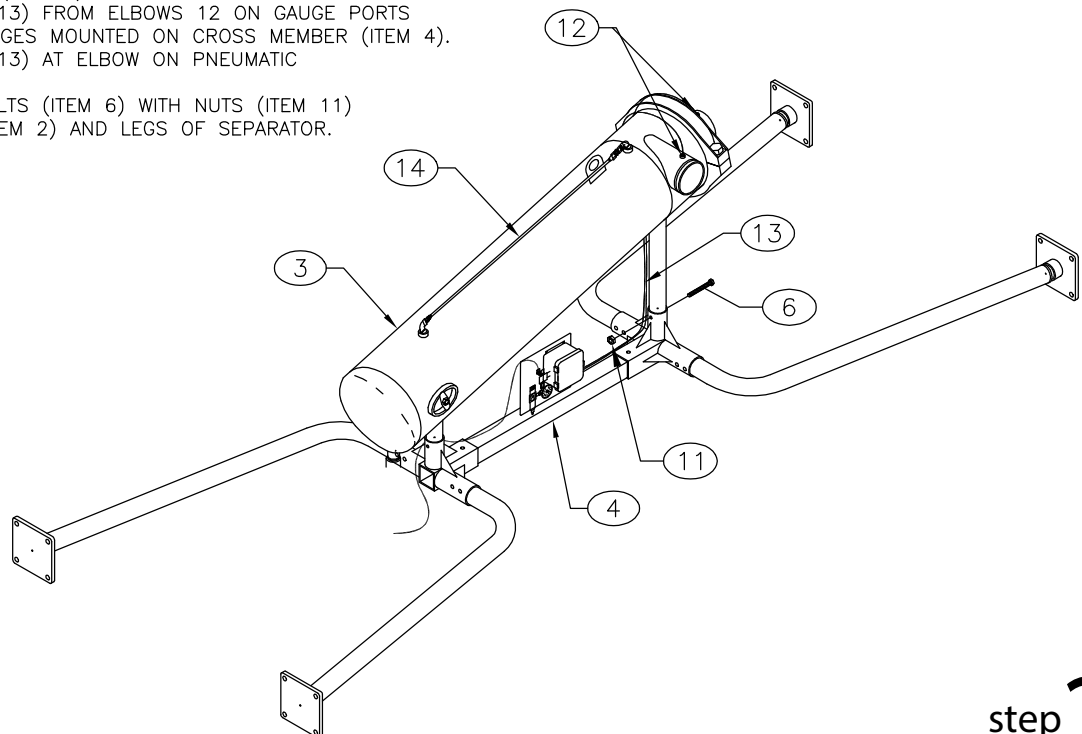
1. LAYOUT COMPONENTS ON THE GROUND AS SHOWN.
2. SLIDE TEE BRACKET (ITEM 2) OVER EACH END OF CROSS MEMBER (ITEM 4) AND INSTALL 5/8" x 5" BOLTS (ITEM 5) WITH NUT (ITEM 10)—HAND TIGHT ONLY.
3. SLIDE LEGS (ITEM 1) INTO TEE BRACKET (ITEM 2). DO NOT BOLT TOGETHER.
4. LOWER SEPARATOR (ITEM 3) INTO TOP OF TEE BRACKET (ITEM 2).



step 1

NOTES:

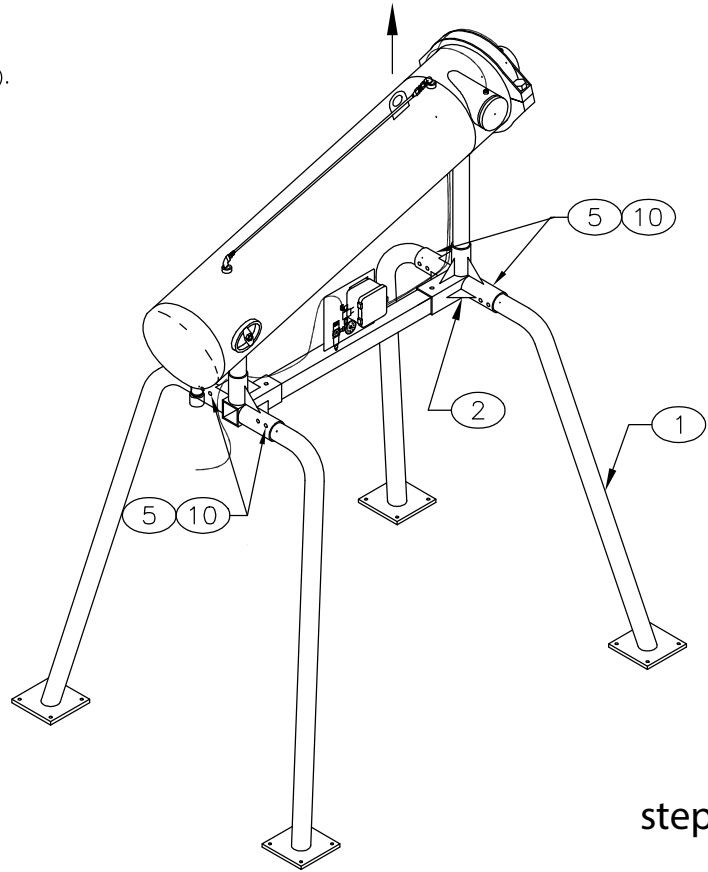
1. INSTALL VORTUBE KIT (ITEM 14) ONTO SEPARATOR (ITEM 3).
2. INSTALL ELBOWS (ITEM 12) INTO INLET AND OUTLET GAUGE PORTS OF SEPARATOR (ITEM 3).
3. INSTALL TUBING (ITEM 13) FROM ELBOWS 12 ON GAUGE PORTS OF SEPARATOR TO GAUGES MOUNTED ON CROSS MEMBER (ITEM 4).
4. INSTALL TUBING (ITEM 13) AT ELBOW ON PNEUMATIC CONTROLLER.
5. INSTALL 1/2" x 4" BOLTS (ITEM 6) WITH NUTS (ITEM 11) THRU TEE BRACKET (ITEM 2) AND LEGS OF SEPARATOR.



step 2

NOTES:

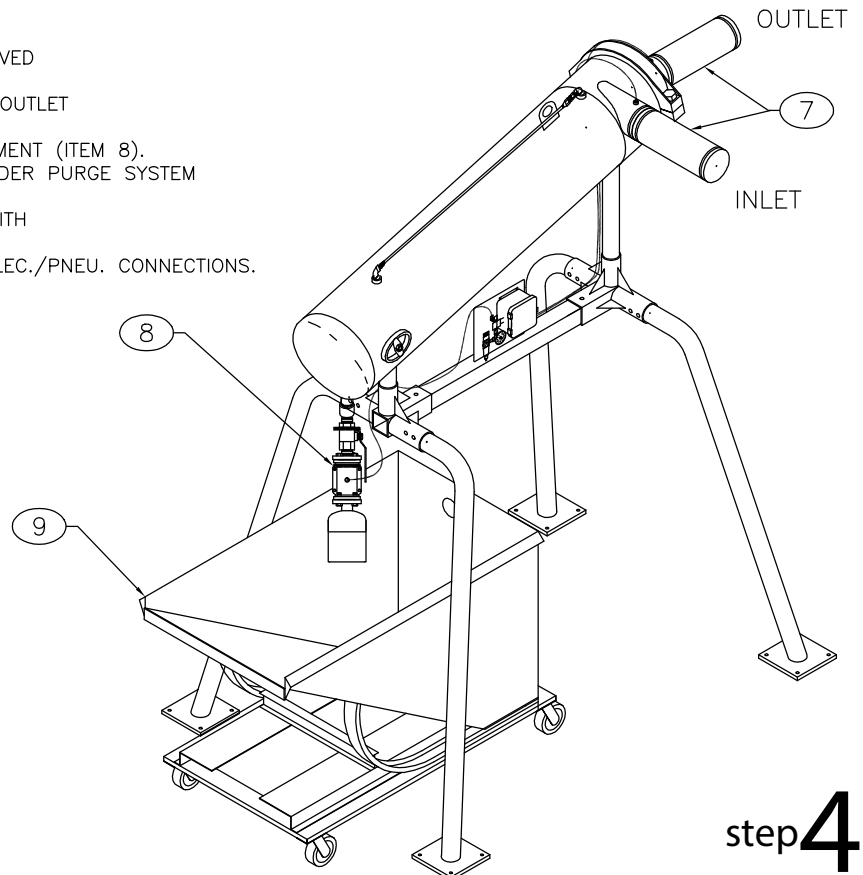
1. LIFT UNIT UP BY THE LIFTING LUG ON SEPARATOR UNTIL THE BOLT HOLES IN THE LEGS ARE ALIGNED WITH THE HOLES IN THE TEE BRACKET (ITEM 2).
2. INSTALL 5/8" x 5" BOLTS (ITEM 5) WITH NUTS (ITEM 10) THRU TEE BRACKET AND LEGS.
3. TIGHTEN ALL BOLTS/NUTS PRIOR TO REMOVING HOIST.
4. SECURE FOOT PADS AT LEGS TO FOUNDATION.



step **3**

NOTES:

1. INSTALL GROOVED SPOOLS (ITEM 7) USING GROOVED COUPLINGS PROVIDED.
2. INSTALL PURGE EQUIPMENT (ITEM 8) ON PURGE OUTLET OF SEPARATOR.
3. INSTALL TUBING FROM GAUGES TO PURGE EQUIPMENT (ITEM 8).
4. PLACE COLLECTION/DECANT SYSTEM (ITEM 9) UNDER PURGE SYSTEM (1 YARD HOPPER SHOWN).
5. INSTALL INLET AND OUTLET PIPING AS NEEDED WITH GROOVED COUPLINGS PROVIDED.
6. REFER TO THE APPROPRIATE BROCHURES FOR ELEC./PNEU. CONNECTIONS.



step **4**