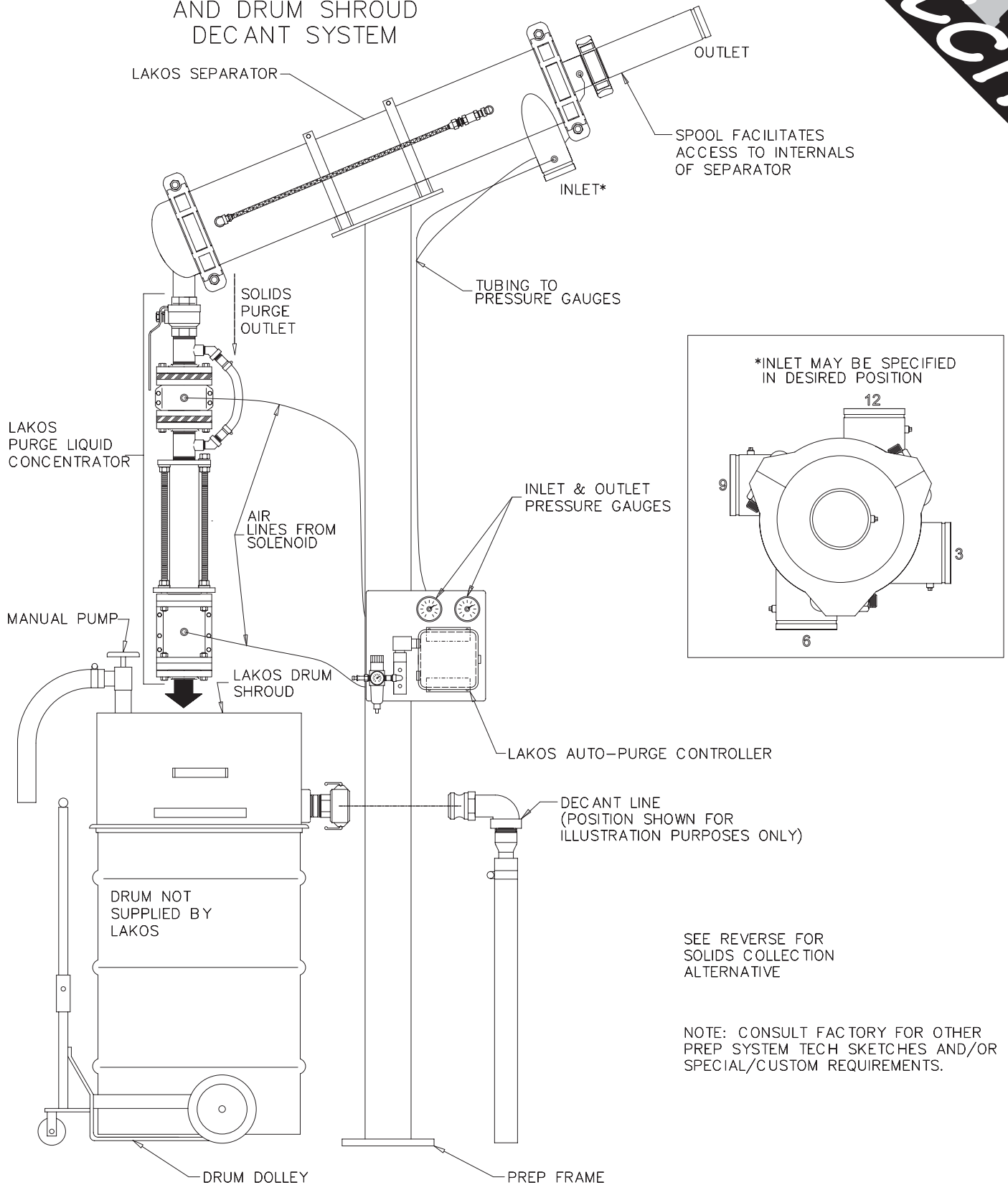


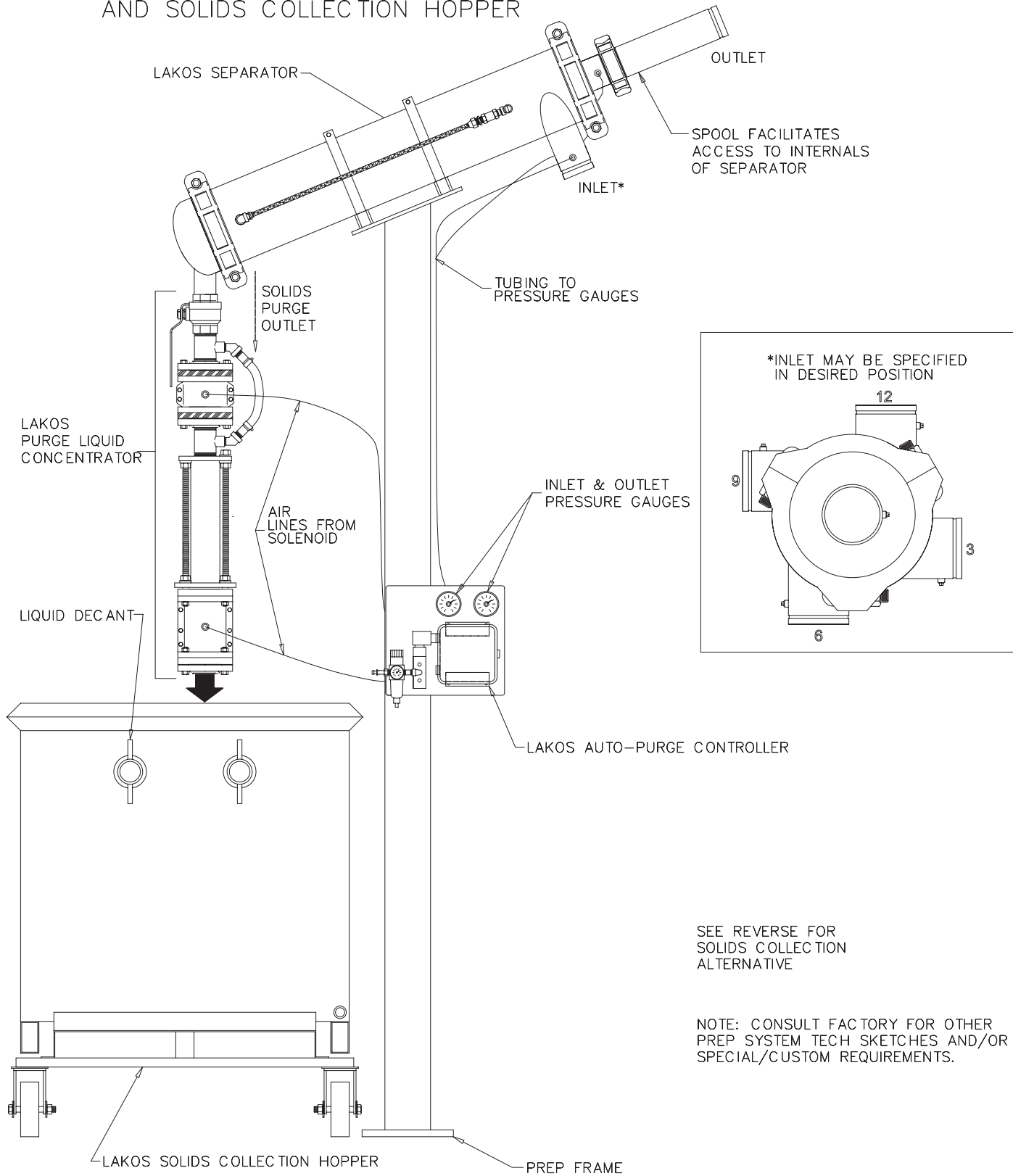
LAKOS PREP SYSTEM

LOW-FLOW JPX SEPARATOR WITH
PURGE LIQUID CONCENTRATOR
AND DRUM SHROUD
DECANT SYSTEM



LAKOS PREP SYSTEM

LOW-FLOW JPX SEPARATOR WITH
PURGE LIQUID CONCENTRATOR
AND SOLIDS COLLECTION HOPPER



SEE REVERSE FOR
SOLIDS COLLECTION
ALTERNATIVE

NOTE: CONSULT FACTORY FOR OTHER
PREP SYSTEM TECH SKETCHES AND/OR
SPECIAL/CUSTOM REQUIREMENTS.