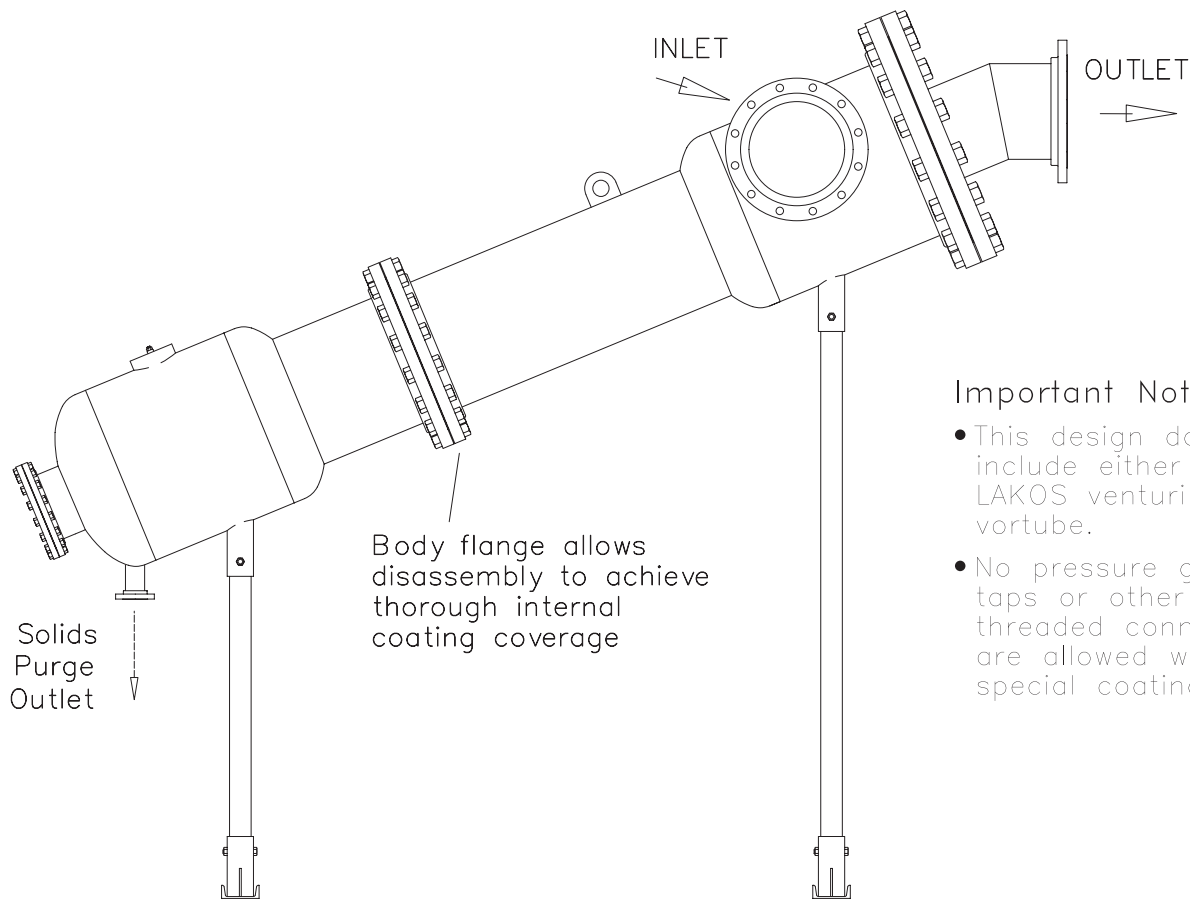


LAKOS SEPARATORS FOR SPECIAL COATINGS

Required Separator Design For Proper
Internal Coating Coverage



Important Notes:

- This design does not include either the LAKOS venturi or vortube.
- No pressure gauge taps or other threaded connections are allowed with special coatings.

