

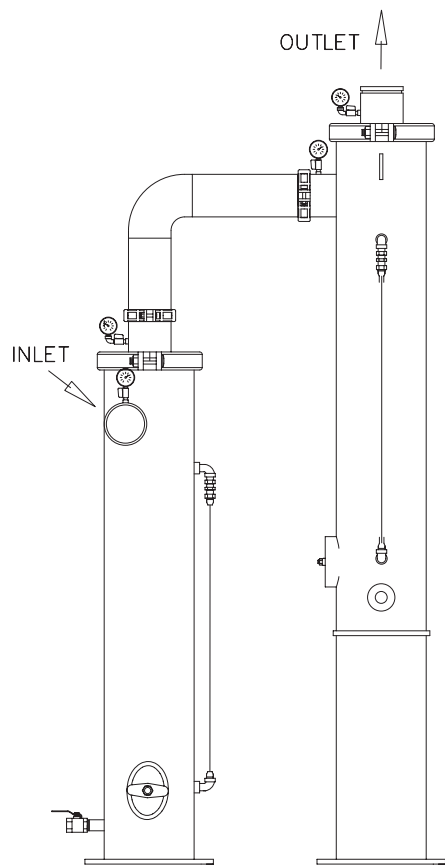
LAKOS TWO-STAGE SEPARATORS

Sample Configurations

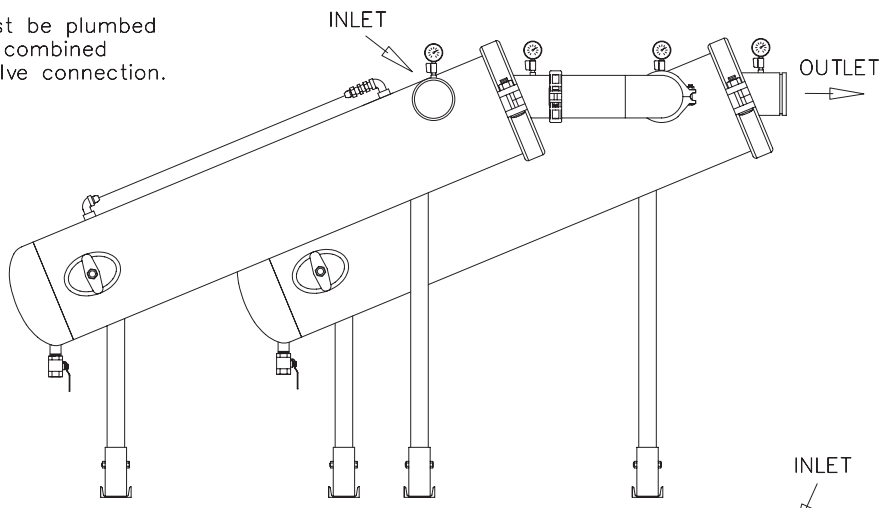
For the removal of finer solids.
For handling excessive solids loads.

Note: Virtually all LAKOS Separators can be assembled in a two-stage configuration.

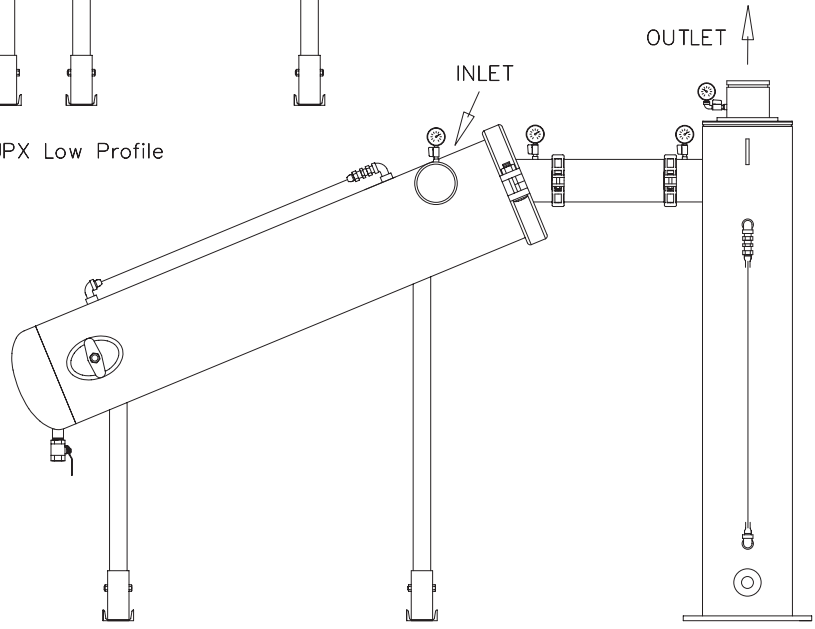
Important: Purge outlets must be plumbed separately. May be combined only after purge valve connection.



JPX Vertical Profile



JPX Low Profile



JPX Low Profile w/ JPL Vertical Profile