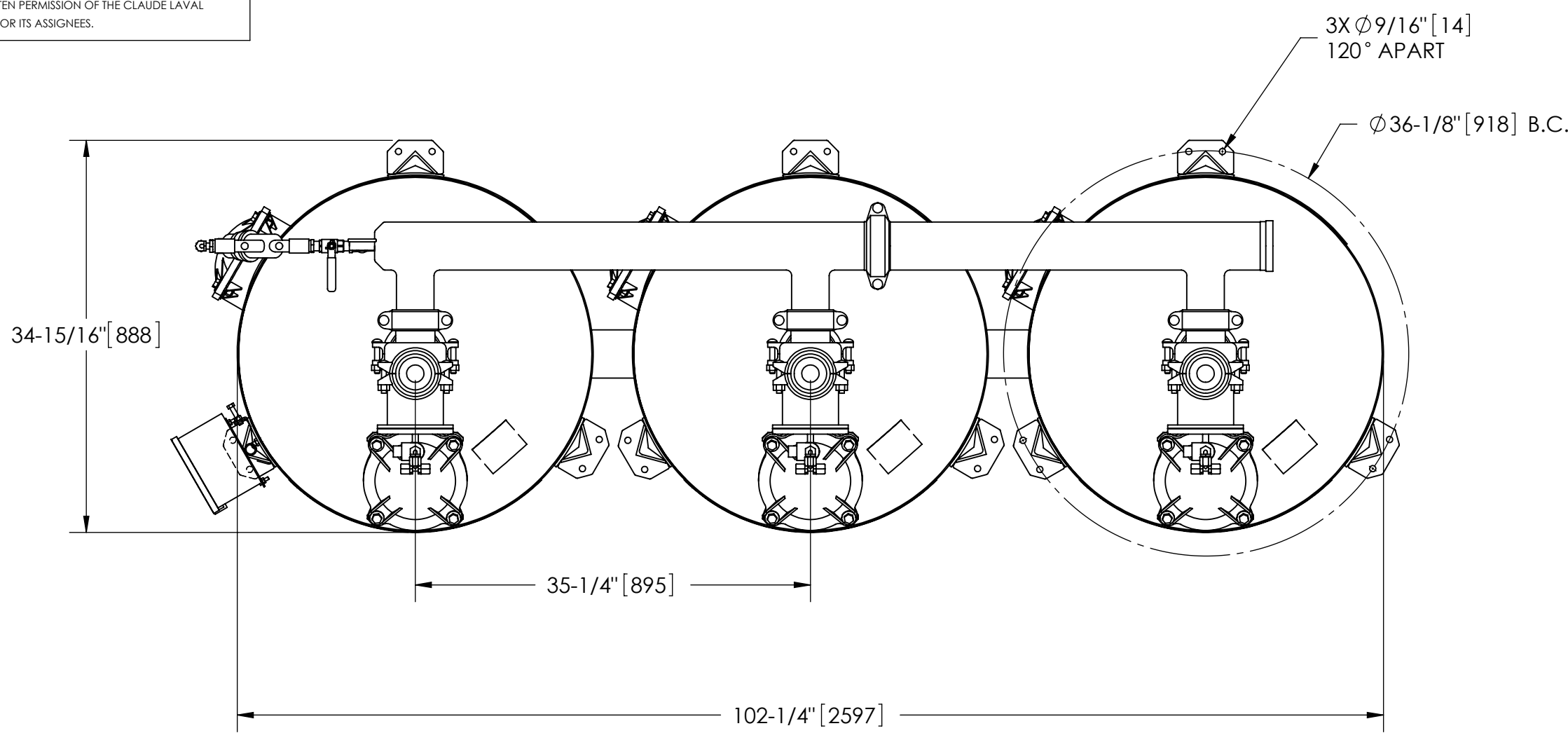


EXCEPT AS OTHERWISE PROVIDED BY CONTRACT, THIS DRAWING AND SPECIFICATIONS SHALL NOT BE REPRODUCED, COPIED OR USED AS THE BASIS FOR MANUFACTURE OR SALE OF MATTER DEPICTED HEREIN WITHOUT THE EXPRESSED WRITTEN PERMISSION OF THE CLAUDE LAVAL CORPORATION, OR ITS ASSIGNEES.

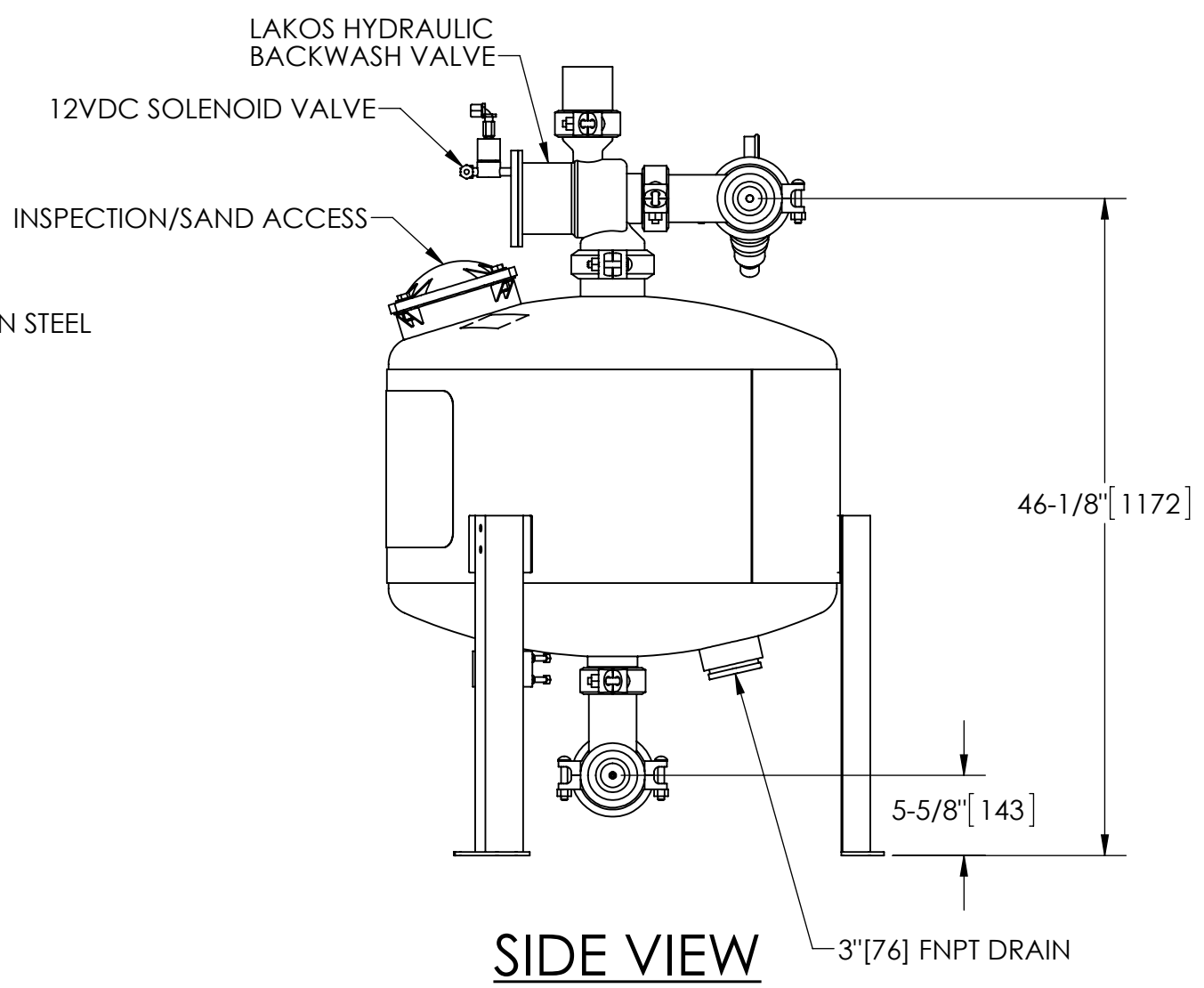
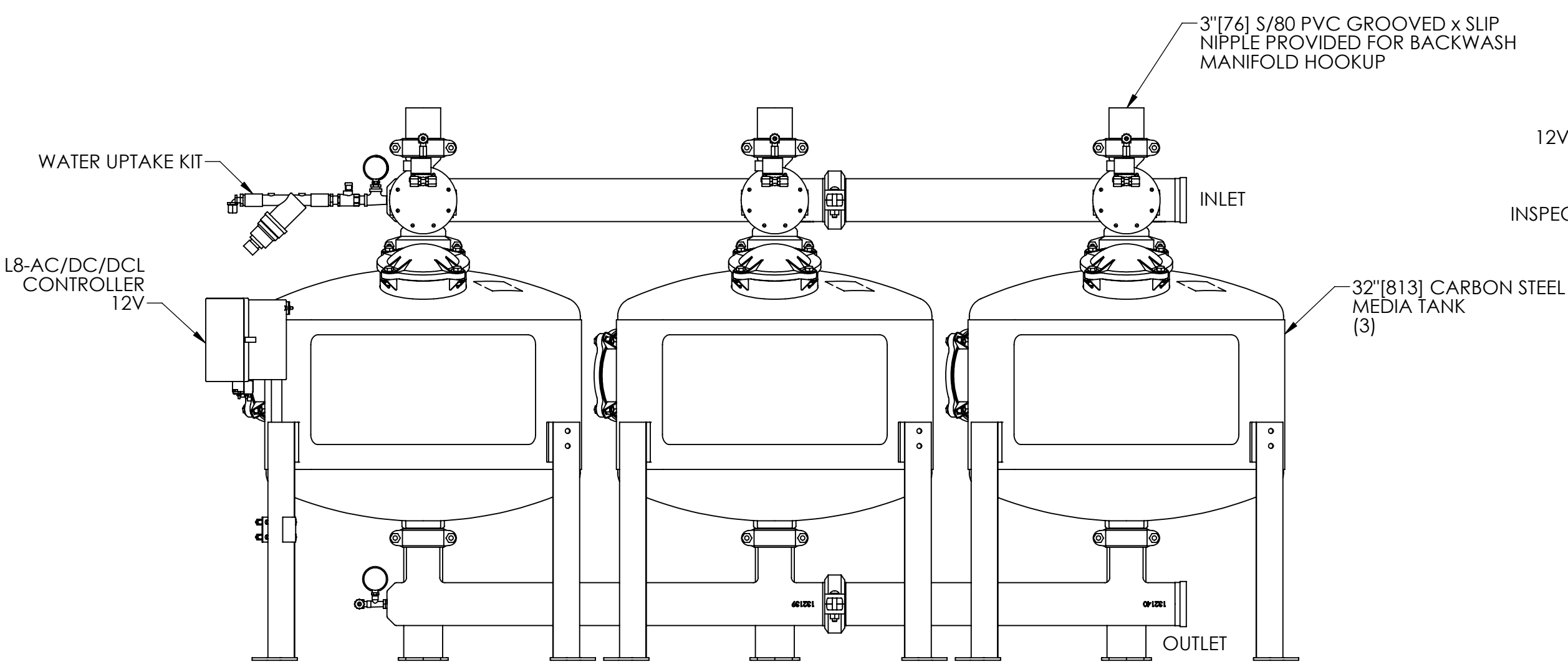
REVISIONS				
ECN	REV.	DESCRIPTION	DATE	APPROVED

THIS DRAWING HAS BEEN GENERATED AND IS MAINTAINED BY A CAD SYSTEM. CHANGES SHALL ONLY BE INCORPORATED AS DIRECTED BY AN APPROVED ENGINEERING CHANGE ORDER (ECO). PAPER COPIES ARE UNCONTROLLED.



NOTES:

1. INLET & OUTLET ARE 14" GROOVED PIPE.
2. MAXIMUM PRESSURE: 125 psi (8.6 bar).
3. MAXIMUM TEMPERATURE: 100°F (37.8°C).
4. RATED FLOWRATE: 240-405 gpm (54-92 m³/hr).
5. FILTRATION AREA: 16.2 ft² (1.51 m²).
6. MEDIA SAND REQUIREMENT: 2900 lbs (953 kg).
7. SYSTEM WEIGHT (WITHOUT SAND): 827 lbs (375 kg).
8. SYSTEM COMPONENTS SHIPPED LOOSE. FINAL ASSEMBLY BY OTHERS.



SUBMITTAL DRAWING
 This drawing is submitted for spatial consideration only. Do not pre-plumb to these dimensions.

UNLESS OTHERWISE SPECIFIED: DIMENSIONS ARE IN: INCHES (mm) TOLERANCES ARE: FRACTIONS DECIMALS ANGLES $\pm 1/4"$.XX $\pm .01$ $\pm 1/4^\circ$ XXX $\pm .005$ XXXX $\pm .0005$		ENGINEERED FOR: STANDARD		CLAUDE LAVAL CORP. FRESNO, CALIFORNIA 93727 WWW.LAKOS.COM	
DO NOT SCALE DRAWING	APPROVALS	DATE	TITLE		
MATERIAL PER LAKOS SPEC	DRAWN CAL	11/11/14	PROII-3204-3A/I, SYSTEM, 32" 3 TANK MEDIA, AUTO END FEED		
FINISH AS ASSEMBLED	ENGR -	-	SIZE C	MODEL NO.	DWG NO. PROII-3204-3A/I
	WORK ORDER	QTY.	SCALE 1:12	EST. WT. 827 lb	REV. 02
				SHEET 1 OF 1	

DWG. NO. XXX SHEET 1 REV. 02