

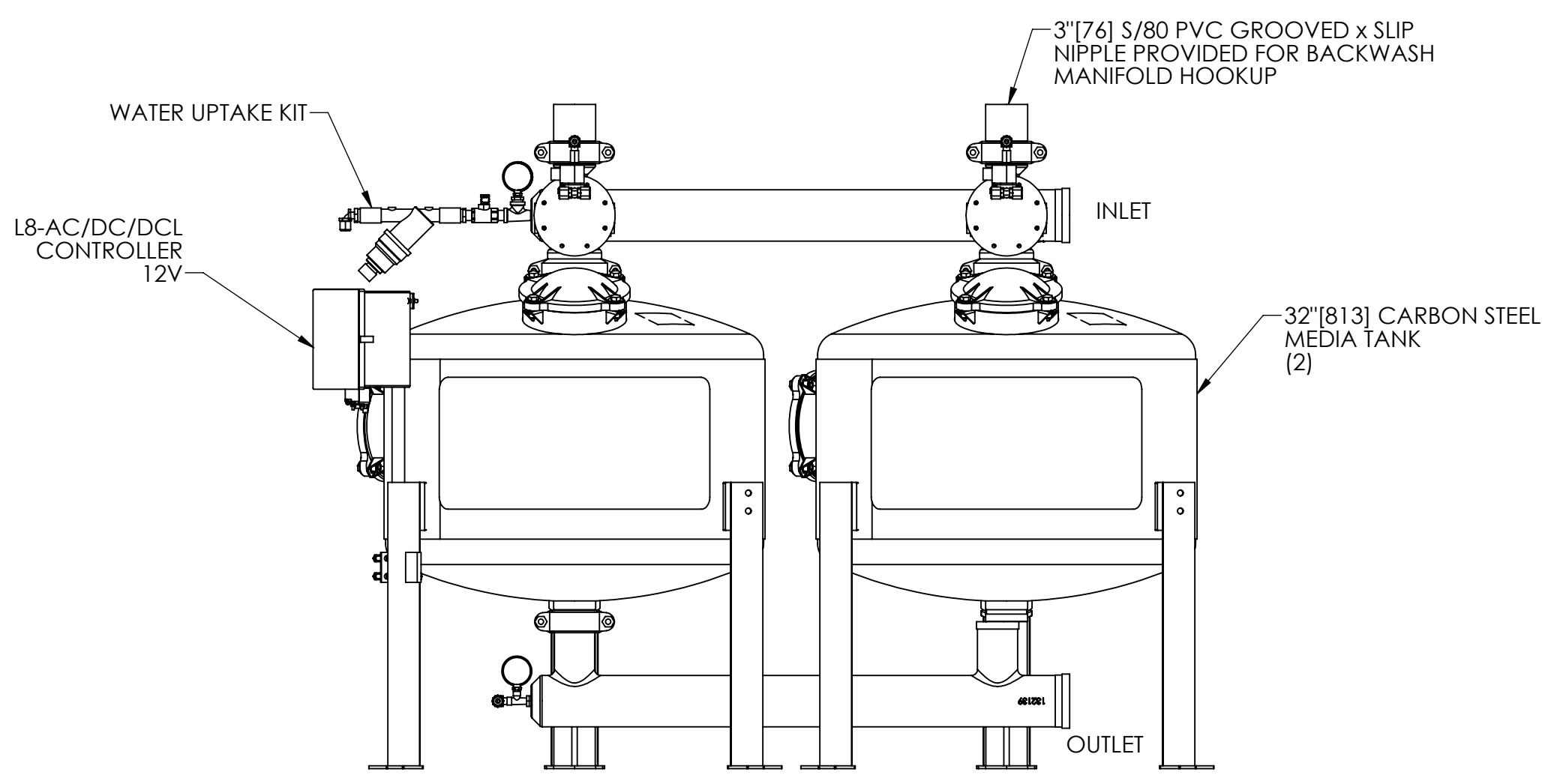
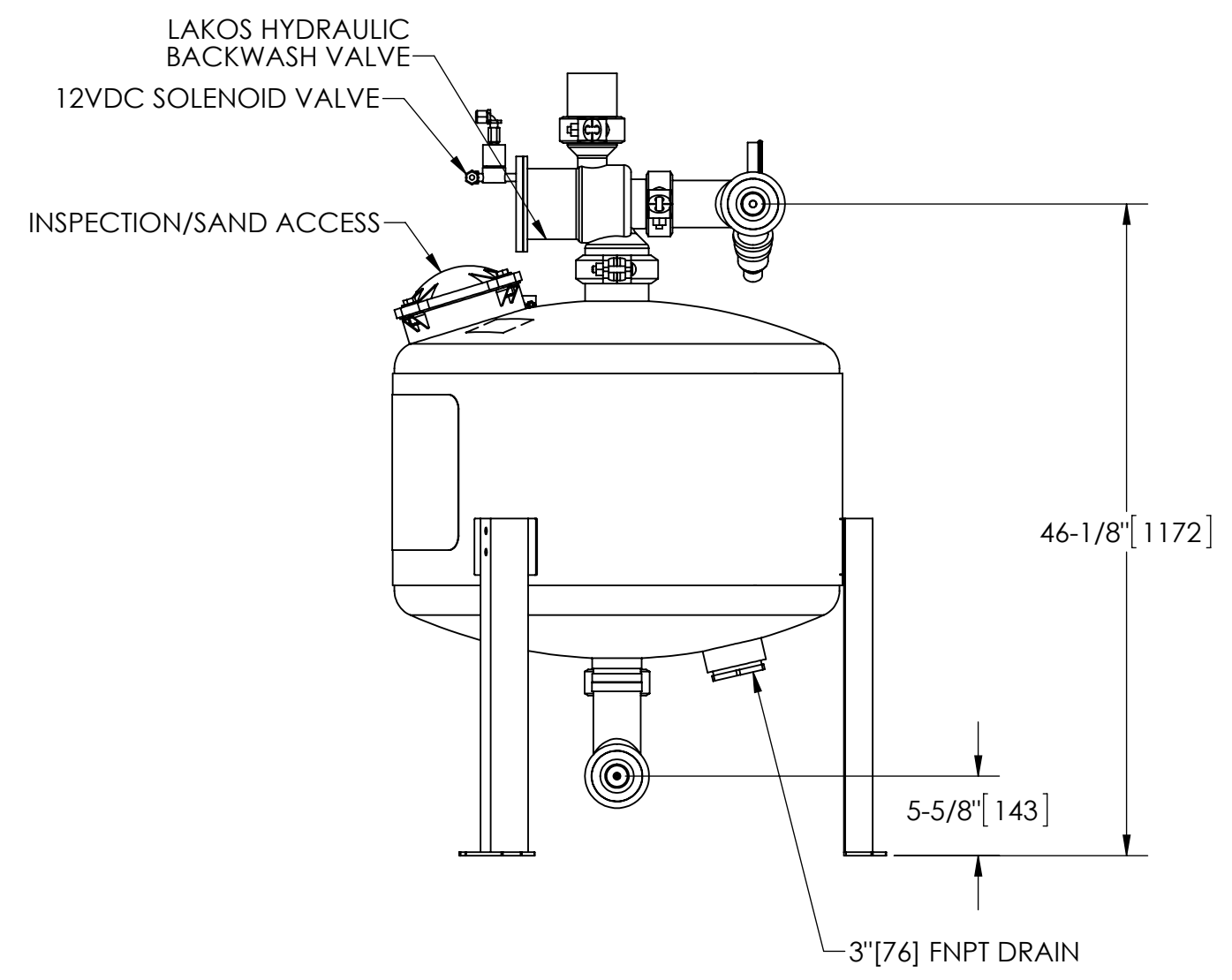
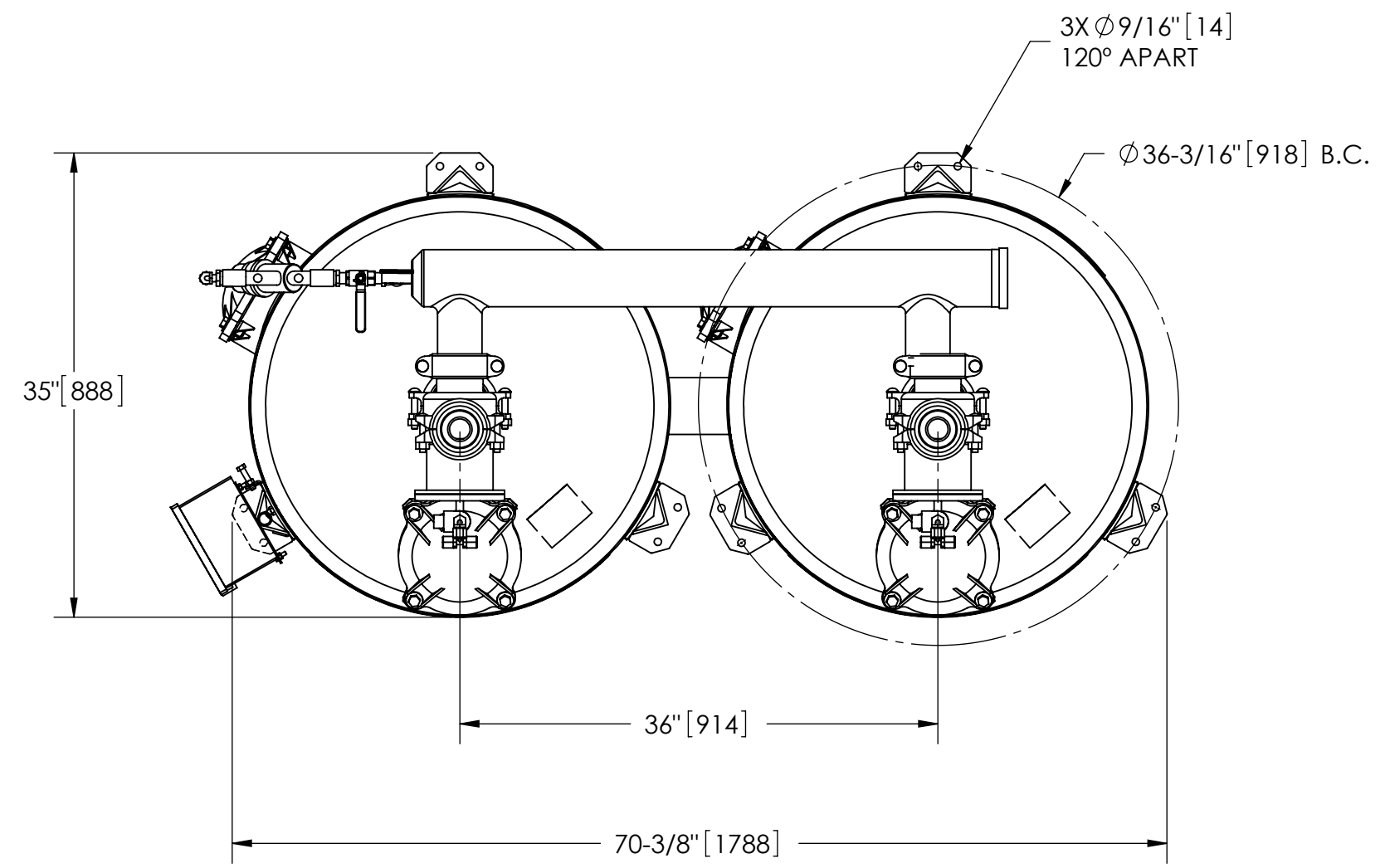
EXCEPT AS OTHERWISE PROVIDED BY CONTRACT, THIS DRAWING AND SPECIFICATIONS SHALL NOT BE REPRODUCED, COPIED OR USED AS THE BASIS FOR MANUFACTURE OR SALE OF MATTER DEPICTED HEREIN WITHOUT THE EXPRESSED WRITTEN PERMISSION OF THE CLAUDE LAVAL CORPORATION, OR ITS ASSIGNEES.

THIS DRAWING HAS BEEN GENERATED AND IS MAINTAINED BY A CAD SYSTEM. CHANGES SHALL ONLY BE INCORPORATED AS DIRECTED BY AN APPROVED ENGINEERING CHANGE ORDER (ECO). PAPER COPIES ARE UNCONTROLLED.

REVISIONS				
ECN	REV.	DESCRIPTION	DATE	APPROVED

NOTES:

1. INLET & OUTLET ARE 4" GROOVED PIPE.
2. MAXIMUM PRESSURE: 80 psi (5.6 bar).
3. MAXIMUM TEMPERATURE: 100°F (37.8°C).
4. RATED FLOWRATE: 160-270 gpm (36-61 m³/hr).
5. FILTRATION AREA: 10.8 ft² (1.0 m²).
6. MEDIA SAND REQUIREMENT: 1400 lbs (635 kg).
7. SYSTEM WEIGHT (WITHOUT SAND): 547 lbs (248 kg).
8. SYSTEM COMPONENTS SHIPPED LOOSE. FINAL ASSEMBLY BY OTHERS.



SIDE VIEW

**SUBMITTAL DRAWING**

This drawing is submitted for spatial consideration only. Do not pre-plumb to these dimensions.

<small>UNLESS OTHERWISE SPECIFIED: DIMENSIONS ARE IN: INCHES (mm) TOLERANCES ARE: FRACTIONS    DECIMALS    ANGLES ± 1"            .XX ± .01            ± 1/4"                   .XXX ± .005                   .XXXX ± .0005</small>	ENGINEERED FOR: <b>STANDARD</b>				<small>CLAUDE LAVAL CORP. FRESNO, CALIFORNIA 93727 WWW.LAKOS.COM</small>		
	APPROVALS	DATE			TITLE		
	DO NOT SCALE DRAWING	DRAWN: JBI	12/18/08	PROII-3204-2A/I, SYSTEM		32" 2 TANK MEDIA, AUTO END FEED	
	MATERIAL: PER LAKOS SPEC	ENGR: -	-	SIZE: C	MODEL NO.	DWG NO. PROII-3204-2A/I	REV. 02
FINISH: AS ASSEMBLED	MFG: -	-	SCALE: 1:12	EST. WT. 547 lb	SHEET 1 OF 1		