

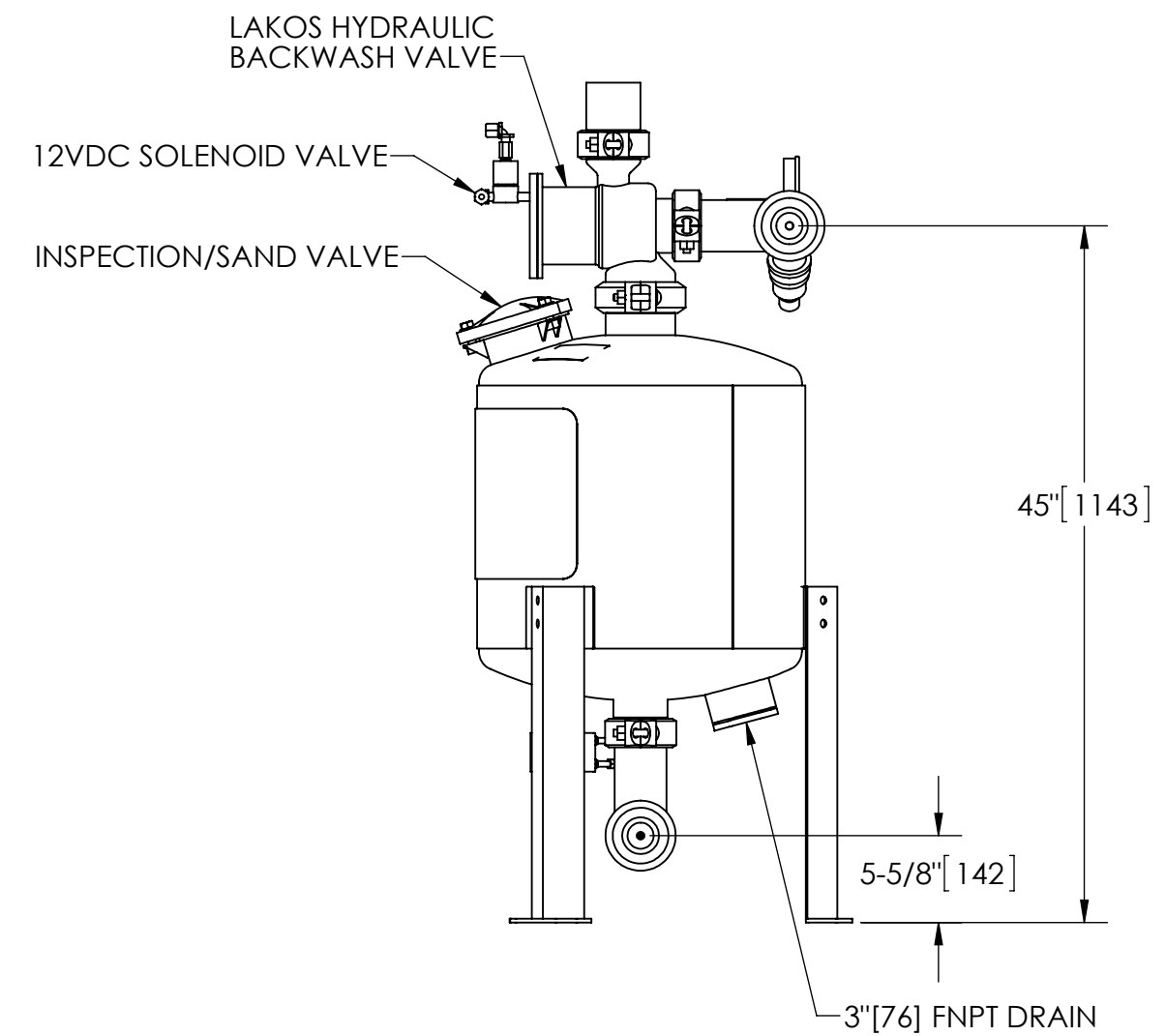
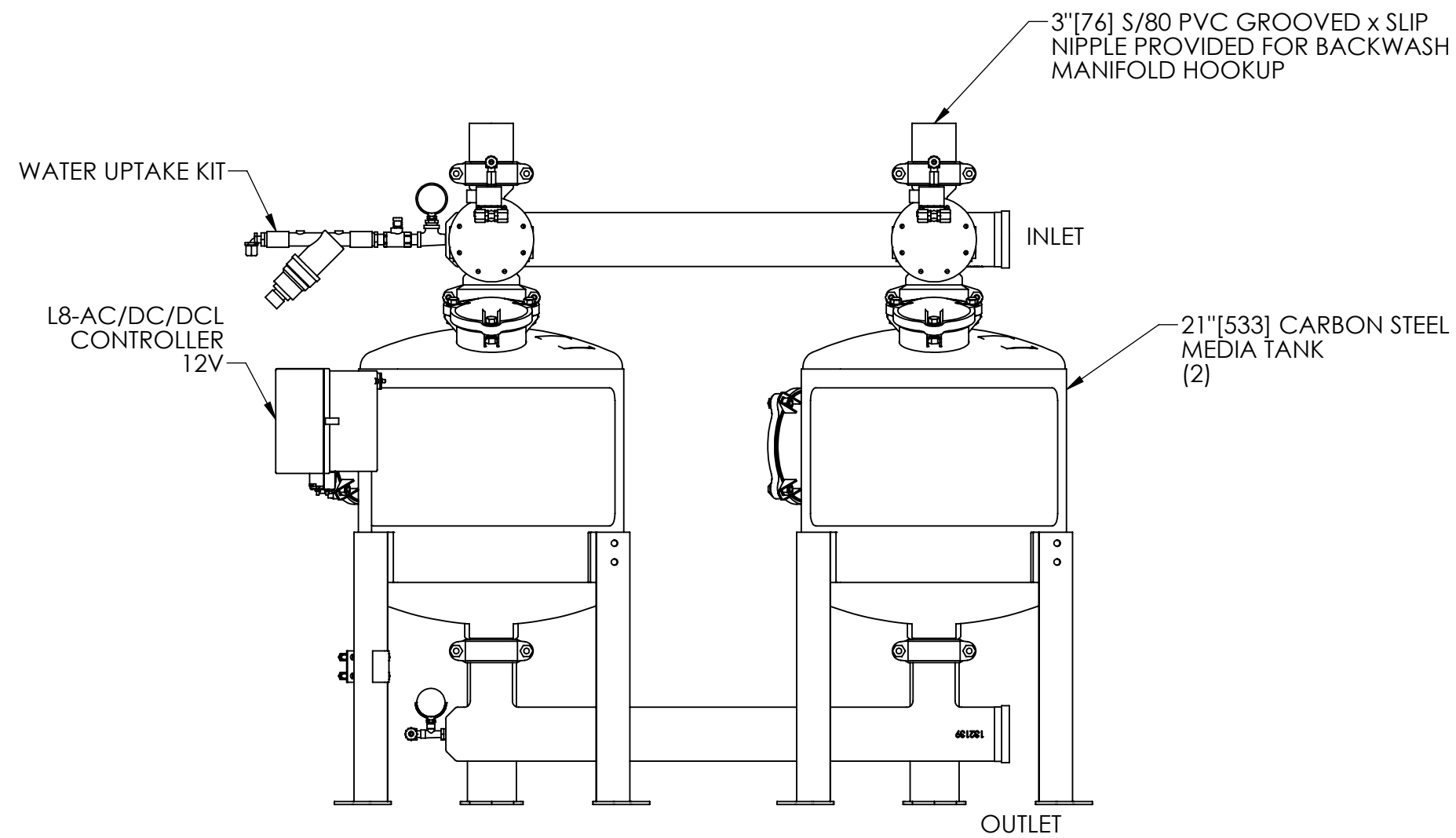
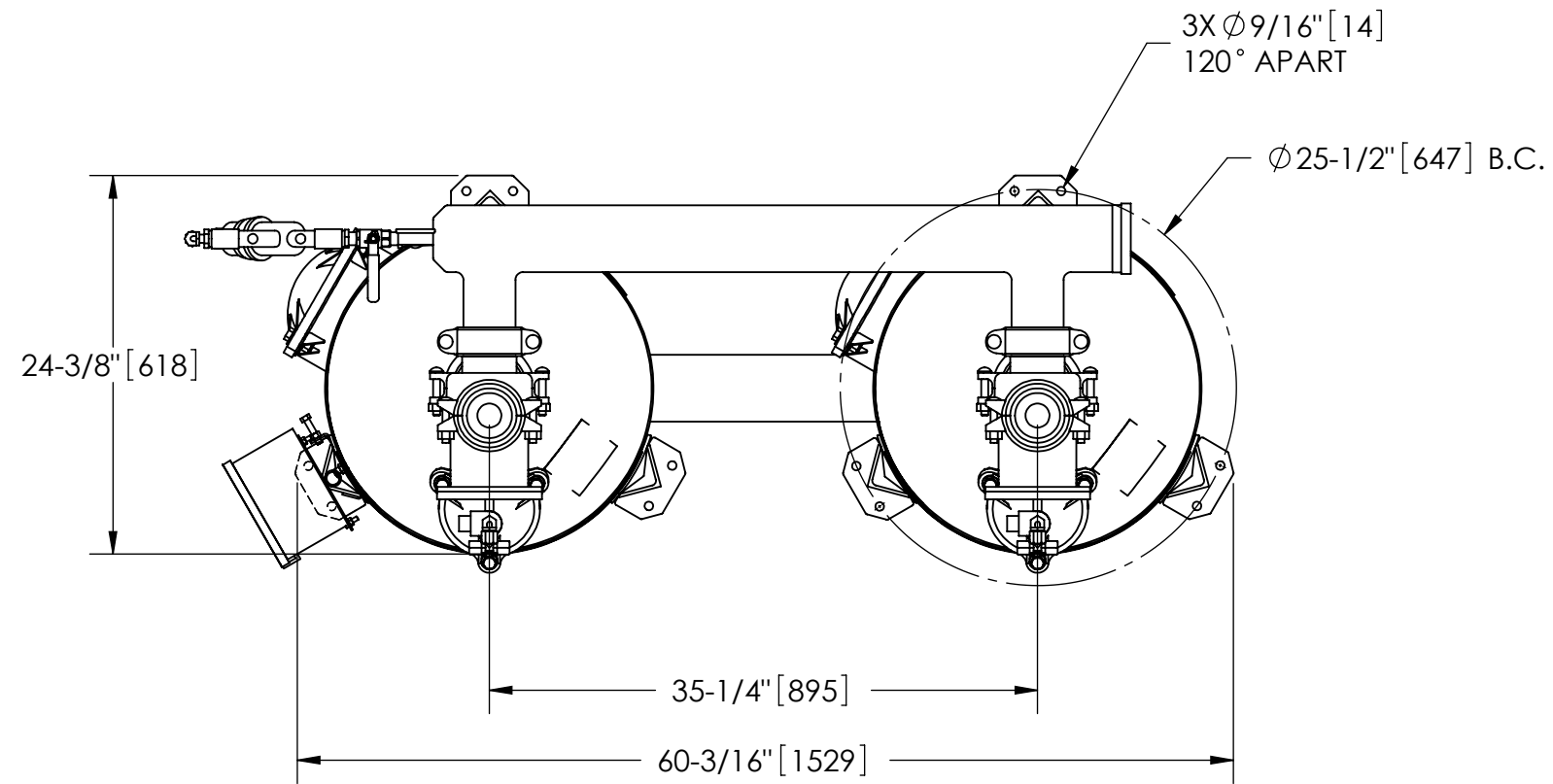
EXCEPT AS OTHERWISE PROVIDED BY CONTRACT, THIS DRAWING AND SPECIFICATIONS SHALL NOT BE REPRODUCED, COPIED OR USED AS THE BASIS FOR MANUFACTURE OR SALE OF MATTER DEPICTED HEREIN WITHOUT THE EXPRESSED WRITTEN PERMISSION OF THE CLAUDE LAVAL CORPORATION, OR ITS ASSIGNEES.

THIS DRAWING HAS BEEN GENERATED AND IS MAINTAINED BY A CAD SYSTEM. CHANGES SHALL ONLY BE INCORPORATED AS DIRECTED BY AN APPROVED ENGINEERING CHANGE ORDER (ECO). PAPER COPIES ARE UNCONTROLLED.

REVISIONS				
ECN	REV.	DESCRIPTION	DATE	APPROVED

NOTES:

1. INLET & OUTLET ARE 4" GROOVED PIPE.
2. MAXIMUM PRESSURE: 150 psi (10.3 bar).
3. MAXIMUM TEMPERATURE: 100°F (37.8°C).
4. RATED FLOWRATE: 70-119 gpm (16-27 m³/hr).
5. FILTRATION AREA: 4.8 ft² (0.45 m²).
6. MEDIA SAND REQUIREMENT: 600 lbs (272 kg).
7. SYSTEM WEIGHT (WITHOUT SAND): 315 lbs (143 kg).
8. SYSTEM COMPONENTS SHIPPED LOOSE. FINAL ASSEMBLY BY OTHERS.



SUBMITTAL DRAWING

This drawing is submitted for spatial consideration only. Do not pre-plumb to these dimensions.

<small>UNLESS OTHERWISE SPECIFIED: DIMENSIONS ARE IN: INCHES [mm] TOLERANCES ARE: FRACTIONS DECIMALS ANGLES ± 1/4" .XX ± .01 ± 1/4° .XXX ± .005 .XXXX ± .0005</small>	ENGINEERED FOR: STANDARD			<small>CLAUDE LAVAL CORP. FRESNO, CALIFORNIA 93727 WWW.LAKOS.COM</small>		
	APPROVALS	DATE		TITLE		
	DRAWN AMF	1/27/09		PROII-2104-2A/I, SYSTEM, 21" 2 TANK MEDIA, AUTO END FEED		
	ENGR -	-		SIZE C	MODEL NO.	DWG NO. PROII-2104-2A/I
MATERIAL PER LAKOS SPEC	MFG -	WORK ORDER	QTY.	SCALE 1:12	EST. WT. 315 lb	SHEET 1 OF 1