

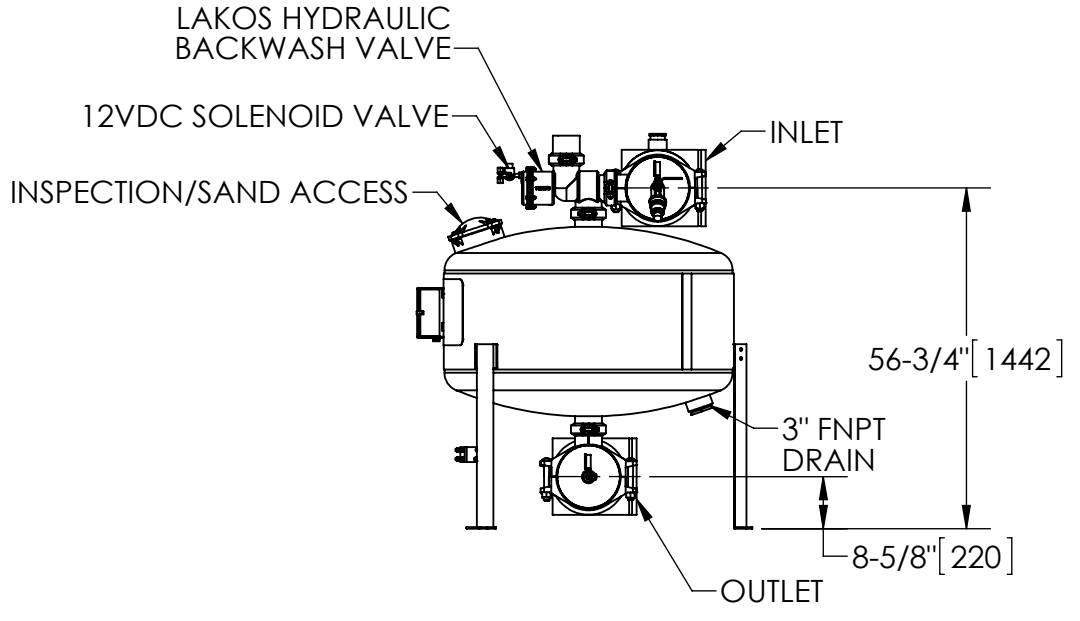
EXCEPT AS OTHERWISE PROVIDED BY CONTRACT, THIS DRAWING AND SPECIFICATIONS SHALL NOT BE REPRODUCED, COPIED OR USED AS THE BASIS FOR MANUFACTURE OR SALE OF MATTER DEPICTED HEREIN WITHOUT THE EXPRESSED WRITTEN PERMISSION OF THE CLAUDE LAVAL CORPORATION, OR ITS ASSIGNEES.

THIS DRAWING HAS BEEN GENERATED AND IS MAINTAINED BY A CAD SYSTEM. CHANGES SHALL ONLY BE INCORPORATED AS DIRECTED BY AN APPROVED ENGINEERING CHANGE ORDER (ECO). PAPER COPIES ARE UNCONTROLLED.

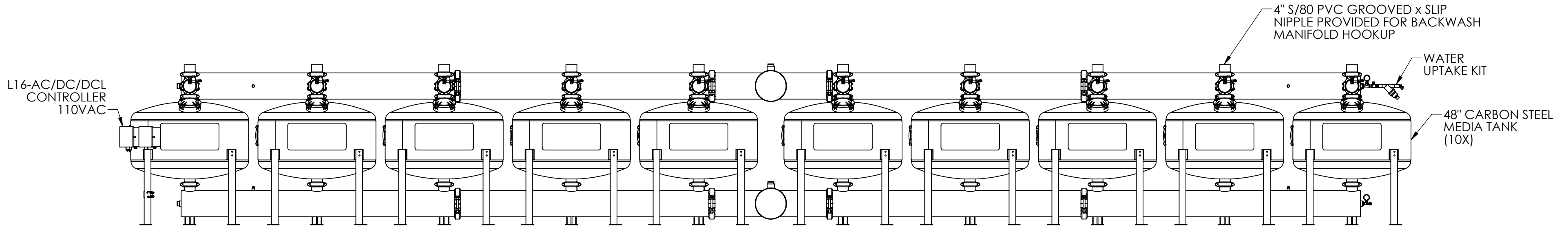
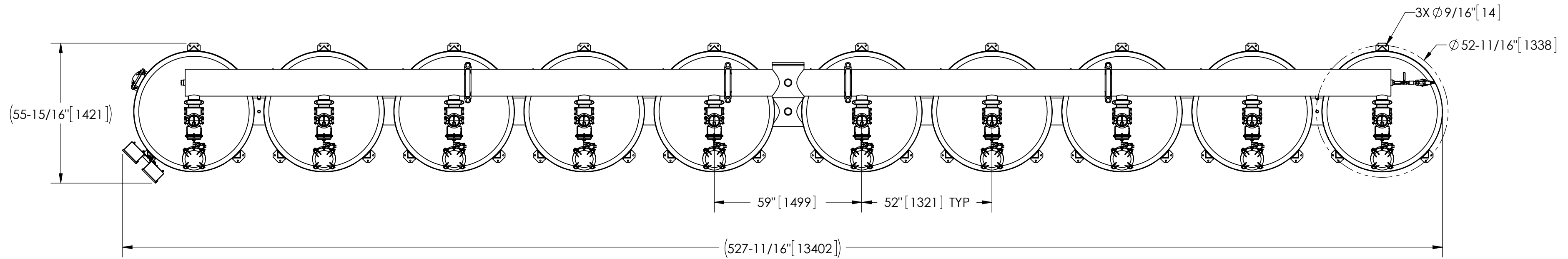
REVISIONS				
ECN	REV.	DESCRIPTION	DATE	APPROVED

NOTES:

1. INLET & OUTLET ARE 12" GROOVED PIPE.
2. MAXIMUM PRESSURE: 80 psi (5.6 bar).
3. MAXIMUM TEMPERATURE: 100°F (37.8°C).
4. RATED FLOWRATE: 1885-3140 gpm (428-715 m³/hr).
5. FILTRATION AREA: 125.6 ft² (11.6 m²).
6. MEDIA SAND REQUIREMENT: 13000 lbs (1680 kg).
7. SYSTEM WEIGHT (WITHOUT SAND): 3836 lbs (1740 kg).
8. SYSTEM COMPONENTS SHIPPED LOOSE. FINAL ASSEMBLY BY OTHERS.



SIDE VIEW



UNLESS OTHERWISE SPECIFIED: DIMENSIONS ARE IN: INCHES [mm] TOLERANCES ARE: FRACTIONS DECIMALS ANGLES ± 1" .X ± .02 ± 1/4° .XX ± .01 .XXX ± .005		ENGINEERED FOR: STANDARD		CLAUDE LAVAL CORP. FRESNO, CALIFORNIA 93727 WWW.LAKOS.COM		LAVAL UNDERGROUND SURVEYS	
DO NOT SCALE DRAWING		APPROVALS	DATE	TITLE			
MATERIAL PER LAKOS SPEC		DRAWN JBI	10/21/13	PROII-4812-10A/C, SYSTEM			
FINISH AS ASSEMBLED		ENGR JBI	10/21/13	48" 10 TANK MEDIA, AUTO CENTER FEED			
SCALE 1:32		MFG -	-	SIZE C	MODEL NO.	DWG NO. PROII-4812-10A/C	REV. 01
EST. WT. 3836 lb		WORK ORDER	QTY.	SHEET 1 OF 1			

DWG. NO. PROII-4812-10A/C 1 REV. 01