

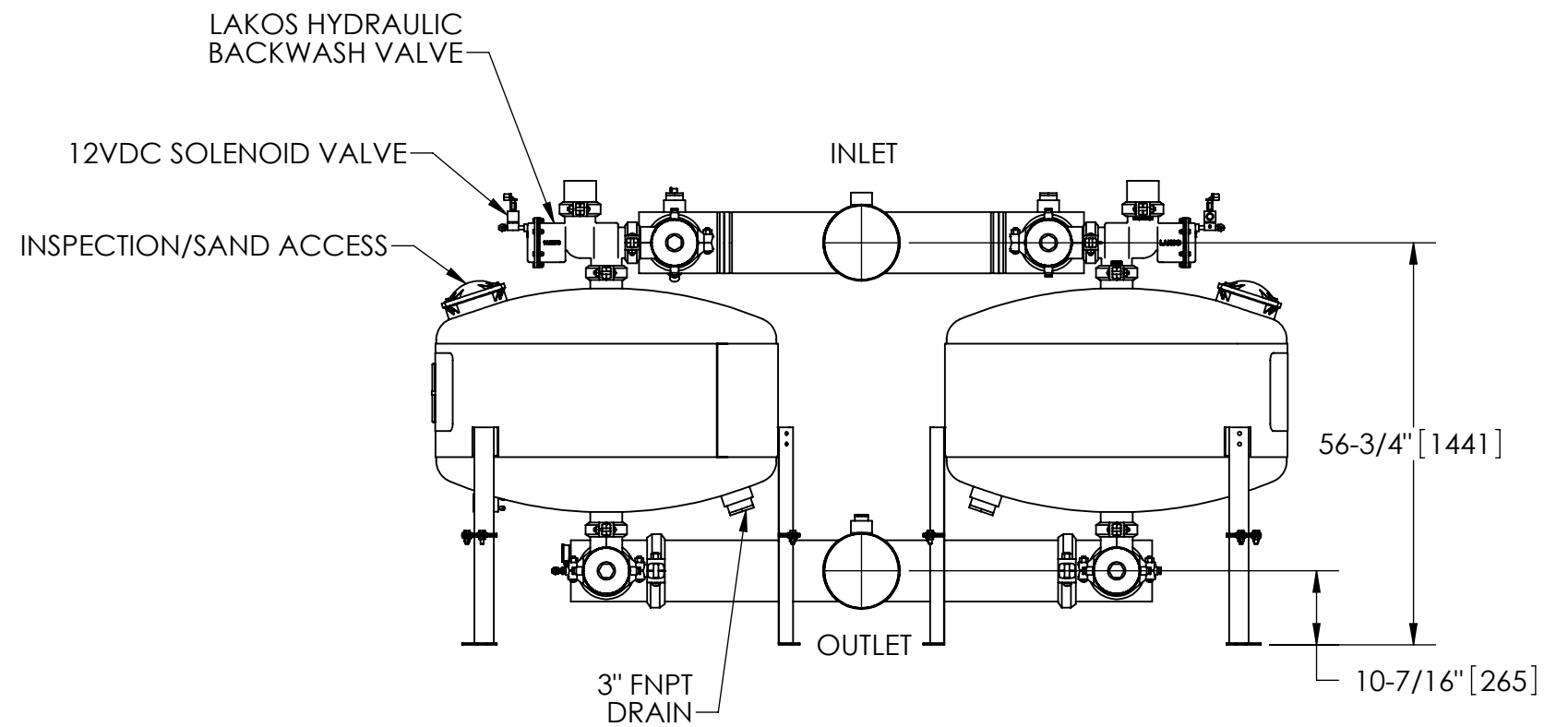
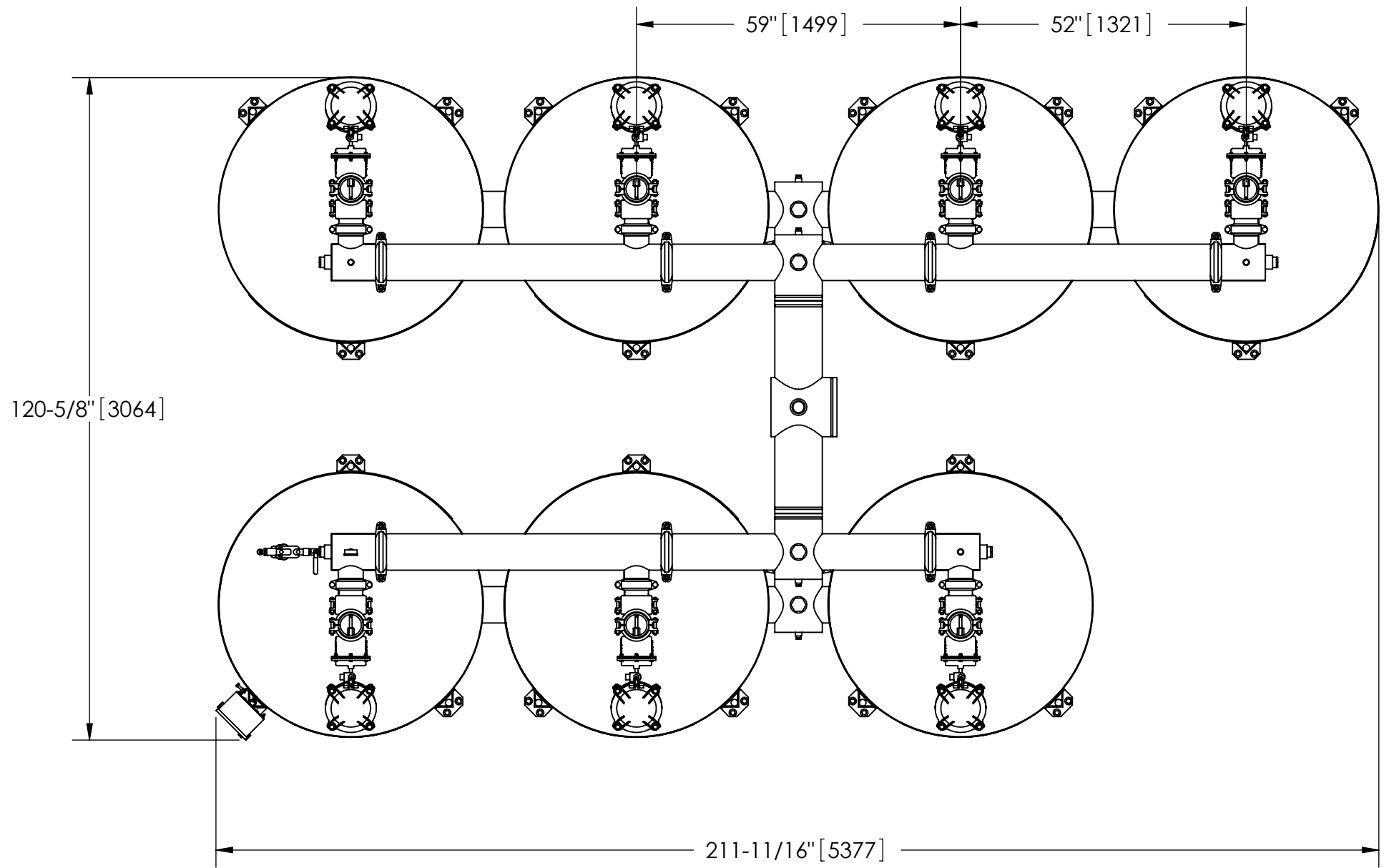
EXCEPT AS OTHERWISE PROVIDED BY CONTRACT, THIS DRAWING AND SPECIFICATIONS SHALL NOT BE REPRODUCED, COPIED OR USED AS THE BASIS FOR MANUFACTURE OR SALE OF MATTER DEPICTED HEREIN WITHOUT THE EXPRESSED WRITTEN PERMISSION OF THE CLAUDE LAVAL CORPORATION, OR ITS ASSIGNEES.

THIS DRAWING HAS BEEN GENERATED AND IS MAINTAINED BY A CAD SYSTEM. CHANGES SHALL ONLY BE INCORPORATED AS DIRECTED BY AN APPROVED ENGINEERING CHANGE ORDER (ECO). PAPER COPIES ARE UNCONTROLLED.

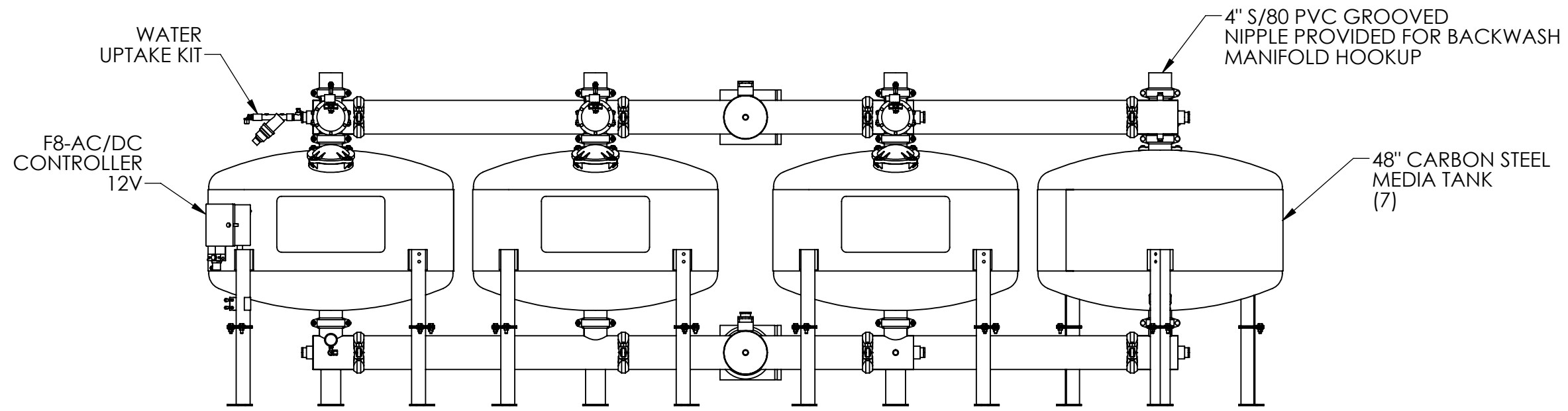
REVISIONS				
ECN	REV.	DESCRIPTION	DATE	APPROVED

NOTES:

1. INLET & OUTLET ARE 10" GROOVED PIPE.
2. MAXIMUM PRESSURE: 80 psi (5.6 bar).
3. MAXIMUM TEMPERATURE: 100°F (37.8°C).
4. RATED FLOWRATE: 1320-2200 gpm (300-500 m³/hr).
5. FILTRATION AREA: 87.9 ft² (8.1 m²).
6. MEDIA SAND REQUIREMENT: 2565 lbs (1165 kg).
7. SYSTEM WEIGHT (WITHOUT SAND): 2445 lbs (1109 kg).
8. SYSTEM COMPONENTS SHIPPED LOOSE. FINAL ASSEMBLY BY OTHERS.



SIDE VIEW



SUBMITTAL DRAWING

This drawing is submitted for spatial consideration only. Do not pre-plumb to these dimensions.

<small>UNLESS OTHERWISE SPECIFIED: DIMENSIONS ARE IN: INCHES (mm) TOLERANCES ARE: FRACTIONS DECIMALS ANGLES ± 1/4" .XX ± .01 ± 1/4° .XXX ± .005 .XXXX ± .0005</small>	ENGINEERED FOR: STANDARD			<small>CLAUDE LAVAL CORP. FRESNO, CALIFORNIA 93727 WWW.LAKOS.COM</small>			
	APPROVALS	DATE		TITLE			
	DRAWN: AMF	12/1/08		PROII-4810-7A/H, SYSTEM 48" 7 TANK MEDIA, AUTO "H" FEED			
	ENGR: -	-		SIZE: C	MODEL NO.		DWG NO. PROII-4810-7A/H
MATERIAL: PER LAKOS SPEC	ENGR: -	MFG: -	SCALE: 1:25	EST. WT. 2445 lb	SHEET 1 OF 1		
FINISH: AS ASSEMBLED	WORK ORDER	QTY.					

DWG. NO. XXX REV. 01