

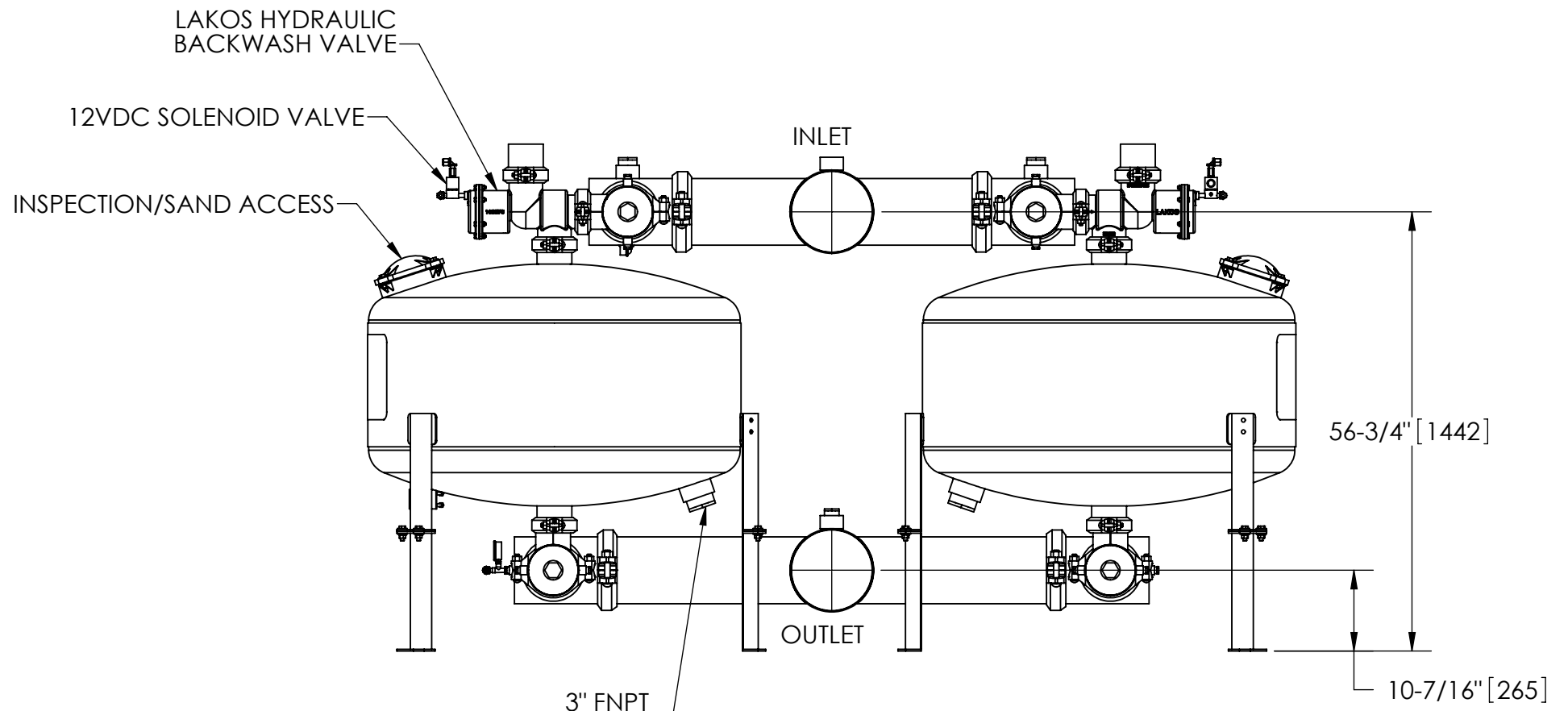
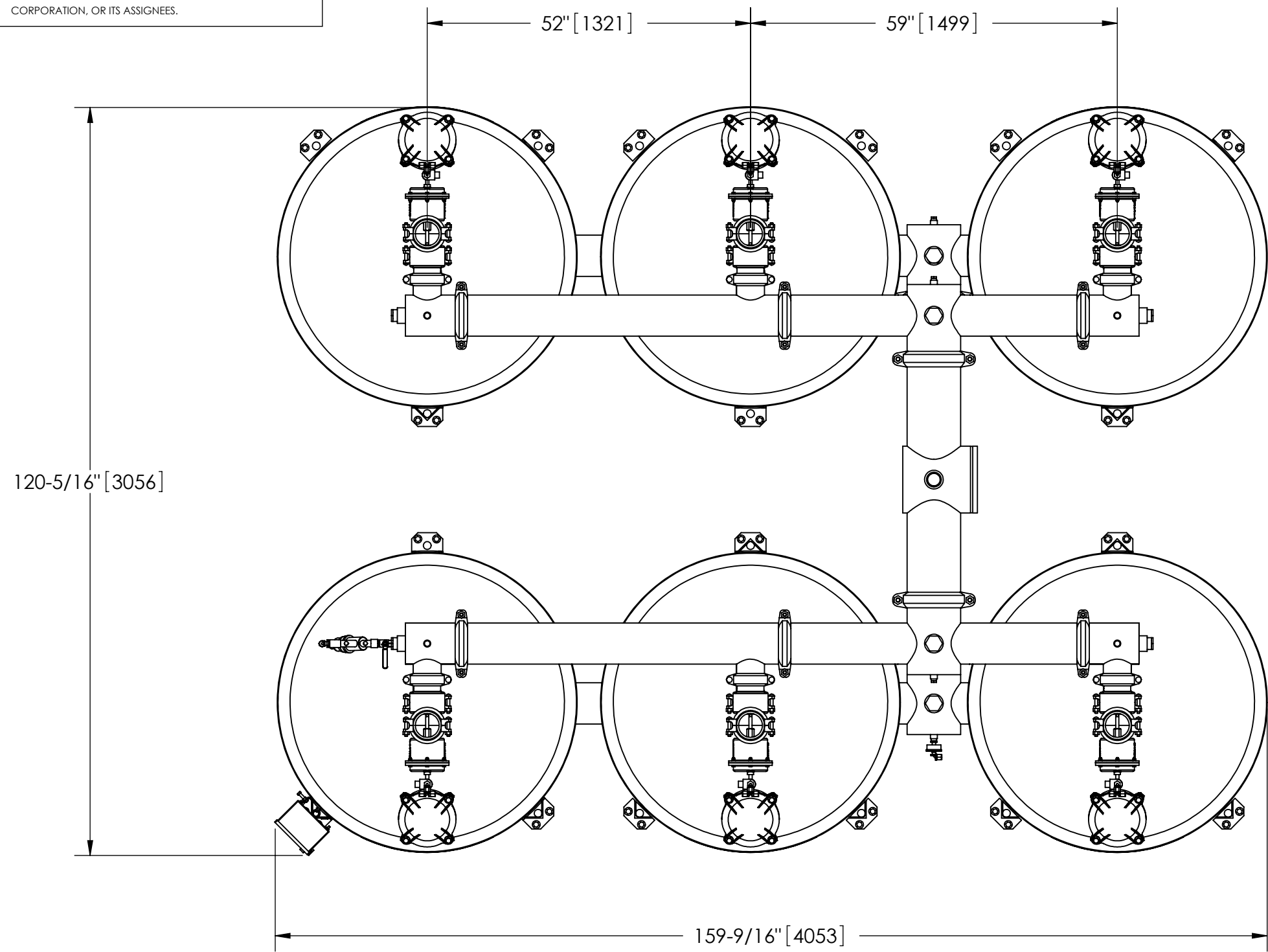
EXCEPT AS OTHERWISE PROVIDED BY CONTRACT, THIS DRAWING AND SPECIFICATIONS SHALL NOT BE REPRODUCED, COPIED OR USED AS THE BASIS FOR MANUFACTURE OR SALE OF MATTER DEPICTED HEREIN WITHOUT THE EXPRESSED WRITTEN PERMISSION OF THE CLAUDE LAVAL CORPORATION, OR ITS ASSIGNEES.

THIS DRAWING HAS BEEN GENERATED AND IS MAINTAINED BY A CAD SYSTEM. CHANGES SHALL ONLY BE INCORPORATED AS DIRECTED BY AN APPROVED ENGINEERING CHANGE ORDER (ECO). PAPER COPIES ARE UNCONTROLLED.

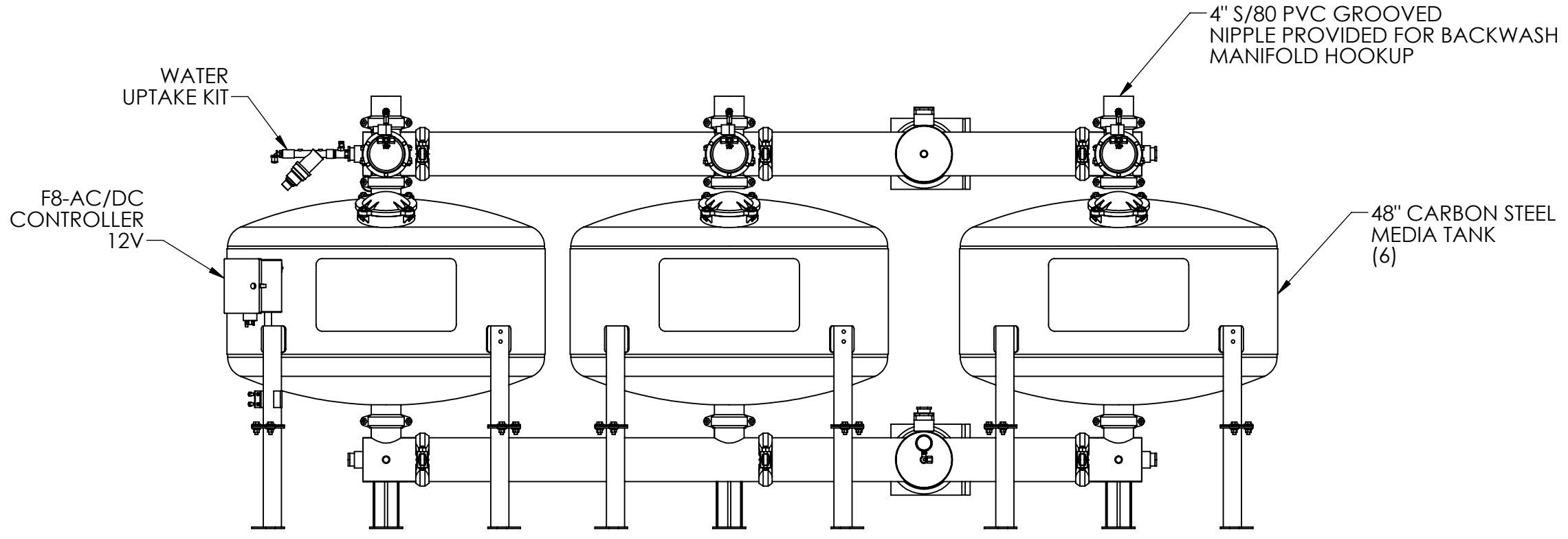
REVISIONS				
ZONE	REV.	DESCRIPTION	DATE	APPROVED

NOTES:

1. INLET & OUTLET ARE 10" GROOVED PIPE.
2. MAXIMUM PRESSURE: 80 psi (5.6 bar).
3. MAXIMUM TEMPERATURE: 100°F (37.8°C).
4. RATED FLOWRATE: 1130-1870 gpm (257-425 m³/hr).
5. FILTRATION AREA: 75.4 ft² (7.0 m²).
6. MEDIA SAND REQUIREMENT: 7800 lbs (3537 kg).
7. SYSTEM WEIGHT (WITHOUT SAND): 2286 lbs (1037 kg).
8. SYSTEM COMPONENTS SHIPPED LOOSE. FINAL ASSEMBLY BY OTHERS.



SIDE VIEW



SUBMITTAL DRAWING

This drawing is submitted for spatial consideration only. Do not pre-plumb to these dimensions.

UNLESS OTHERWISE SPECIFIED: DIMENSIONS ARE IN: INCHES (mm) TOLERANCES ARE: FRACTIONS DECIMALS ANGLES $\pm 1/4"$.XX $\pm .01$ $\pm 1/4^\circ$.XXX $\pm .005$.XXXX $\pm .0005$	ENGINEERED FOR:		LAKOS		CLAUDE LAVAL CORP. FRESNO, CALIFORNIA 93727 WWW.LAKOS.COM	
	STANDARD					
	DO NOT SCALE DRAWING	APPROVALS	DATE	TITLE		
	MATERIAL PER LAKOS SPEC	DRAWN JBI	9/5/08	PROII-4810-6A/H, SYSTEM 48" 6 TANK MEDIA, AUTO "H" FEED		
FINISH AS ASSEMBLED	ENGR -	-	SIZE C	MODEL NO.	DWG NO. PROII-4810-6A/H	REV. 01
	WORK ORDER	QTY.	SCALE 1:20	EST. WT. 2286 lb	SHEET 1 OF 1	