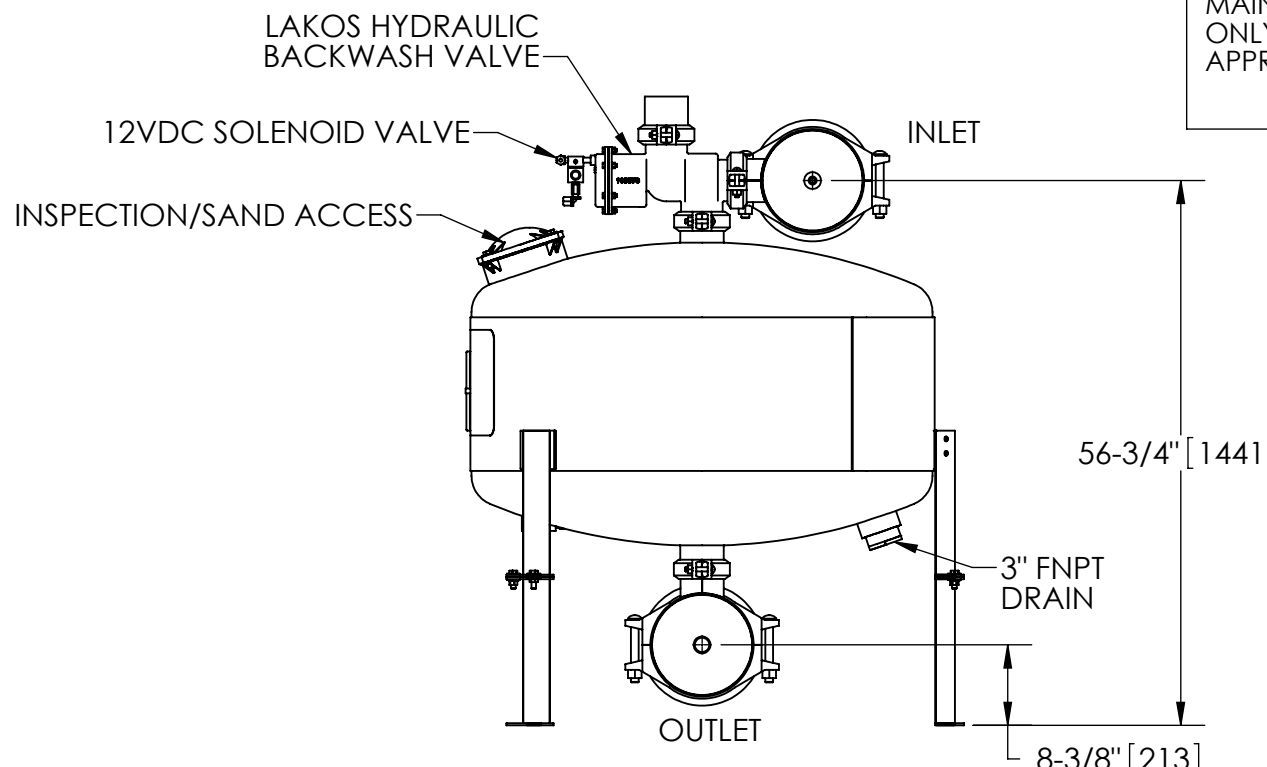


EXCEPT AS OTHERWISE PROVIDED BY CONTRACT, THIS DRAWING AND SPECIFICATIONS SHALL NOT BE REPRODUCED, COPIED OR USED AS THE BASIS FOR MANUFACTURE OR SALE OF MATTER DEPICTED HEREIN WITHOUT THE EXPRESSED WRITTEN PERMISSION OF THE CLAUDE LAVAL CORPORATION, OR ITS ASSIGNEES.

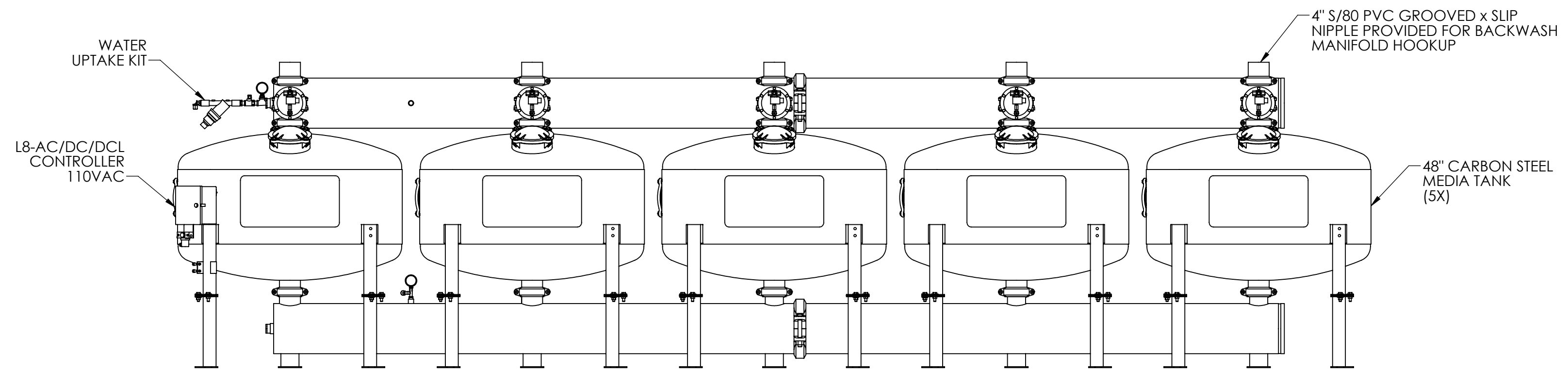
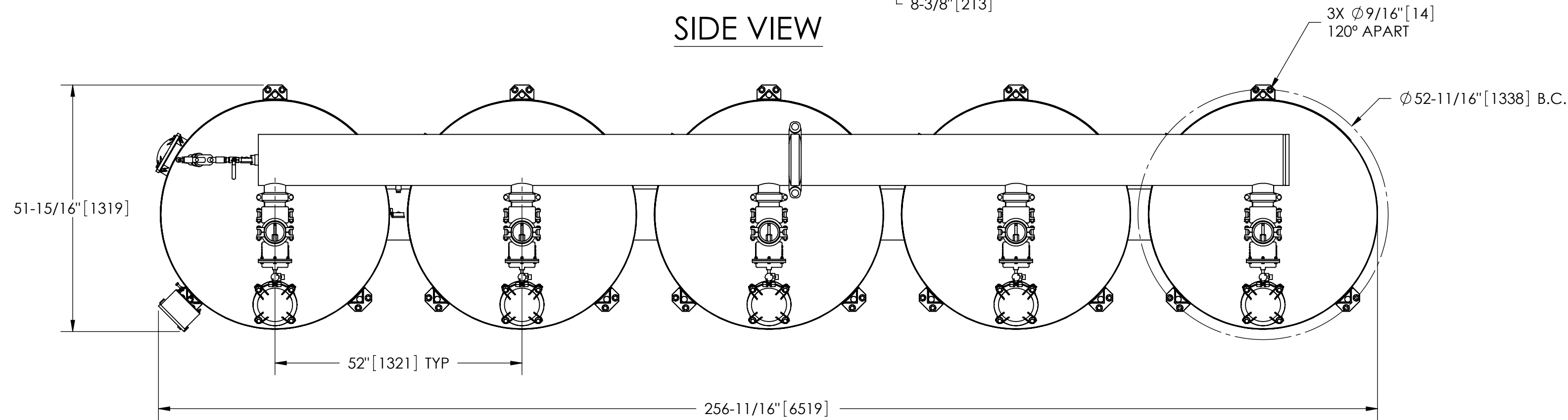
THIS DRAWING HAS BEEN GENERATED AND IS MAINTAINED BY A CAD SYSTEM. CHANGES SHALL ONLY BE INCORPORATED AS DIRECTED BY AN APPROVED ENGINEERING CHANGE ORDER (ECO). PAPER COPIES ARE UNCONTROLLED.

REVISIONS				
ZONE	REV.	DESCRIPTION	DATE	APPROVED

- NOTES:
1. INLET & OUTLET ARE 10" GROOVED PIPE.
 2. MAXIMUM PRESSURE: 80 psi (5.6 bar).
 3. MAXIMUM TEMPERATURE: 100°F (37.8°C).
 4. RATED FLOWRATE: 1050-1550 gpm (238-352 m³/hr).
 5. FILTRATION AREA: 62.8 ft² (5.8 m²).
 6. MEDIA SAND REQUIREMENT: 6500 lbs (2948 kg).
 7. SYSTEM WEIGHT (WITHOUT SAND): 3443 lbs (1561 kg).
 8. SYSTEM COMPONENTS SHIPPED LOOSE. FINAL ASSEMBLY BY OTHERS.
 9. MINI MUM BACKWASH LINE: 4" PIPE (MANIFOLD BY OTHERS).



SIDE VIEW



SUBMITTAL DRAWING
 This drawing is submitted for spatial consideration only. Do not pre-plumb to these dimensions.

UNLESS OTHERWISE SPECIFIED: DIMENSIONS ARE IN: INCHES [mm] TOLERANCES ARE: FRACTIONS DECIMALS ANGLES ± 1" .XX ± .01 ± 1/4" .XXX ± .005 .XXXX ± .0005		ENGINEERED FOR: STANDARD		CLAUDE LAVAL CORP. FRESNO, CALIFORNIA 93727 WWW.LAKOS.COM		LAVAL UNDERGROUND SURVEYS	
DO NOT SCALE DRAWING		APPROVALS	DATE	TITLE			
MATERIAL PER LAKOS SPEC		DRAWN JBI	2/20/08	PROII-4810-5A/I, SYSTEM 48" 5 TANK MEDIA, AUTO END FEED			
FINISH AS ASSEMBLED		ENGR JBI	2/20/08	SIZE C	MODEL NO.	DWG NO.	REV. 01
		WORK ORDER	QTY.	SCALE 1:20	EST. WT. 3443 lb	SHEET 1 OF 1	

DWG. NO. XXX SH. 1 REV. 01