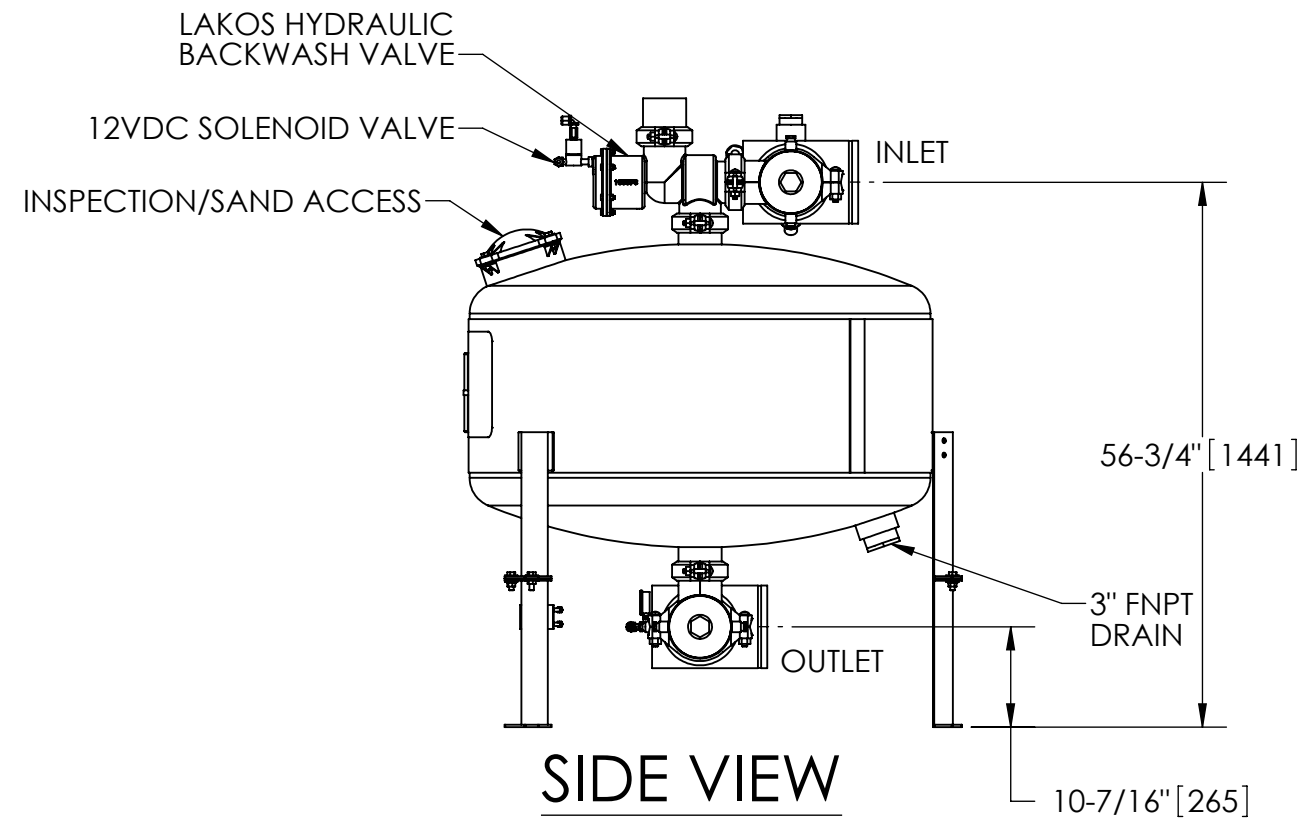


EXCEPT AS OTHERWISE PROVIDED BY CONTRACT, THIS DRAWING AND SPECIFICATIONS SHALL NOT BE REPRODUCED, COPIED OR USED AS THE BASIS FOR MANUFACTURE OR SALE OF MATTER DEPICTED HEREIN WITHOUT THE EXPRESSED WRITTEN PERMISSION OF THE CLAUDE LAVAL CORPORATION, OR ITS ASSIGNEES.

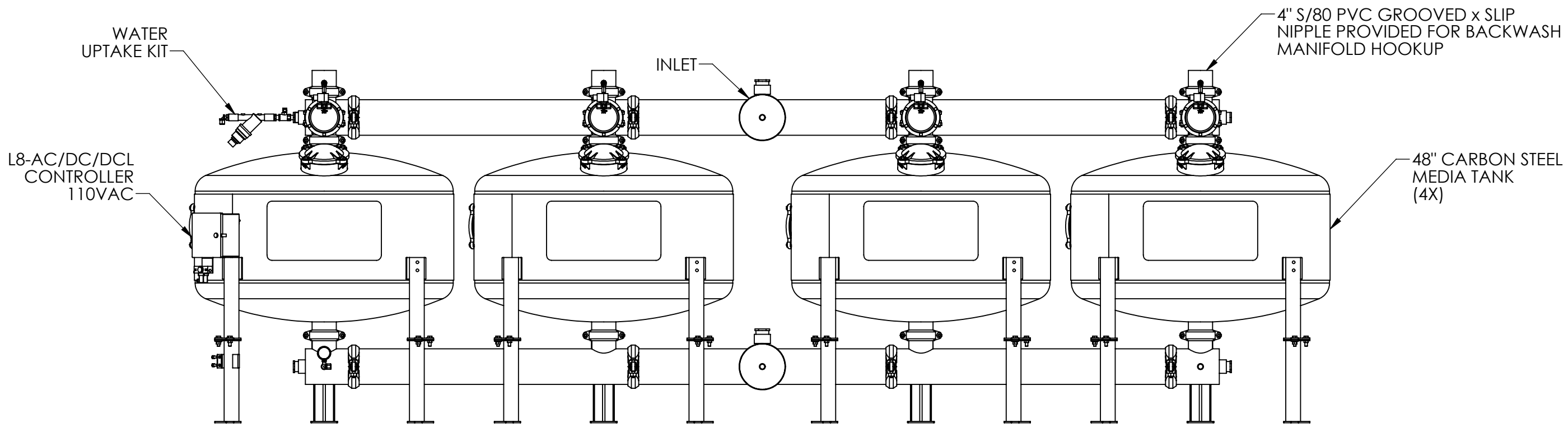
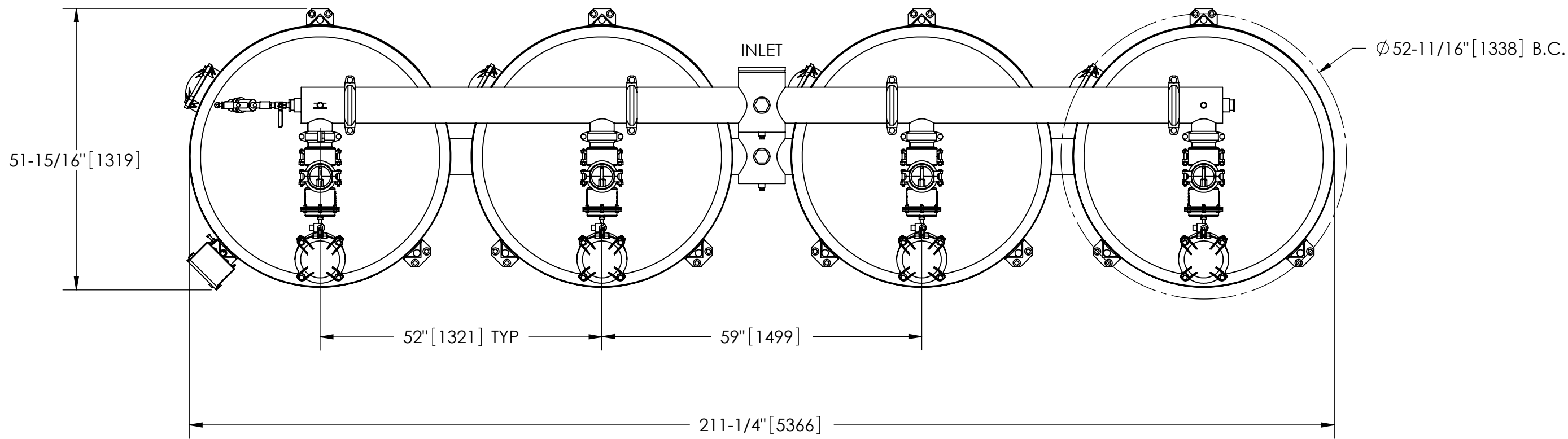


THIS DRAWING HAS BEEN GENERATED AND IS MAINTAINED BY A CAD SYSTEM. CHANGES SHALL ONLY BE INCORPORATED AS DIRECTED BY AN APPROVED ENGINEERING CHANGE ORDER (ECO). PAPER COPIES ARE UNCONTROLLED.

REVISIONS				
ZONE	REV.	DESCRIPTION	DATE	APPROVED

NOTES:

1. INLET & OUTLET ARE 8" GROOVED PIPE.
2. MAXIMUM PRESSURE: 80 psi (5.6 bar).
3. MAXIMUM TEMPERATURE: 100°F (37.8°C).
4. RATED FLOWRATE: 845-1240 gpm (192-282 m³/hr).
5. FILTRATION AREA: 50.2 ft² (4.6 m²).
6. MEDIA SAND REQUIREMENT: 5200 lbs (2359 kg).
7. SYSTEM WEIGHT (WITHOUT SAND): 1502 lbs (681 kg).
8. SYSTEM COMPONENTS SHIPPED LOOSE. FINAL ASSEMBLY BY OTHERS.



SUBMITTAL DRAWING

This drawing is submitted for spatial consideration only. Do not pre-plumb to these dimensions.

UNLESS OTHERWISE SPECIFIED:
DIMENSIONS ARE IN: INCHES [mm]
TOLERANCES ARE:

FRACTIONS	DECIMALS	ANGLES
± 1"	.XX ± .01	± 1/4°
	.XXX ± .005	
	.XXXX ± .0005	

DO NOT SCALE DRAWING

MATERIAL	PER LAKOS SPECS
FINISH	AS ASSEMBLED

ENGINEERED FOR:	STANDARD	
APPROVALS		DATE
DRAWN	JBI	2/29/08
ENGR	JBI	2/20/08
MFG	-	-
WORK ORDER		QTY.

LAKOS		CLAUDE LAVAL CORP. FRESNO, CALIFORNIA 93727 WWW.LAKOS.COM			
TITLE PROII-4808-4A/C, SYSTEM 48" TANK MEDIA, AUTO CENTER FEED					
SIZE	MODEL NO.	DWG NO.	REV.		
C		-	01		
SCALE	1:20	EST. WT.	1502 lb	SHEET	1 OF 1

DWG. NO. XXX
SHEET 01