

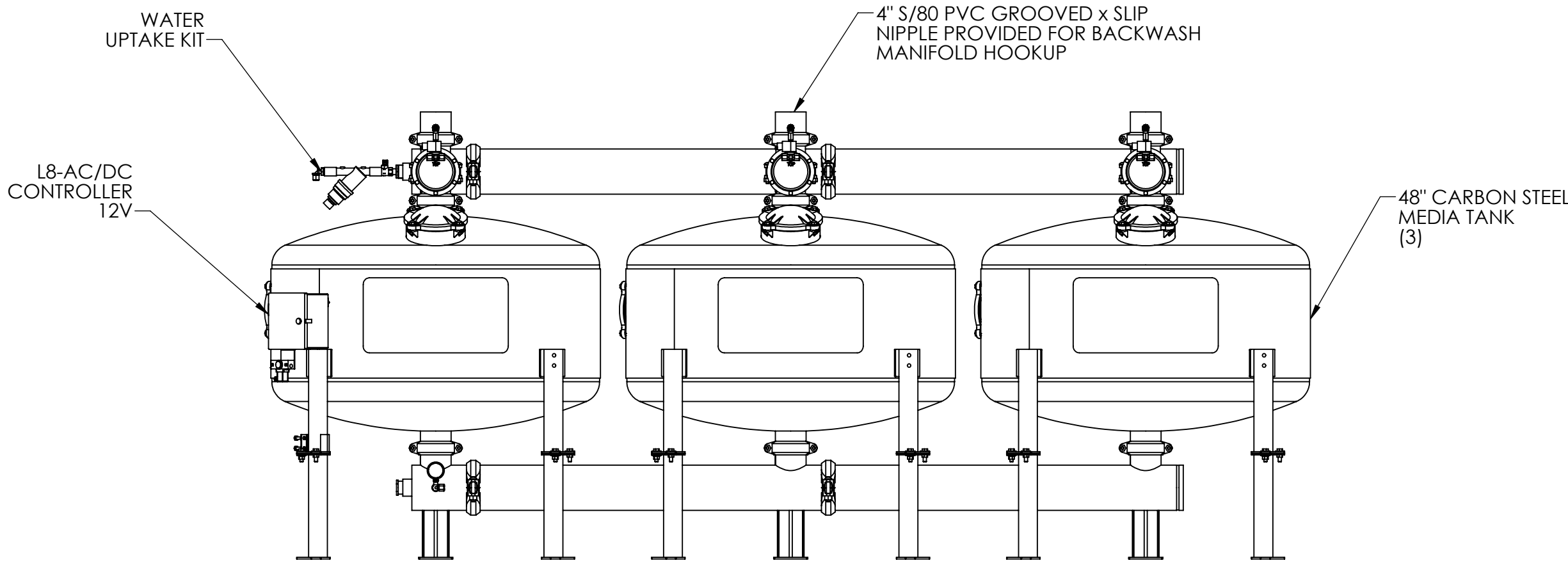
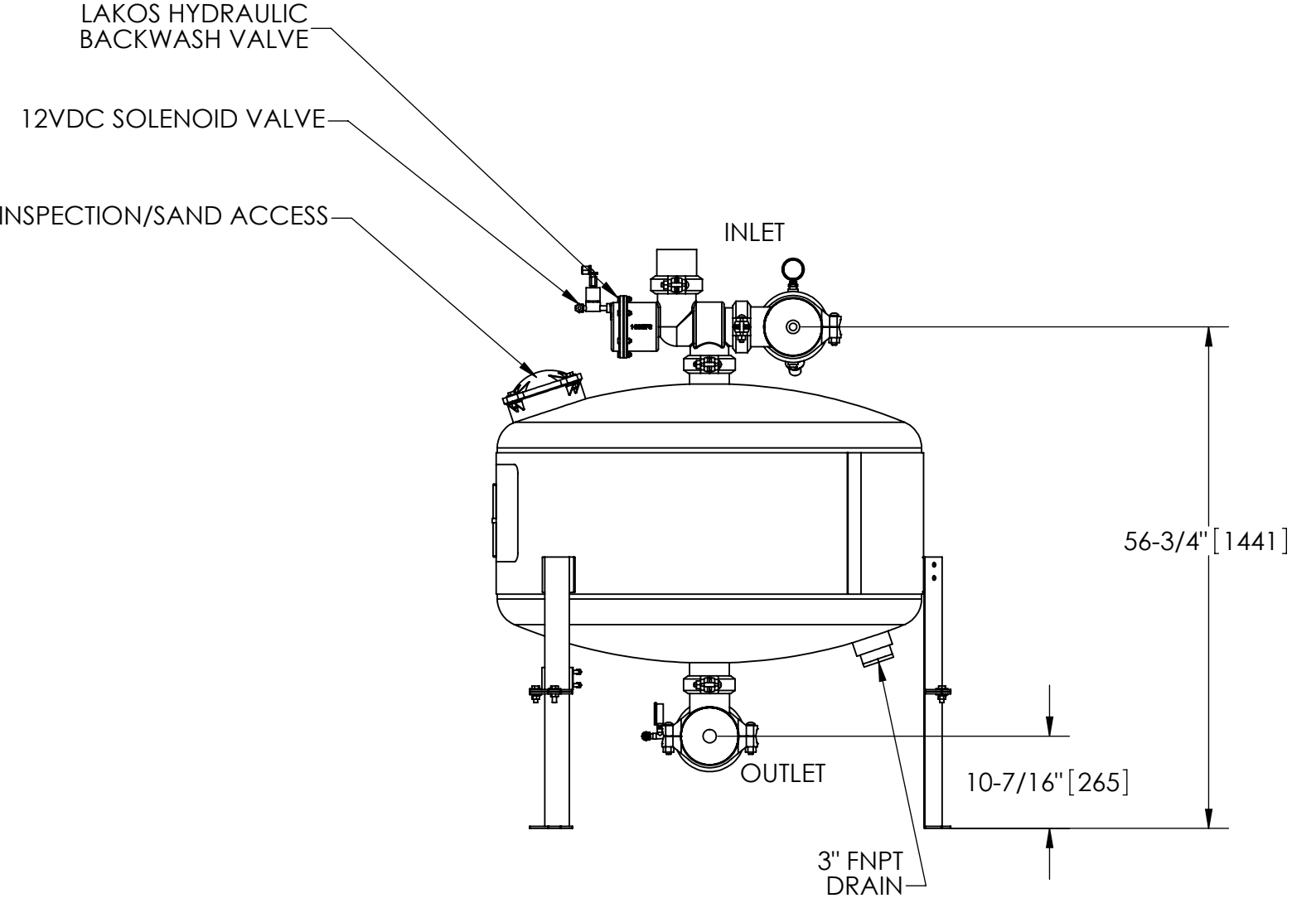
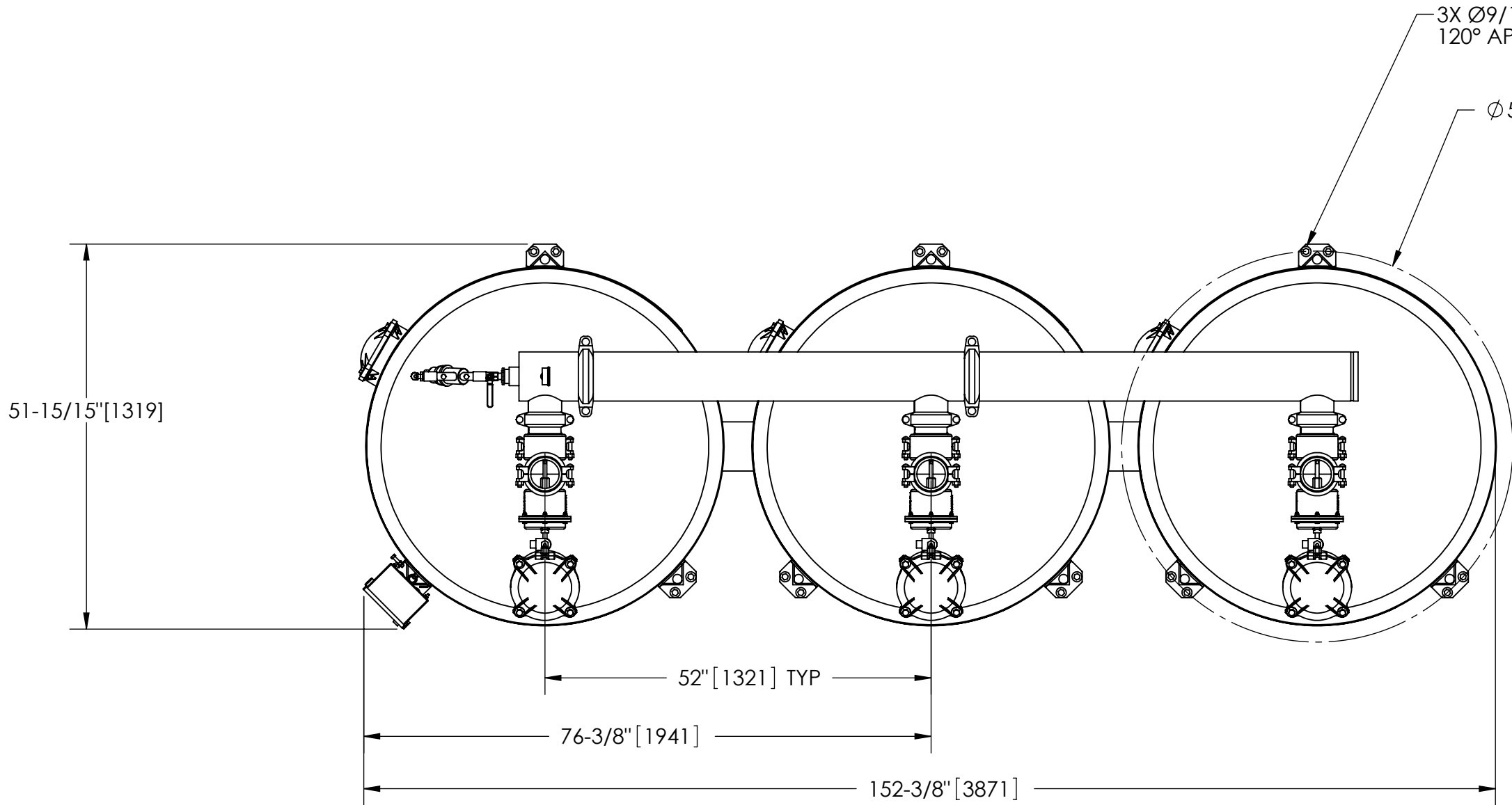
EXCEPT AS OTHERWISE PROVIDED BY CONTRACT, THIS DRAWING AND SPECIFICATIONS SHALL NOT BE REPRODUCED, COPIED OR USED AS THE BASIS FOR MANUFACTURE OR SALE OF MATTER DEPICTED HEREIN WITHOUT THE EXPRESSED WRITTEN PERMISSION OF THE CLAUDE LAVAL CORPORATION, OR ITS ASSIGNEES.

THIS DRAWING HAS BEEN GENERATED AND IS MAINTAINED BY A CAD SYSTEM. CHANGES SHALL ONLY BE INCORPORATED AS DIRECTED BY AN APPROVED ENGINEERING CHANGE ORDER (ECO). PAPER COPIES ARE UNCONTROLLED.

REVISIONS				
ZONE	REV.	DESCRIPTION	DATE	APPROVED

NOTES:

1. INLET & OUTLET ARE 6" GROOVED PIPE.
2. MAXIMUM PRESSURE: 80 psi (5.6 bar).
3. MAXIMUM TEMPERATURE: 100°F (37.8°C).
4. RATED FLOWRATE: 565-940 gpm (128-213 m³/hr).
5. FILTRATION AREA: 37.7 ft² (3.5 m²).
6. MEDIA SAND REQUIREMENT: 3900 lbs (1769 kg).
7. SYSTEM WEIGHT (WITHOUT SAND): 1083 lbs (491 kg).
8. SYSTEM COMPONENTS SHIPPED LOOSE. FINAL ASSEMBLY BY OTHERS.



SIDE VIEW

SUBMITTAL DRAWING

This drawing is submitted for spatial consideration only. Do not pre-plumb to these dimensions.

UNLESS OTHERWISE SPECIFIED: DIMENSIONS ARE IN: INCHES (mm) TOLERANCES ARE: FRACTIONS DECIMALS ANGLES ± 1/4" .XX ± .01 ± 1/4° .XXX ± .005 .XXXX ± .0005		ENGINEERED FOR: STANDARD		CLAUDE LAVAL CORP. FRESNO, CALIFORNIA 93727 WWW.LAKOS.COM		LAVAL UNDERGROUND SURVEYS	
DO NOT SCALE DRAWING	APPROVALS	DATE	TITLE				
MATERIAL PER LAKOS SPEC	DRAWN GroomC	8/21/08	PROII-4806-3A/I, SYSTEM 48" 3 TANK MEDIA, AUTO END FEED				
FINISH AS ASSEMBLED	ENGR	-	SIZE C	MODEL NO.	DWG NO.	REV.	01
	WORK ORDER	QTY.	SCALE 1:18	EST. WT. 1083 lb	SHEET 1 OF 1		