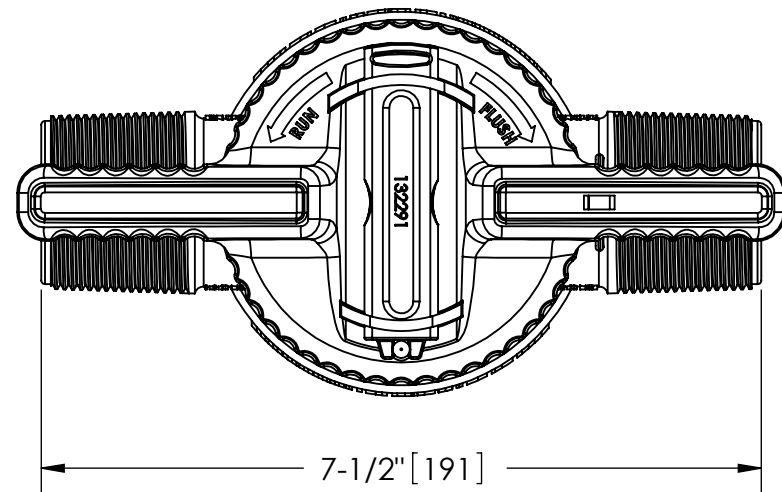


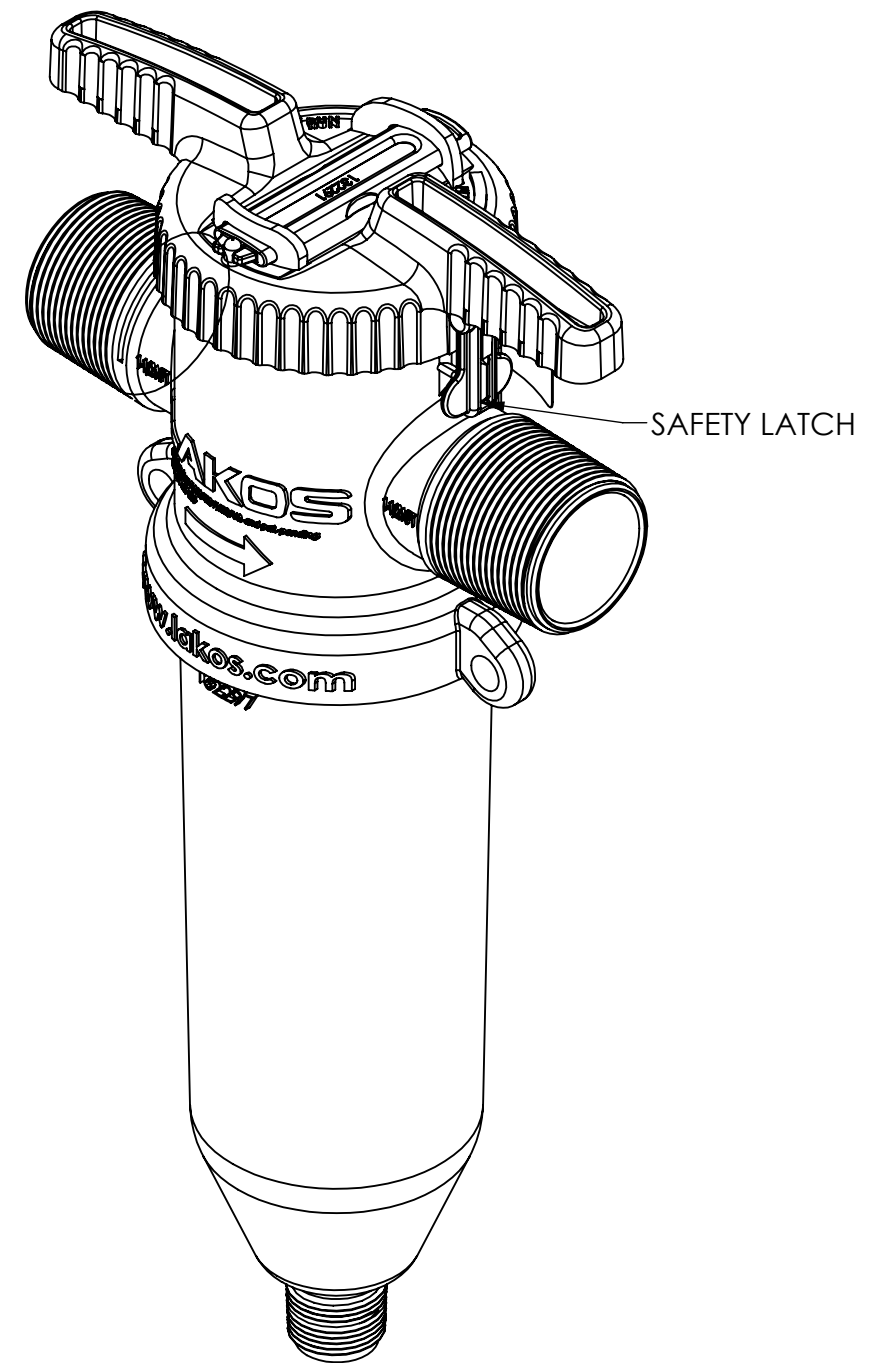
EXCEPT AS OTHERWISE PROVIDED BY CONTRACT, THIS DRAWING AND SPECIFICATIONS SHALL NOT BE REPRODUCED, COPIED OR USED AS THE BASIS FOR MANUFACTURE OR SALE OF MATTER DEPICTED HEREIN WITHOUT THE EXPRESSED WRITTEN PERMISSION OF THE CLAUDE LAVAL CORPORATION, OR ITS ASSIGNEES.

THIS DRAWING HAS BEEN GENERATED AND IS MAINTAINED BY A CAD SYSTEM. CHANGES SHALL ONLY BE INCORPORATED AS DIRECTED BY AN APPROVED ENGINEERING CHANGE ORDER (ECO). PAPER COPIES ARE UNCONTROLLED.

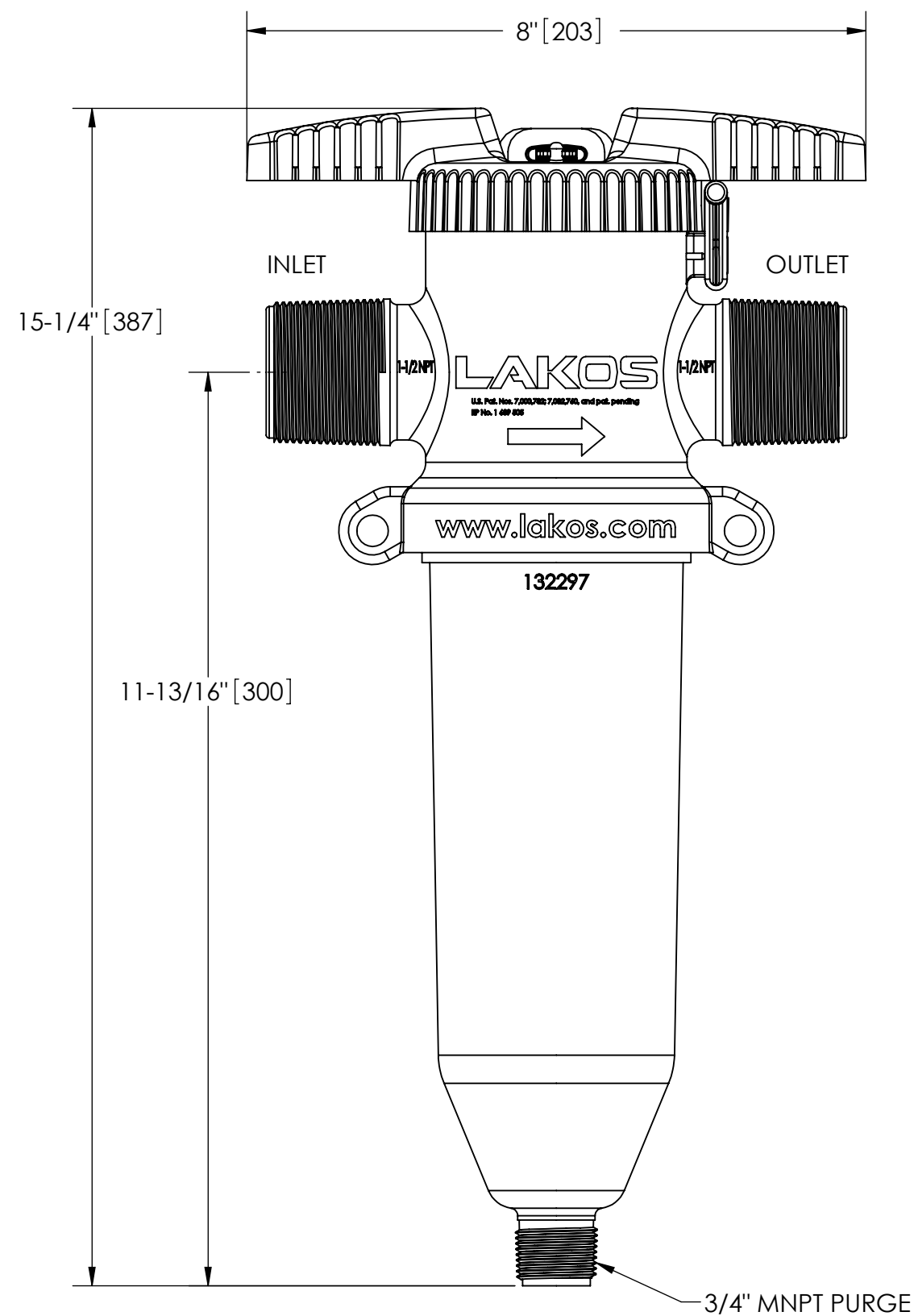
REVISIONS				
ECN	REV.	DESCRIPTION	DATE	APPROVED



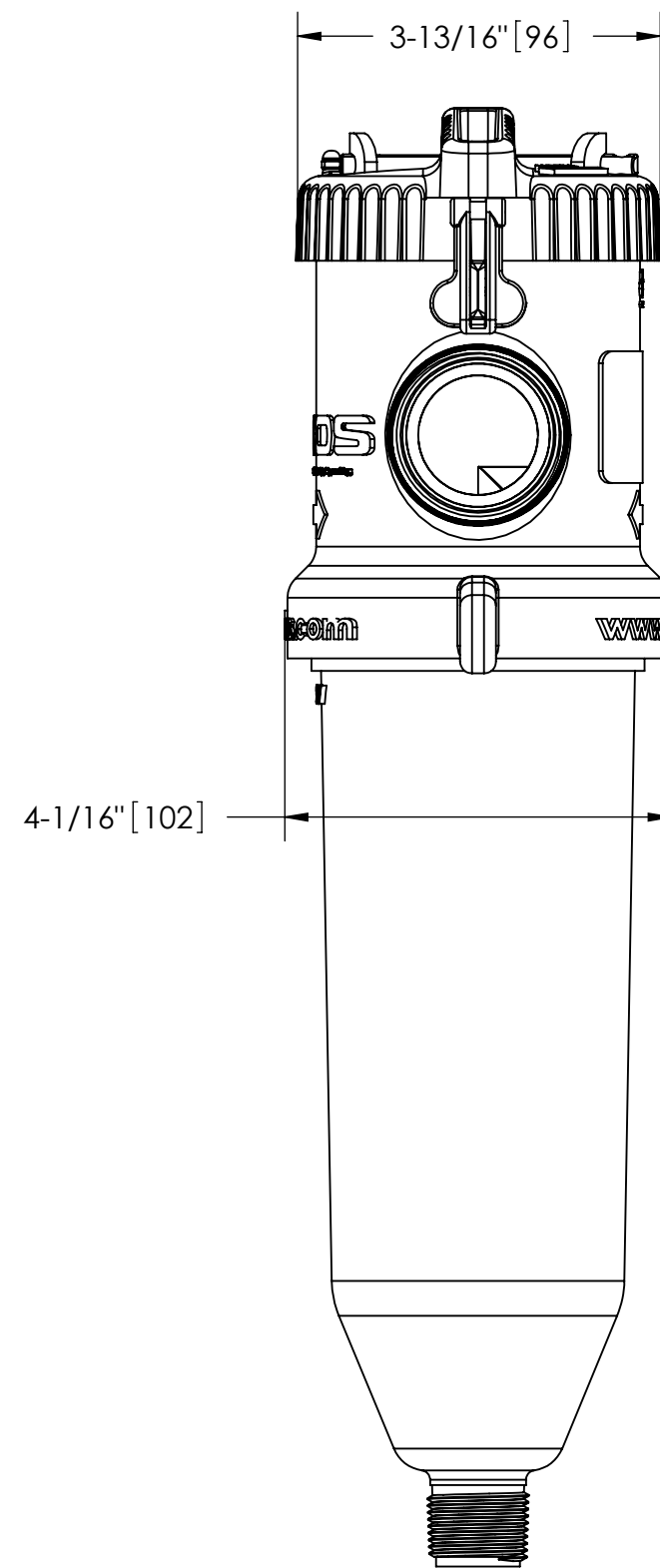
TOP VIEW



ISOMETRIC VIEW



FRONT VIEW



SIDE VIEW

PART NO.	DESCRIPTION
131553	T2C-150-30, TWIST II CLEAN, 1-1/2" NPT. 30 MESH
131554	T2C-150-60, TWIST II CLEAN, 1-1/2" NPT. 60 MESH
131555	T2C-150-100, TWIST II CLEAN, 1-1/2" NPT. 100 MESH
131556	T2C-150-140, TWIST II CLEAN, 1-1/2" NPT. 140 MESH
134216	T2C-150-200 TWIST II CLEAN, 1-1/2" NPT. 200 MESH

SUBMITTAL DRAWING

This drawing is submitted for spatial consideration only. Do not pre-plumb to these dimensions.

UNLESS OTHERWISE SPECIFIED: DIMENSIONS ARE IN: INCHES (mm) TOLERANCES ARE: FRACTIONS DECIMALS ANGLES ± 1/4" .XX ± .01 ± 1/4° XXX ± .005 XXXX ± .0005		ENGINEERED FOR: STANDARD		LAKOS. CLAUDE LAVAL CORP. FRESNO, CALIFORNIA 93727 WWW.LAKOS.COM	
DO NOT SCALE DRAWING		APPROVALS	DATE	TITLE	
MATERIAL SEE NOTE		DRAWN CAG	3/23/11	T2C-150-30, TWIST II CLEAN 1-1/2" NPT, 30 MESH, GLASS FILLED POLY	
FINISH SEE NOTE		ENGR -	-	SIZE C	MODEL NO.
WORK ORDER		MFG -	-	DWG NO.	REV. B
SCALE 1:2		QTY.	EST. WT. 6.33 lb	SHEET 1 OF 1	

DWG. NO. 131553 SHEET REV. B