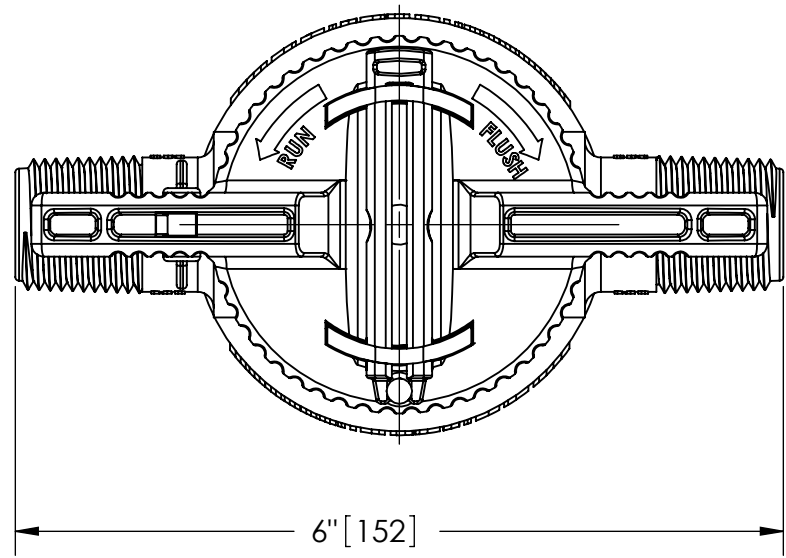


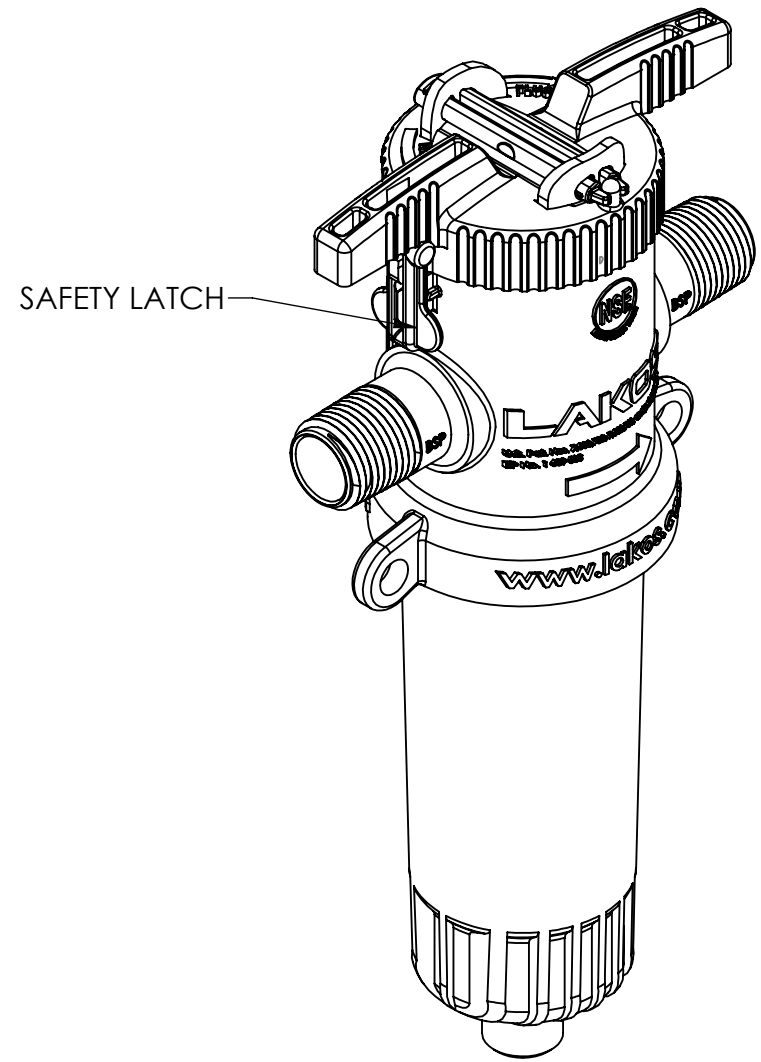
EXCEPT AS OTHERWISE PROVIDED BY CONTRACT, THIS DRAWING AND SPECIFICATIONS SHALL NOT BE REPRODUCED, COPIED OR USED AS THE BASIS FOR MANUFACTURE OR SALE OF MATTER DEPICTED HEREIN WITHOUT THE EXPRESSED WRITTEN PERMISSION OF THE CLAUDE LAVAL CORPORATION, OR ITS ASSIGNEES.

REVISIONS				
ECN	REV.	DESCRIPTION	DATE	APPROVED

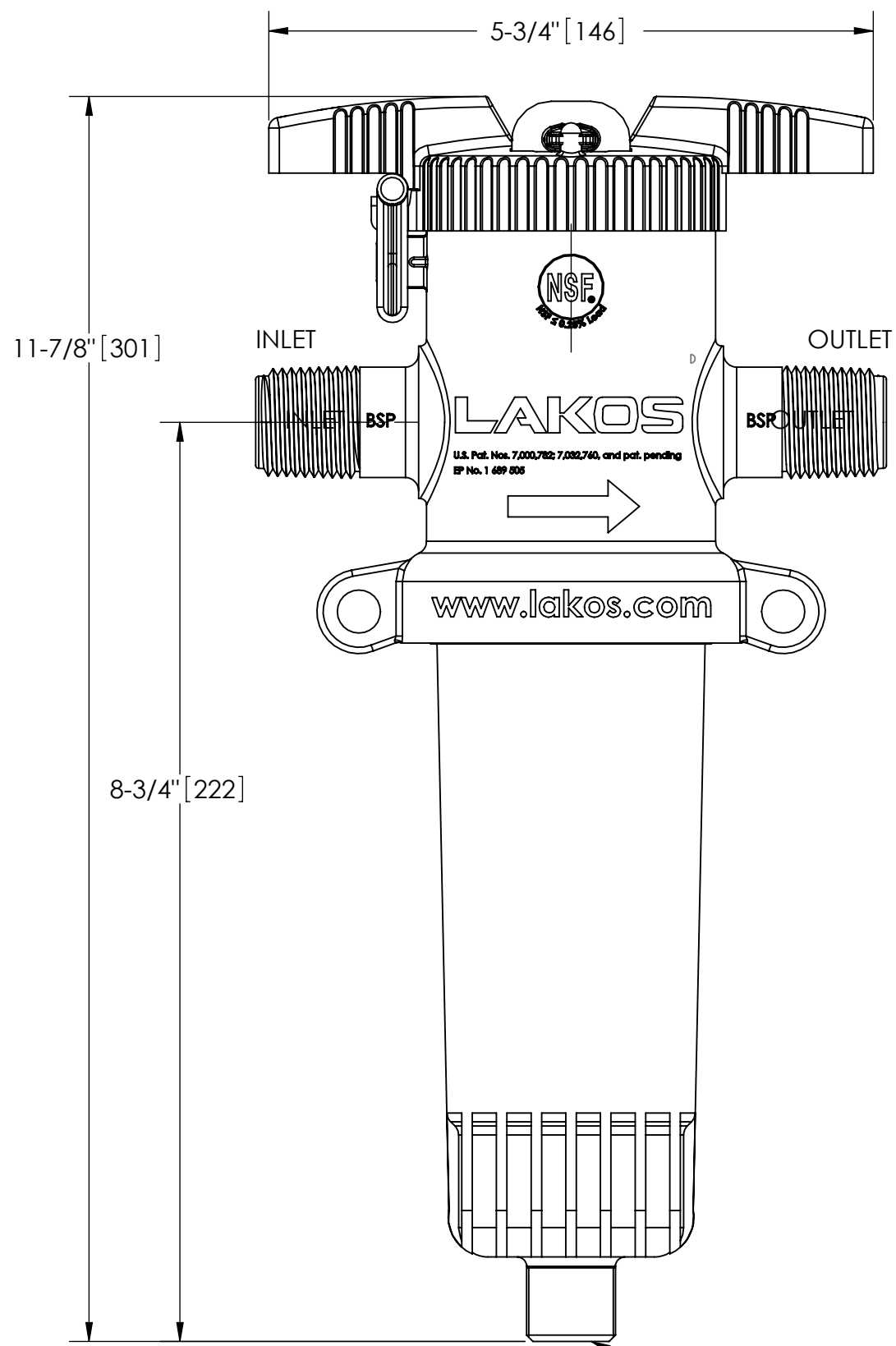
THIS DRAWING HAS BEEN GENERATED AND IS MAINTAINED BY A CAD SYSTEM. CHANGES SHALL ONLY BE INCORPORATED AS DIRECTED BY AN APPROVED ENGINEERING CHANGE ORDER (ECO). PAPER COPIES ARE UNCONTROLLED.



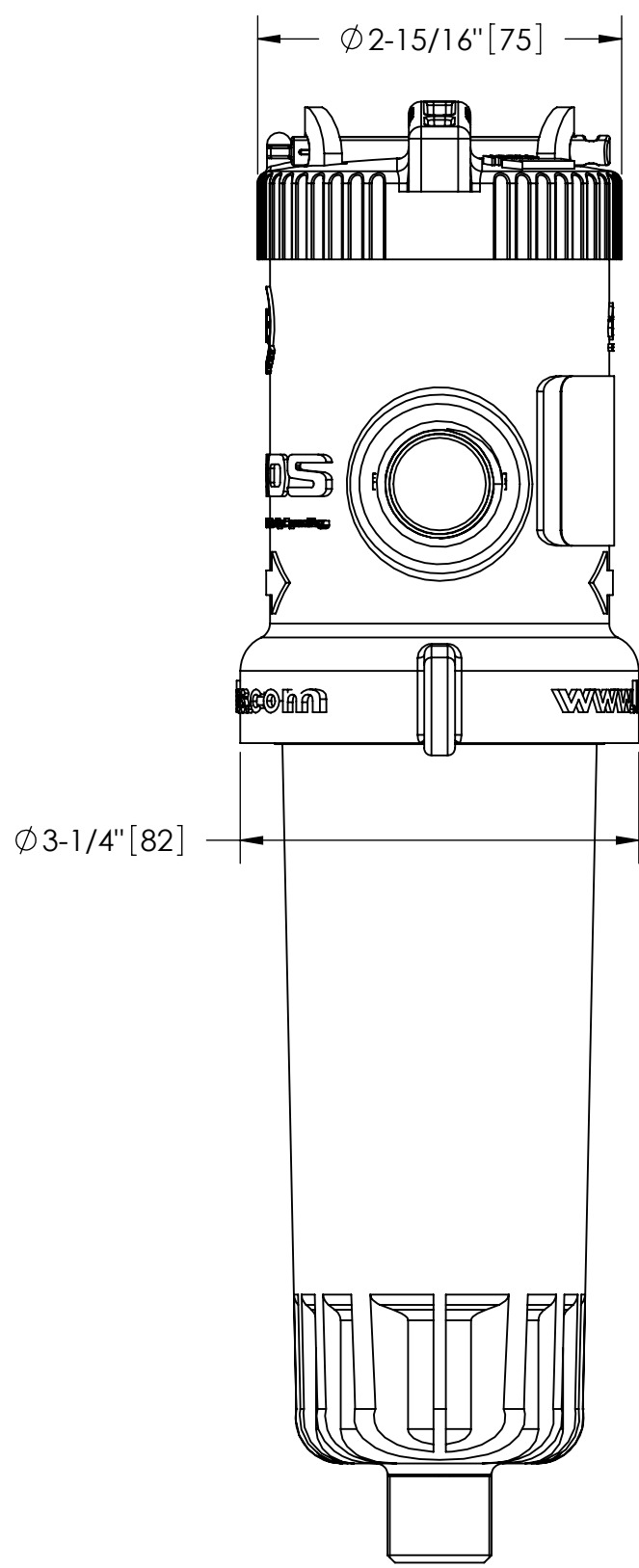
TOP VIEW



ISOMETRIC VIEW



FRONT VIEW



SIDE VIEW

PART NO.	DISCRIPTION
131343	T2C -075-30, TWIST II CLEAN, 3/4" NPT, 30 MESH
131344	T2C -075-60, TWIST II CLEAN, 3/4" NPT, 60 MESH
131345	T2C -075-100, TWIST II CLEAN, 3/4" NPT, 100 MESH
131346	T2C -075-140, TWIST II CLEAN, 3/4" NPT, 140 MESH
134214	T2C -075-200, TWIST II CLEAN, 3/4" NPT, 200 MESH

SUBMITTAL DRAWING

This drawing is submitted for spatial consideration only. Do not pre-plumb to these dimensions.

UNLESS OTHERWISE SPECIFIED: DIMENSIONS ARE IN: INCHES [mm] TOLERANCES ARE: FRACTIONS ± 1/4" DECIMALS .XX ± .01 XXX ± .005 XXXX ± .0005		ENGINEERED FOR: STANDARD		CLAUDE LAVAL CORP. FRESNO, CALIFORNIA 93727 WWW.LAKOS.COM		LAVAL UNDERGROUND SURVEYS	
DO NOT SCALE DRAWING		APPROVALS	DATE	TITLE			
MATERIAL SEE NOTE		DRAWN	SUB	10/10/11	T2C-075-30, TWIST II CLEAN		
FINISH SEE NOTE		ENGR	-	-	3/4" NPT, GLASS FILLED POLY		
		MFG	-	-	SIZE	MODEL NO.	DWG NO.
		WORK ORDER	-	-	C		131343
					SCALE	2:3	EST. WT. 2 lb
					SHEET	1 OF 1	

DWG. NO. 131343 SHEET 1 REV. A